



惠州市慧昊光电有限公司
Huizhou Wisva Optoelectronics Co.,Ltd

Add: 5 Floor, Building 6, science and Technology Park, Longhai three road, Huiyang District, Huizhou

地址: 惠州市惠阳区龙海三路中海科技园 6栋5楼

Tel/Tel: 0752-5288039

Web: <http://www.wisvald.com>

Product Specification

产品规格书

Item No.:

-----HH-NX120F310W24-2835

产品型号: _____

Series: Low Voltage Neon Series

-----产品系列: 低压霓虹灯带

Confirmation/制作	Approval/审核	Audit/确认	Date/日期	Version/版本
			2018/12/20	1.0

Features(特征)

Special Optical Design, 8.33mm LED space, Soft and even light no dark area, good color consistency.
特殊光学设计及配方, 8.33mm灯珠间距, 发光柔和均匀无光斑, 颜色一致性好;

Light, Beautiful and good flexibility to meet complex and ingenious shapes.
美观小巧, 柔韧性好, 满足更复杂, 精巧的造型设计;

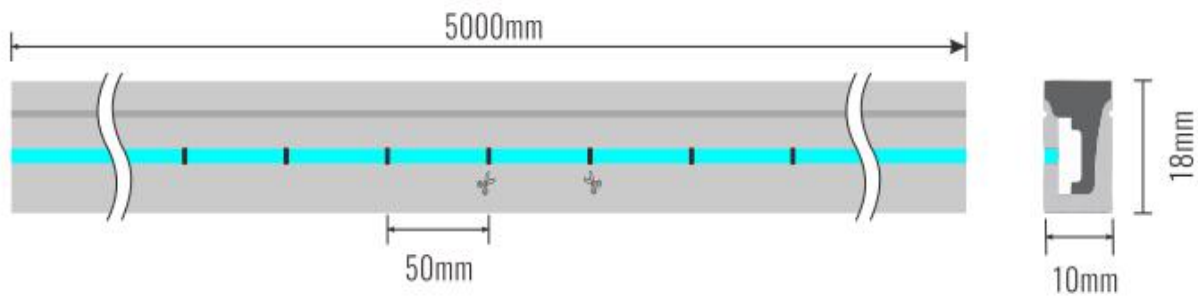
Dual-color silicone tube, environmental-friendly, IP65 rating.
双色硅胶套管, 美观环保, IP65高防护等级;

Food-grade silicone material, safe and good heat dissipation to lower temperature and longer lifespan.
食品级硅胶材质, 安全且导热快, 温度更低, 寿命更长;

Picture(图片)



Dimensions(尺寸)



Specifications(参数)

Item NO. 产品型号	HH-NX120F310W24-2835
Light Source 使用光源	2835
LED Qty/M LED灯数/米	120 Pcs
Input Voltage 输入电压	24Vdc

PCB	10mm, 2oz	
板子	10mm, 2oz	
Power	9.6W/M	
功率	9.6W/M	
CRI	CRI 80+	
显色指数	CRI 80+	
Lumen/LED	22-24Lm/LED	
单颗灯珠流明值	22-24Lm/LED	
Color Temperature	3000K	4000-6000K
色温	3000K	4000-6000K
Brightness	238Lm/M	261Lm/M
亮度	238Lm/M	261Lm/M
Efficiency	24.8Lm/W	27.2Lm/W
光效	24.8Lm/W	27.2Lm/W
Length	5,000 mm	
长度	5,000 mm	
Size	Wdith: 10mm, Height: 18mm	
尺寸	Wdith: 10mm, Height: 18mm	
Cutting Length	50mm	
裁剪长度	50mm	
IP Rating	IP65	
防护等级	IP65	
Lifespan	50,000 H	
工作时长	50,000 H	
Working Temperature	-20°C - 45°C	
工作温度	-20°C - 45°C	
Storage Temperature	-20°C - 65°C	
储存温度	-20°C - 65°C	
Warranty	3 years	
质保	3 years	

* The above measurements of watts, brightness and efficiency allowance tolerance $\pm 10\%$.

* 以上功率和光效允许误差范围是 $\pm 10\%$.

Installation(安装)



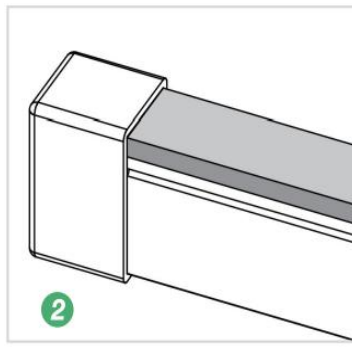
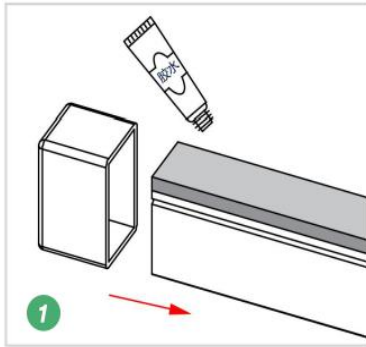
Cutting Process/裁剪步骤

1) Cutting the neon strip according to the mark.

根据标记裁剪霓虹灯带

2) Separate the neon strip.

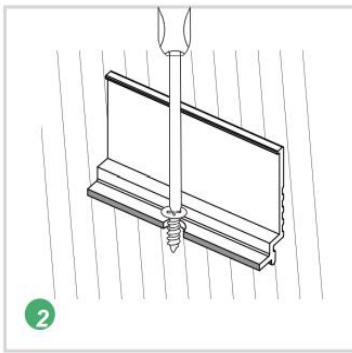
分开霓虹灯带



Seal Process/密封步骤

1) Gluing to fix the end caps.
用胶水去固定堵头

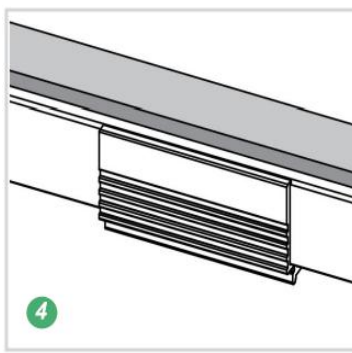
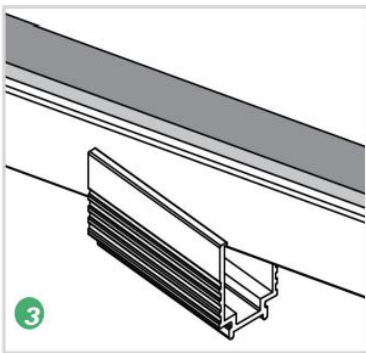
2) Finish sealing.
完成密封



Fix Process/固定步骤

1-2) Using screws to fix the metal clips into the surface.
使用螺丝把金属卡扣固定的表面。

3-4) Press the neon strip into metal clips.
把霓虹灯带压进去金属卡扣。



Attention(注意事项)

Power the neon strips with low voltage 24Vdc.

使用低压直流24V给霓虹灯带供电。

For better protection, if neon strip were used outdoor, please do protection for the power supply and connection parts, do not expose the power supply and connection parts to the damp.

为达到良好的防护效果, 产品如使用与户外, 请注意对电源、电源和灯带连接处及灯带尾部做好防护, 切勿将电源及电源和灯带连接处置于水中。

Cut the neon strip according to the markings in the strip, please seal the strips after cutting in case of water or electric leakage, Wisva do not responsible for these acts.

按裁剪标识裁剪, 裁剪后应好相应防护处理, 否则造成的渗水、漏电, 公司概不负责。

During installation, please match the polarities and use the accessories provided by Wisva.

裁剪后安装时注意灯带正负极与电源正负极对应极, 并使用本公司原装堵头配件及胶水做好防护处理。

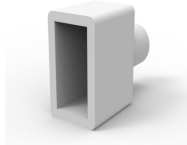
To ensure the brightness and color consistency, the max installation length is 10 meters by powering on one side, better used inside aluminum profiles to prolong the lifespan.

为保证产品首尾亮度及颜色的一致性, 单端供电建议连接长度 $\leq 10M$, 为保证产品散热及寿命推荐配合型材使用.

Most of the power supply has a output efficiency between 80%-95%, so please make sure the total watts of neon strip should be less than 80% watts of the power supply.

通常电源的输出功率只有在80%-95%, 选择电源时, 应注意灯带的输出功率必须小于电源额定功率的80%.

Accessories(配件)



End Caps(堵头)



End Caps(堵头)

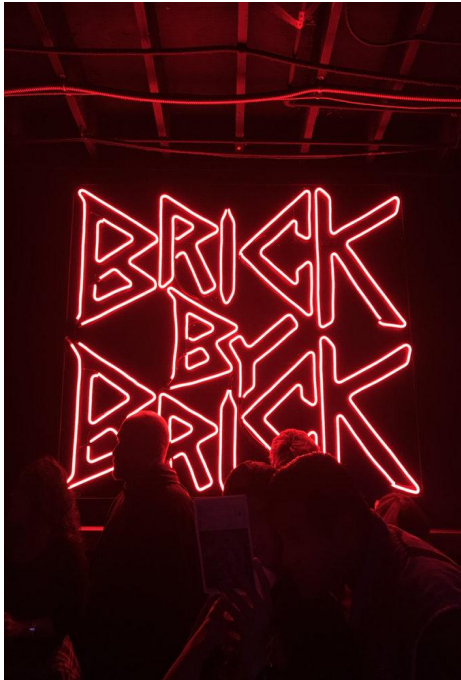


Clips(卡扣)

Applications(应用)

This product greatly used in supplementary, indirect lighting; used a lot in decorations and lighting projects; alsoused as linear light source, advertisement signs and words.

本产品可应用于辅助/间接照明, 墙体轮廓勾勒等室内外装饰亮化, 也可作为线条灯光源使用, 广告标识和发光字.



X-ON Electronics

Largest Supplier of Electrical and Electronic Components

Click to view similar products for [LED Lighting Bars and Strips](#) category:

Click to view products by [WISVA OPTOELECTRONICS](#) manufacturer:

Other Similar products are found below :

[ZLF0310W62524](#) [LF1D-F2F-2W-300](#) [00215258](#) [HH-SWW320F010W12-COB IP20](#) [HH-SWW320F010W24-COB IP20](#) [HH-SWW528F210W12-COB IP65](#) [HH-SG528F010W24-COB IP20](#) [LF2D-EN2F-2W-A](#) [LFBHL-SW827-24V-8S63-20](#) [N006120BC1LZ \(GOLDEN YELLOW\)](#) [S010060CB1LZ \(NEUTRAL WHITE IP65\)](#) [S010060CC1LZ \(WARM WHITE IP65\)](#) [2633830000](#) [HH-SX72F008W24-2835 CW WHITE PCB IP20](#) [HH-SX180F010W24 -2835 WW WHITE PCB IP20](#) [HH-SX72F008W24-2835 NW WHITE PCB IP20](#) [HH-SX144F008W24 -2835 NW WHITE PCB IP20](#) [HH-SX180F010W24 -2835 NW WHITE PCB IP20](#) [HH-SX144F008W24 -2835 CW WHITE PCB IP20](#) [HH-SX144F008W24 -2835 WW WHITE PCB IP20](#) [HH-SX180F010W24 -2835 CW WHITE PCB IP20](#) [N008120BB1LZ \(BLUE\)](#) [00219015](#) [10001611](#) [10001612](#) [10001613](#) [10001617](#) [10001618](#) [10001619](#) [10001622](#) [10001623](#) [10001655](#) [10001657](#) [10001664](#) [10001670](#) [10001675](#) [10001681](#) [10001683](#) [10001690](#) [PUUA-100LLL-NK2P](#) [QAUR1161L030](#) [HC-F12V-3535 PCBA](#) [HC-F12V-F50-3L-WS2811](#) [HC-F12V-WS2811-3535](#) [HC-F5V-144L-144LED-B-WS2813 IP20](#) [HC-F5V-144L-144LED-B-WS2813 IP65](#) [HC-F5V-144L-144LED-W-WS2813 IP20](#) [HC-F5V-30L-30LED-B-WS2813 IP20](#) [HC-F5V-30L-30LED-W-WS2813 IP20](#) [HC-F5V-60L-60LED-B-WS2813 IP20](#)