



Huizhou Wisva Optoelectronics Co.,Ltd

惠州市慧昊光电有限公司

Add: 5 Floor, Building 6, science and Technology Park, Longhai three road, Huiyang District, Huizhou China

地址: 惠州市惠阳区龙海三路中海科技园 6栋5楼

Tel/Tel: 0752-5288039

Web: www.wisvaled.com www.wisvaled.net

# Product Specification

产品规格书

Item No.:

HH-SX120F010WXX-2835

产品型号:

Series: 2835 Series

产品系列: 2835 系列

Confirmation/制作	Approval/审核	Audit/确认	Date/日期	Version/版本
Eng. Harry D	何俊远	林延安	10月15日	1.0

## Features(特征)

Using SMD 2835 22-24Lm as light source, stable, high efficiency and high brightness.

使用SMD 2835 22-24Lm灯珠作为光源, 稳定, 光效高, 亮度高.

Low voltage 12V or 24Vdc input, PWM, 0/1-10V and DALI dimming ways supported.

低压12或24Vdc输入, 支持PWM, 0/1-10V和DALI等调光方式.

Ra 80, Ra90 and Ra95+ all available.

Ra80, Ra90和Ra95+可选.

CE, Rohs and UL listed.

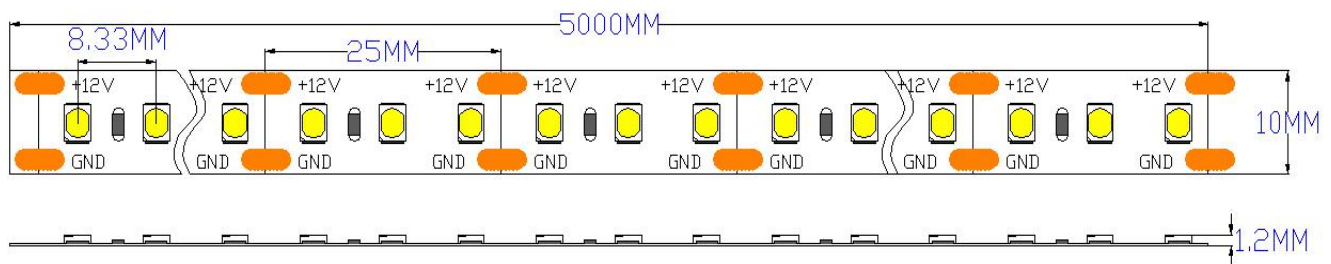
CE, Rohs 和UL认证.

## Picture(图片)

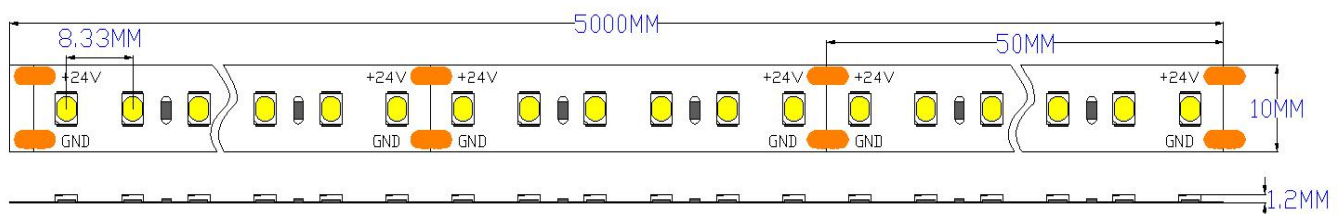


## Dimensions(尺寸)

12Vdc



24Vdc



## Specifications(参数)

Item NO.	HH-SX120F010WXX-2835
产品型号	HH-SX120F010WXX-2835
LED Chip/Meter	120
LED芯片/数量	120

Input Voltage 输入电压	DC 12V		DC 24V
Cutting Length 裁剪长度	25mm		50mm
PCB 板子	10mm, 3oz		
Ra 显色指数	80+		
Power 功率	20W/m		
Colors 颜色	2700K	3000K	4000-6500K
Brightness 亮度	1834Lm/M	1916Lm/M	2116Lm/M
Efficiency 光效	91.7Lm/W	95.8Lm/W	105.8Lm/W
Length 长度	5,000 mm		
Size 尺寸	Wdith: 10mm, Height: 1.2mm		
Lifespan 工作时长	50,000 H		
Working Temperature 工作温度	-20°C - 50°C		
Storage Temperature 储存温度	-20°C - 65°C		
Warranty 质保	3 years		

\* The above measurements of watts, brightness and efficiency allowance tolerance  $\pm 10\%$ .

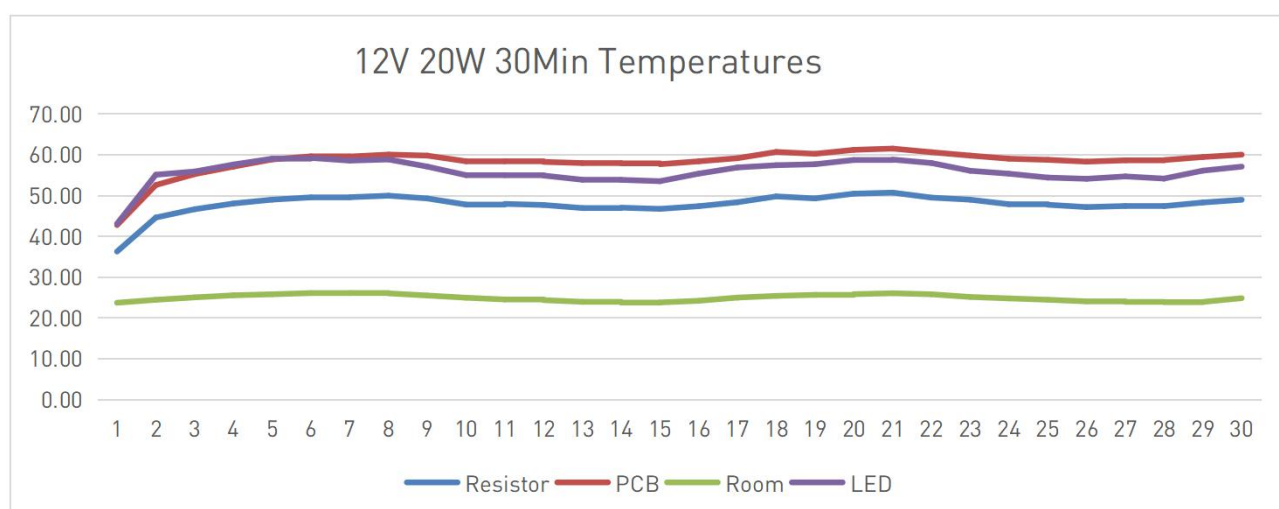
\* 以上功率和光效允许误差范围是  $\pm 10\%$ .

\* The above measurements are based on IP20 and Ra80.

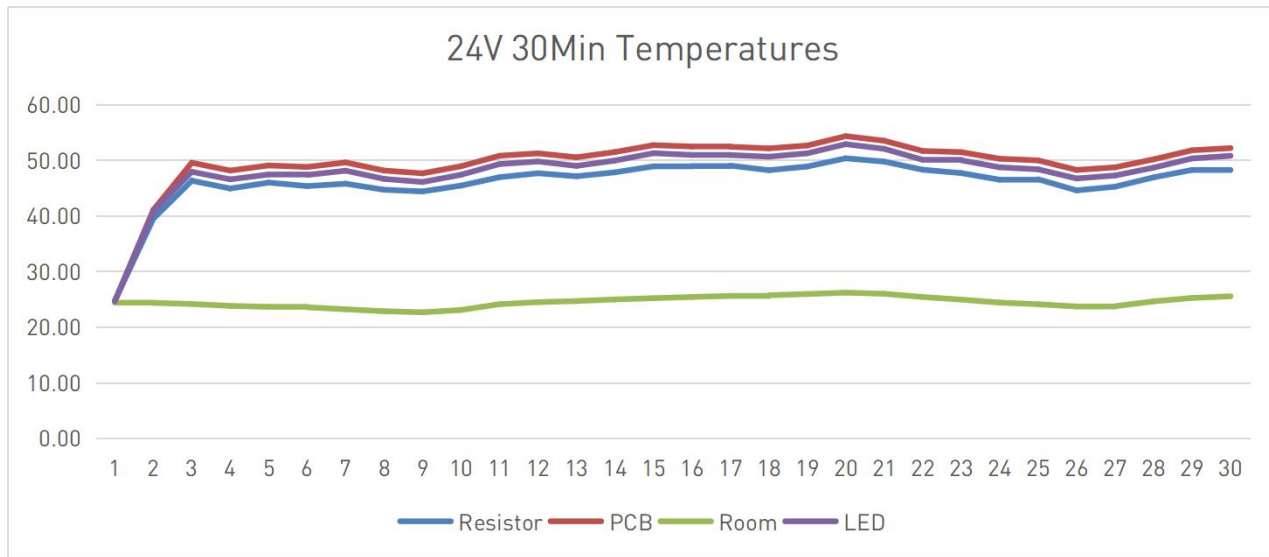
以上测量均基于IP20和Ra80.

## Temperature Curve(温升曲线)

12Vdc



24Vdc



### Brightness Consistency(亮度一致性)

The following charts shows the voltage, lumen and brightness drop on each meter.

以下表格展示每一米上的是电压，流明和亮度差

#### 12Vdc

Chart1, Based on 5m Running/表格1, 基于5米连接长度.

Length	1M	2M	3M	4M	5M
Voltage	11.01	10.39	9.93	9.69	9.66
Lumen	1766.29	1470.35	1250.79	1136.23	1121.91
Drop	0.00%	-16.75%	-29.19%	-35.67%	-36.48%

Chart2, Based on 4m Running/表格2, 基于4米连接长度.

Length	1M	2M	3M	4M
Voltage	11.08	10.54	10.25	10.24
Lumen	1799.71	1541.95	1403.53	1398.76
Drop	0.00%	-14.32%	-22.01%	-22.28%

From above charts, for better brightness consistency, the recommend length is 4m for powering on one side.

基于以上数据, 为了更好的亮度一致性, 推荐单端供电时的安装长度为4米

#### 24Vdc




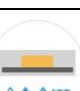
Chart1, Based on 5m Running/表格1, 基于5米连接长度.

Length	1M	2M	3M	4M	5M
Voltage	23.3	22.73	22.35	22.1	22.08
Lumen	2046.13	1911.46	1821.69	1762.63	1757.90
Drop	0.00%	-7.04%	-12.32%	-16.08%	-16.40%

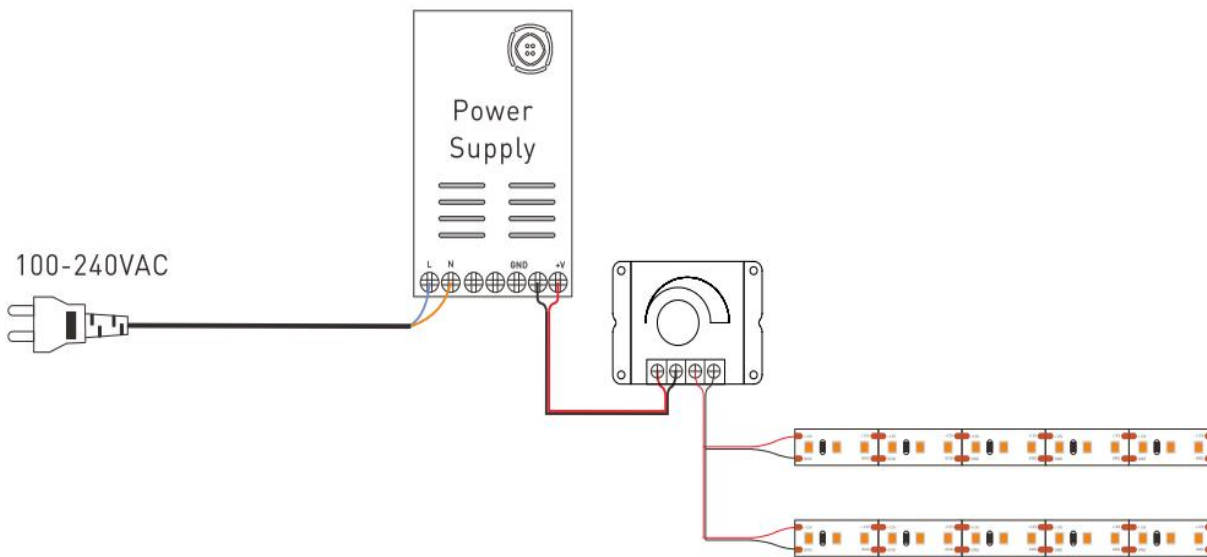
From above charts, for better brightness consistency, the recommend length is 5m for powering on one side.

基于以上数据, 为了更好的亮度一致性, 推荐单端供电时的安装长度为5米

## Waterproof Ways(防水方式)

Waterproof Ways	IP Rating	Details
防水方式	防水等级	细节说明
	IP54	PU or Silicone glue on the surface of the led strips. 表面滴PU或者硅胶
	IP65	Heat Shrink tube or Silicone tube for led strips. 热缩套管或者硅胶套管防水
	IP67	Hollow integrated silicone glue. 挤出型硅胶防水, 中空
	IP68	Solid Integrated Silicone glue, or silicone glue with silicone tube 挤出型一体化硅胶防水, 实心; 或者灌胶(硅胶套管里加硅胶)

## Installation Ways(安装方式)



\* When powering on one side, for 12Vdc, the recommend installation length is 4m; for 24Vdc, the recommend installation length is 5m; if require running longer, please connect them in parallel.

单端供电时, 12V的推荐安装长度是4米, 24V的推荐安装长度是5米, 如果需要连接更长, 推荐使用并联安装.

\* Please match the markings '+' and '-' in the PCB during wiring.

请根据PCB板子上的 '+' 和 '-' 来连接

\* Better use aluminum profiles to help heat dissipation and reach better linear lighting effects.

推荐使用铝材去辅助散热, 达到更好的线条效果.

\* Please power the LED strip with correct input voltage, do not use any AC power source to power the LED strip.

请使用正确的输入电压去连接灯带, 不要连接到任何交流电源.

## Applications(应用)

\* Used in linear lights as lighting source; used for indoor decorations.

作为线条灯条光源, 用作室内室外的装饰.



## Package(包装)

①) 5 meters per roll.

5米一卷.

②) Each roll packed with anti-static bags, and label on it.

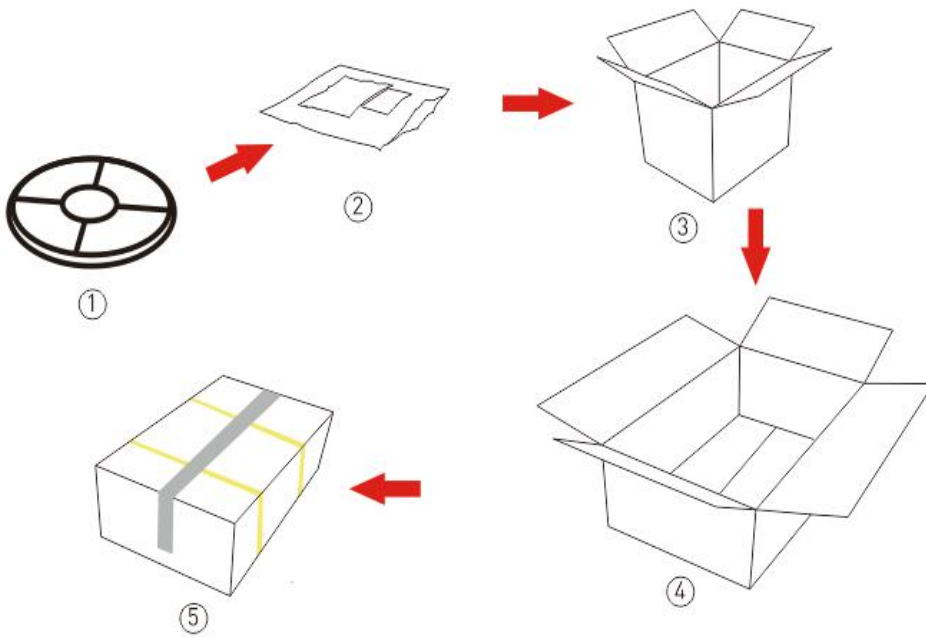
每一卷放入静电袋中, 静电袋表面贴标签.

③) 25 rolls into a small box.

25卷放入一个小箱子中.

④-⑤) 2 small boxes into a large carton 520\*320\*300mm.

2个小箱放入一个大箱520\*320\*300mm.



## X-ON Electronics

Largest Supplier of Electrical and Electronic Components

*Click to view similar products for [LED Lighting Bars and Strips](#) category:*

*Click to view products by [WISVA OPTOELECTRONICS](#) manufacturer:*

Other Similar products are found below :

[ZLF0310W62524](#) [LF1D-F2F-2W-300](#) [00215258](#) [HH-SWW320F010W12-COB IP20](#) [HH-SWW320F010W24-COB IP20](#) [HH-SWW528F210W12-COB IP65](#) [HH-SG528F010W24-COB IP20](#) [LF2D-EN2F-2W-A](#) [10001622](#) [LFBHL-SW827-24V-8S63-20](#) [LFBHL-SW860-24V-8S63-20](#) [LFBHL-SW940-24V-8S63-20](#) [HH-SRGB60F010W24-5050M](#) [N006120BB1LZ \(BLUE\)](#) [N006120BB1LZ \(GREEN\)](#) [N006120BB1LZ \(RED\)](#) [N006120BC1LZ \(BLUE\)](#) [N006120BC1LZ \(GREEN\)](#) [N006120BC1LZ \(GOLDEN YELLOW\)](#) [N006120BC1LZ \(RED\)](#) [S010030CB3SB7](#) [S010030CB3SB7 \(BLACK PCB\)](#) [S010060CB1LZ \(NEUTRAL WHITE IP65\)](#) [S010060CB1LZ \(WARM WHITE IP65\)](#) [S010060CB3SB7](#) [S010060CC1LZ \(WARM WHITE IP65\)](#) [S012060CB4ST \(BLACK PCB\)](#) [2633830000](#) [HH-SX72F008W24-2835 CW WHITE PCB IP20](#) [HH-SX180F010W24 -2835 WW WHITE PCB IP20](#) [HH-SX72F008W24-2835 NW WHITE PCB IP20](#) [HH-SX144F008W24 -2835 NW WHITE PCB IP20](#) [HH-SX180F010W24 -2835 NW WHITE PCB IP20](#) [HH-SX144F008W24 -2835 CW WHITE PCB IP20](#) [HH-SX144F008W24 -2835 WW WHITE PCB IP20](#) [HH-SX180F010W24 -2835 CW WHITE PCB IP20](#) [N008120BB1LZ \(BLUE\)](#) [S010060CA3SA1](#) [SCS-120-CW](#) [00219015](#) [10001611](#) [10001612](#) [10001613](#) [10001617](#) [10001618](#) [10001619](#) [10001623](#) [10001655](#) [10001657](#) [10001664](#)