



Huizhou Wisva Optoelectronics Co.,Ltd

惠州市慧昊光电有限公司

Add: 5F, Bld 6, Zhonghai Science Park, Dayawan West District, Huizhou China 516083

地址: 惠州市大亚湾西区中海科技(惠州工业园)6号厂房5楼

Tel/Tel: 0752-5288019

Web: www.wisvaled.com/www.wisvaled.net

Product Specification

产品规格书

Item No.:

HH-SRGB840F010W24-COB

产品型号:

Series: COB Series

产品系列: COB 系列

Confirmation/制作	Approval/审核	Audit/确认	Date/日期	Version/版本
何俊远	林延安		11月10日	1.0

Features(特征)

Using mini 0402 LED as light source, and glue on surface to make the lights more evenly and uniform.
使用迷你0402作为光源, 表面使用胶水覆盖让发光更加均匀一致.

Up to 840 LEDs each meter, only 3.57mm distance between same color LEDs.
1米高达840颗芯片, 相同颜色的芯片间距只有3.57mm

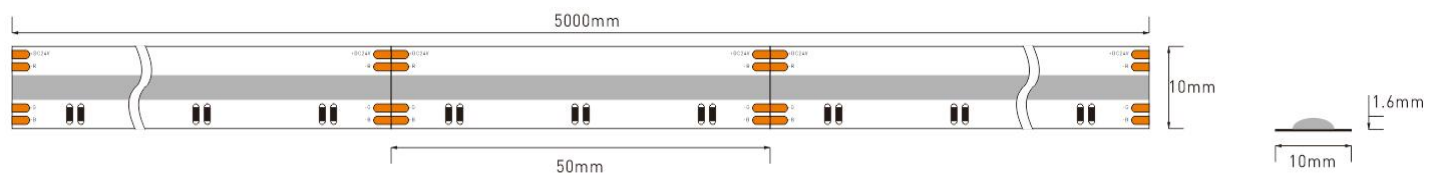
Double layer FPC, balancing the voltage dropping, heat dissipation and flexibility.
双面FPC, 兼顾产品压降、散热及柔性

Compatible with most of the RGB controllers in the markets.
兼容市面上大部分的RGB控制器

Picture(尺寸)



Dimensions(尺寸)



Specifications(参数)

Item NO. 产品型号	HH-SRGB840F010W24-COB			
Input Voltage 输入电压	24V			
PCB 板子	10mm, white			
Colors 颜色	Red	Green	Blue	Mixed White
LED Chip/Meter LED芯片/数量	280	280	280	\
Power 功率	5	5	5	15

Efficiency 光效	23Lm/W	65Lm/W	15Lm/W	31Lm/W
Brightness 亮度	115Lm/m	325Lm/m	75Lm/m	465Lm/m
Length 长度	5 meters			
Size 尺寸	Width: 10mm; Height: 1.6mm			
Cutting Length 裁剪长度	50mm			
Lifespan 工作时长	50,000 H			
Working Temperature 工作温度	-20°C - 40°C			
Storage Temperature 储存温度	-20°C - 45°C			
Warranty 质保	3 years			

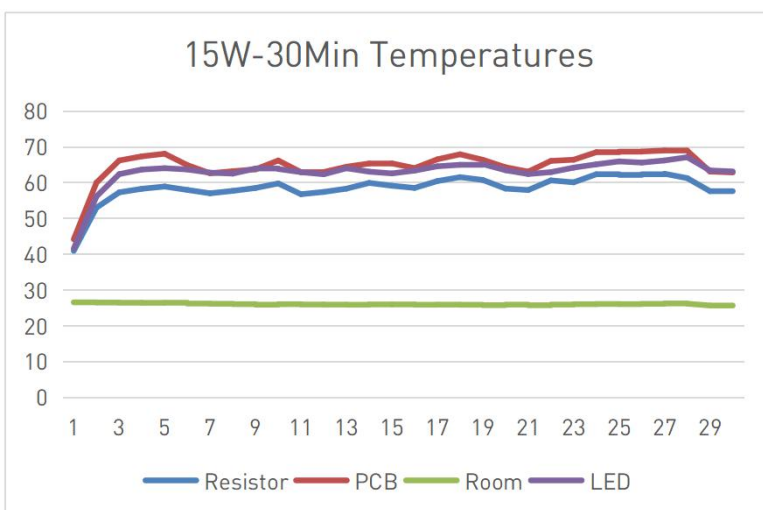
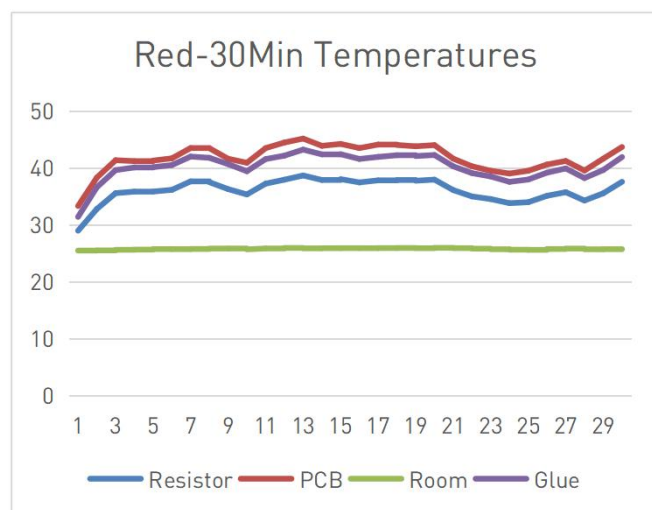
* The above measurements of watts, brightness and efficiency allowance tolerance $\pm 10\%$.

* 以上功率和光效允许误差范围是 $\pm 10\%$.

* The above measurements are based on IP20.

以上测量均基于IP20.

Temperature Curve(温升曲线)



* The above curves shows the components' temperatures changes according to the time, after powering within 30 minutes.

以上曲线表示通电之后30分钟之内, 各个电阻元件的温度随着时间的变化情况.

* The x-axis shows the time from 1st min to 30th min.

x轴表示温度从第1分钟到第30分钟.

* The y-axis shows the changes of Resistor, PCB, Glue and Room.

y轴表示电阻, PCB, 胶水和室温的变化情况.

Brightness Consistency(亮度一致性)

The following charts shows the voltage, lumen and brightness drop on each meter.

以下表格展示每一米上的是电压，流明和亮度差


Chart1, Based on 5m Running/表格1, 基于5米连接长度.

Length	1M	2M	3M	4M	5M
Voltage	23.03	22.34	21.78	21.58	21.53
Lumen	428.34	394.74	367.48	357.74	355.30
Drop	0.00%	-7.84%	-14.21%	-16.48%	-17.05%

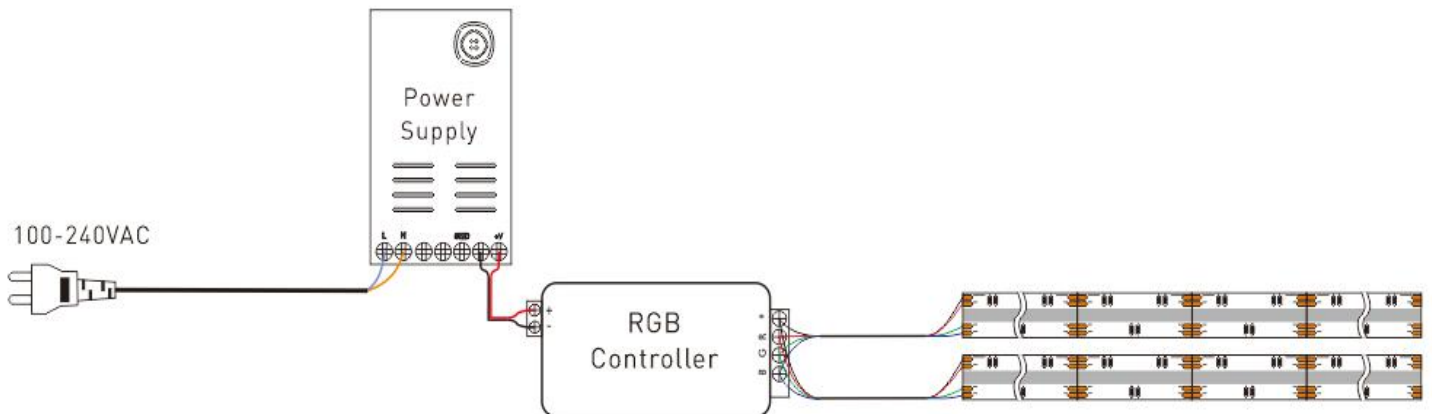
From above charts, for better brightness consistency, the recommend length is 5m for powering on one side.

基于以上数据, 为了更好的亮度一致性, 推荐单端供电时的安装长度为5米

Waterproof Ways(防水方式)

Waterproof Ways	IP Rating	Details
防水方式	防水等级	细节说明
	IP65	Injected with Silicone Tube or Heat Shrink Tube 硅胶套管防水或者热缩套管防水

Installation Ways(安装方式)



* The recommend running length is 5 meters, for over 5 meters please connect in parallel.

推荐连接长度为5m, 超过5m, 请并联.

* Make sure of the total watts of COB Strip lights is less than 80% of the power supply's max output.

确保灯带的总的功率小于电源输出功率的80%.

* Match the polarities according to the mark ('+' and '-') in the PCB while connecting.

连接时, 请对准PCB板上标注的极性.

Applications(应用)

* Residential lighting, decorative lighting.

住宅照明, 装饰照明.



Package(包装)

①) 5 meters per roll.

5m一卷.

②) Each roll packed with anti-static bags, and label on it.

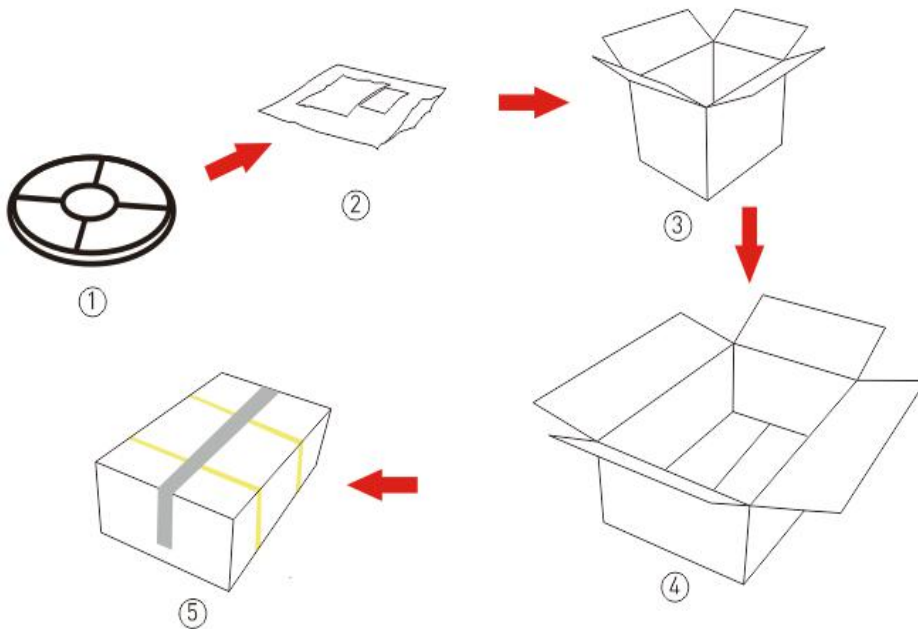
每一卷放入静电袋中, 静电袋表面贴标签.

③) 25 rolls into a inner box(30cm x 24cm x 26cm).

25卷放入一个内箱中(30cm x 24cm x 26cm).

④-⑤) 2 inner boxes into a large carton (50cm*30cm*29cm).

2个小箱放入一个大箱.



X-ON Electronics

Largest Supplier of Electrical and Electronic Components

Click to view similar products for [LED Lighting Bars and Strips](#) category:

Click to view products by [WISVA OPTOELECTRONICS](#) manufacturer:

Other Similar products are found below :

[ZLF0310W62524](#) [LF1D-F2F-2W-300](#) [00215258](#) [HH-SWW320F010W12-COB IP20](#) [HH-SWW320F010W24-COB IP20](#) [HH-SWW528F210W12-COB IP65](#) [HH-SG528F010W24-COB IP20](#) [LF2D-EN2F-2W-A](#) [10001622](#) [LFBHL-SW827-24V-8S63-20](#) [LFBHL-SW860-24V-8S63-20](#) [LFBHL-SW940-24V-8S63-20](#) [HH-SRGB60F010W24-5050M](#) [N006120BB1LZ \(BLUE\)](#) [N006120BB1LZ \(GREEN\)](#) [N006120BB1LZ \(RED\)](#) [N006120BC1LZ \(BLUE\)](#) [N006120BC1LZ \(GREEN\)](#) [N006120BC1LZ \(GOLDEN YELLOW\)](#) [N006120BC1LZ \(RED\)](#) [S010030CB3SB7](#) [S010030CB3SB7 \(BLACK PCB\)](#) [S010060CB1LZ \(NEUTRAL WHITE IP65\)](#) [S010060CB1LZ \(WARM WHITE IP65\)](#) [S010060CB3SB7](#) [S010060CC1LZ \(WARM WHITE IP65\)](#) [S012060CB4ST \(BLACK PCB\)](#) [2633830000](#) [HH-SX72F008W24-2835 CW WHITE PCB IP20](#) [HH-SX180F010W24 -2835 WW WHITE PCB IP20](#) [HH-SX72F008W24-2835 NW WHITE PCB IP20](#) [HH-SX144F008W24 -2835 NW WHITE PCB IP20](#) [HH-SX180F010W24 -2835 NW WHITE PCB IP20](#) [HH-SX144F008W24 -2835 CW WHITE PCB IP20](#) [HH-SX144F008W24 -2835 WW WHITE PCB IP20](#) [HH-SX180F010W24 -2835 CW WHITE PCB IP20](#) [N008120BB1LZ \(BLUE\)](#) [S010060CA3SA1](#) [SCS-120-CW](#) [00219015](#) [10001611](#) [10001612](#) [10001613](#) [10001617](#) [10001618](#) [10001619](#) [10001623](#) [10001655](#) [10001657](#) [10001664](#)