

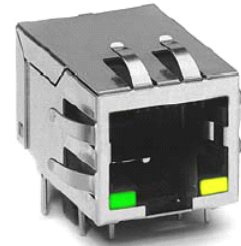


## SINGLE RJ45 CONNECTOR MODULE WITH 10/100 BASE-TX MAGNETICS AND LEDS

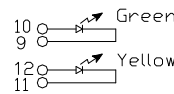
**P/N: J1B1211CCD**

### Feature

- Suitable for CAT 5 & 6 Fast Ethernet Cable or better UTP.
- Meets or exceeds IEEE 802.3 standard for 100 Base-T.
- 350  $\mu$ H minimum OCL with 8 mA bias current.
- Minimum 1500 Vrms isolation per IEEE 802.3 requirement.
- All materials are RoHS and UL94-V0 compliant.
- RoHS peak solder rating 260°C.
- Meet EN60950-1 basic insulation requirement.
- Recommended panel.



Part Number	9,10 (Left Led)	11,12 (Right Led)
2	Green	Yellow



Electrical Specifications @ 25°C						
Part Number	Turns Ratio ( $\pm 5\%$ )		Insertion Loss (dB Max)	Return Loss 100ohm $\pm$ 5ohm (dB Min)		
	TX	RX		1-30MHz	30-60MHz	60-80MHz
J1B1211CCD	1CT : 1CT	1CT : 1CT	-1.0	-18	-14	-12

Electrical Specifications @ 25°C			
Part Number	Crosstalk (dB Min)	Common Mode Rejection (dB Min)	HI-POT (Vac)
	1-100MHz	1-100MHz	@60s
J1B1211CCD	-30	-30	1500

RJ45 Durability Testing Rating & Material Specification				
Part Number	Durability	Mating Force	Shield	
			Material	Finish
J1B1211CCD	750 Insertions	5 lbs./2.268 kgs.	Brass	30 $\mu$ inches Nickel over

RJ45 Material Specification				
Part Number	Contact		Housing	
	Material	Plating Area	Material	Specification
J1B1211CCD	Phosphor Brass	50 $\mu$ inches Nickel over selective gold plating 6 $\mu$ inches	Thermoplastic	UL 94 V-0

\* Operating temperature range: -40°C to +85°C. Storage temperature range: -20°C to +125°C.

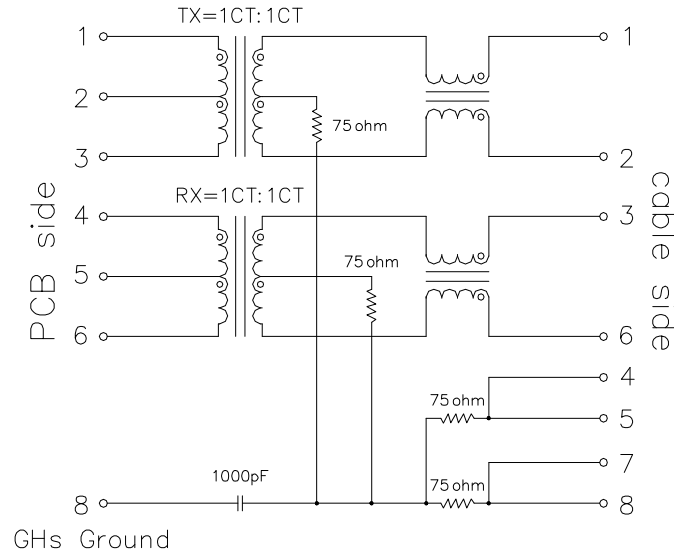
<b>Tel:+86-757-81811611</b>	<b>Fax:+86-757-81811621</b>
<b>E-mail:sales@ceetus.com.cn</b>	<b>Website:www.ceetus.com.cn</b>



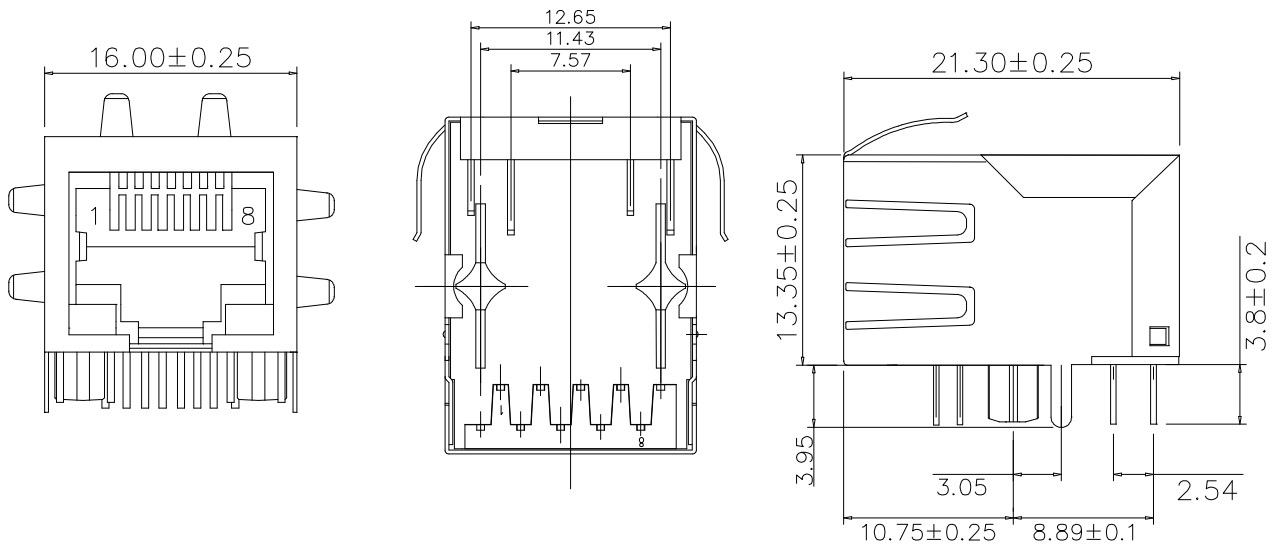
## SINGLE RJ45 CONNECTOR MODULE WITH 10/100 BASE-TX MAGNETICS AND LEDS

P/N: J1B1211CCD

### Schematic



### Mechanical



Units: mm.

Tolerance:  $\pm 0.25$  unless specified.

Tel: +86-757-81811611

E-mail: sales@ceetus.com.cn

Fax: +86-757-81811621

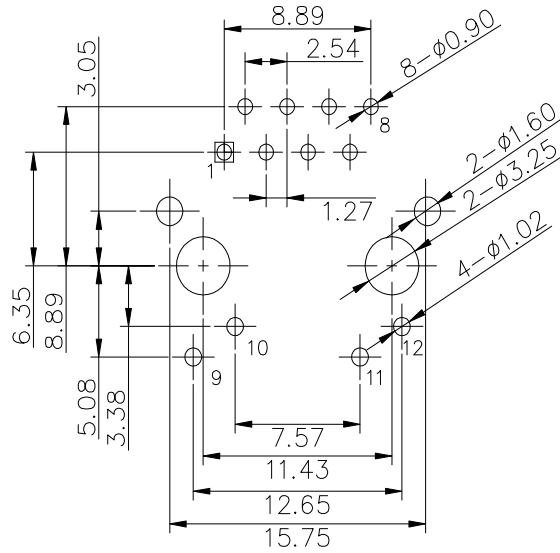
Website: www.ceetus.com.cn



## SINGLE RJ45 CONNECTOR MODULE WITH 10/100 BASE-TX MAGNETICS AND LEDS

P/N: J1B1211CCD

### PCB Layout Mounting Hole (Top View)



Tel:+86-757-81811611	Fax:+86-757-81811621
E-mail:sales@ceetus.com.cn	Website:www.ceetus.com.cn

## X-ON Electronics

Largest Supplier of Electrical and Electronic Components

*Click to view similar products for [Modular Connectors](#) / [Ethernet Connectors](#) category:*

*Click to view products by [WIZnet](#) manufacturer:*

Other Similar products are found below :

[8949-H88/06BLKA/SN](#) [74441-0010/BKN](#) [MP1010RX-1000](#) [MP44RX-1000](#) [PHJ-4P4C-1-V-4](#) [PHP-6P6C-5](#) [GAX-3-66](#) [GAX-8-62](#) [GDCX-PA-66-50](#) [GDCX-PN-64](#) [GDCX-PN-66](#) [GDCX-PN-66-50](#) [GDLX-A-66](#) [GDLX-N-66](#) [GDLX-S-66](#) [GDLX-S-88K](#) [GDTX-S-88-50](#) [GDX-PA-1010](#) [GLX-N-1010M-BLK](#) [GLX-S-88M-BLK](#) [GMX-N-1010](#) [GMX-S-1010](#) [GMX-S-66](#) [GMX-SMT4-N-88](#) [GPX-2-64](#) [GSGX-N-2-88](#) [GSGX-N-4-88](#) [GSX-NS2-88-3.05](#) [GSX-NS2-88-3.05-50](#) [GSX-NS-88-3.05-50](#) [PT-108A-8C-UL](#) [PT-J951-8C](#) [PTS-J531-8CS-50UL](#) [1-1775629-2](#) [A-2014-0-4](#) [GWLX-S-88-GR](#) [GWLX-S9-88-YG](#) [DC-1021-8-WH-6](#) [1300530003](#) [1324640-4](#) [RJ11FTVC2G](#) [RJ11FTVC2N](#) [RJFTVX2SA1G](#) [132764-001](#) [1413235](#) [MP88X-1000](#) [MPS88RX-5000](#) [E5288-S000K3-L](#) [E5908-15A242-L](#) [155302-001](#)