



Products

ioModule

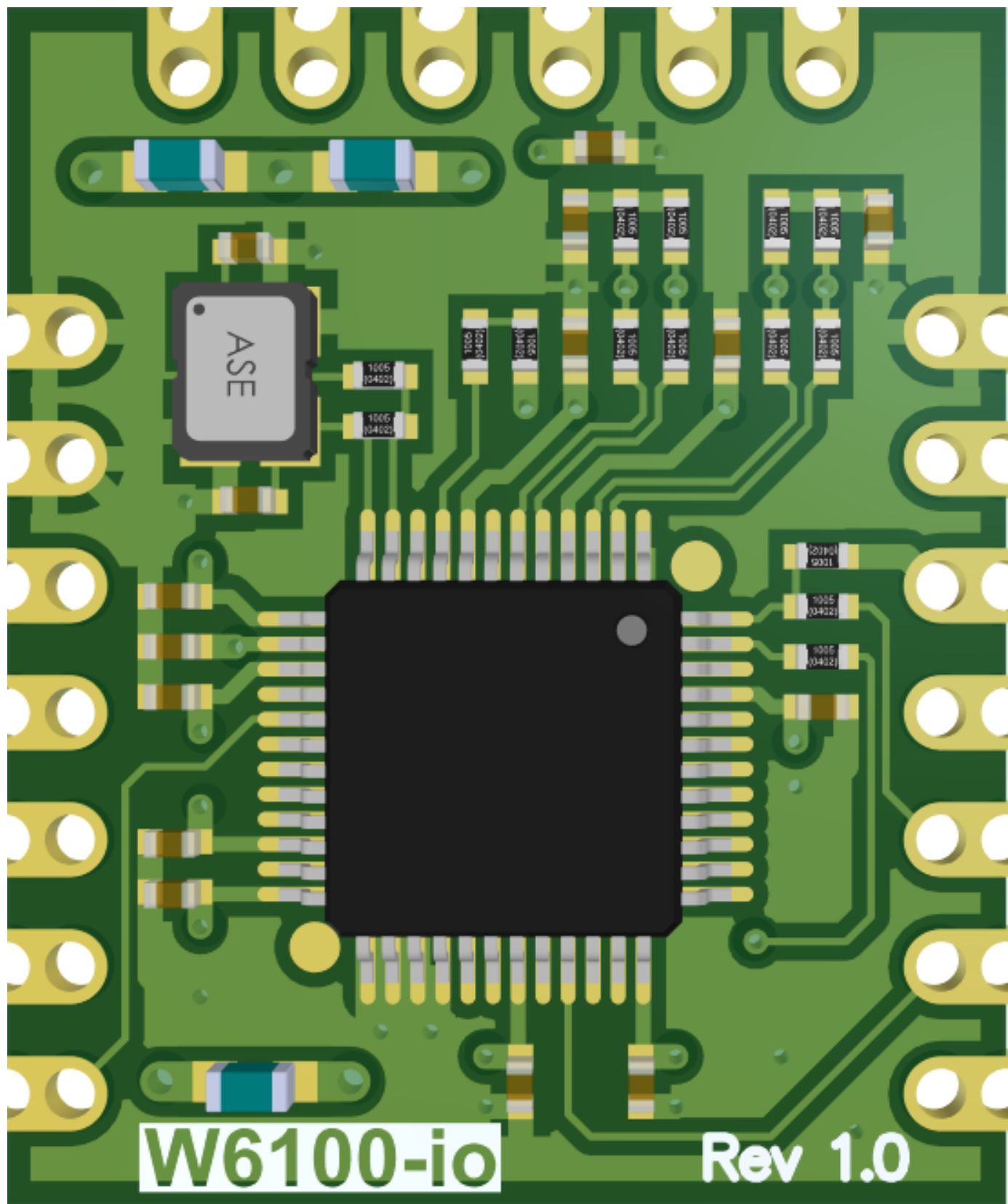
W6100-io

# W6100-io

## Overview

W6100-io is a compact size network module that includes a W6100 (TCP/IP hardwired chip and PHY embedded). It can be used as a component and no effort is required to interface W6100. The W6100-io is an ideal option for users who want to develop their Internet enabling systems rapidly. W6100-io is hardware compatible with W5100s-io and W5500-io.

For the detailed information on implementation of Hardware TCP/IP, refer to the [W6100 Datasheet](#).

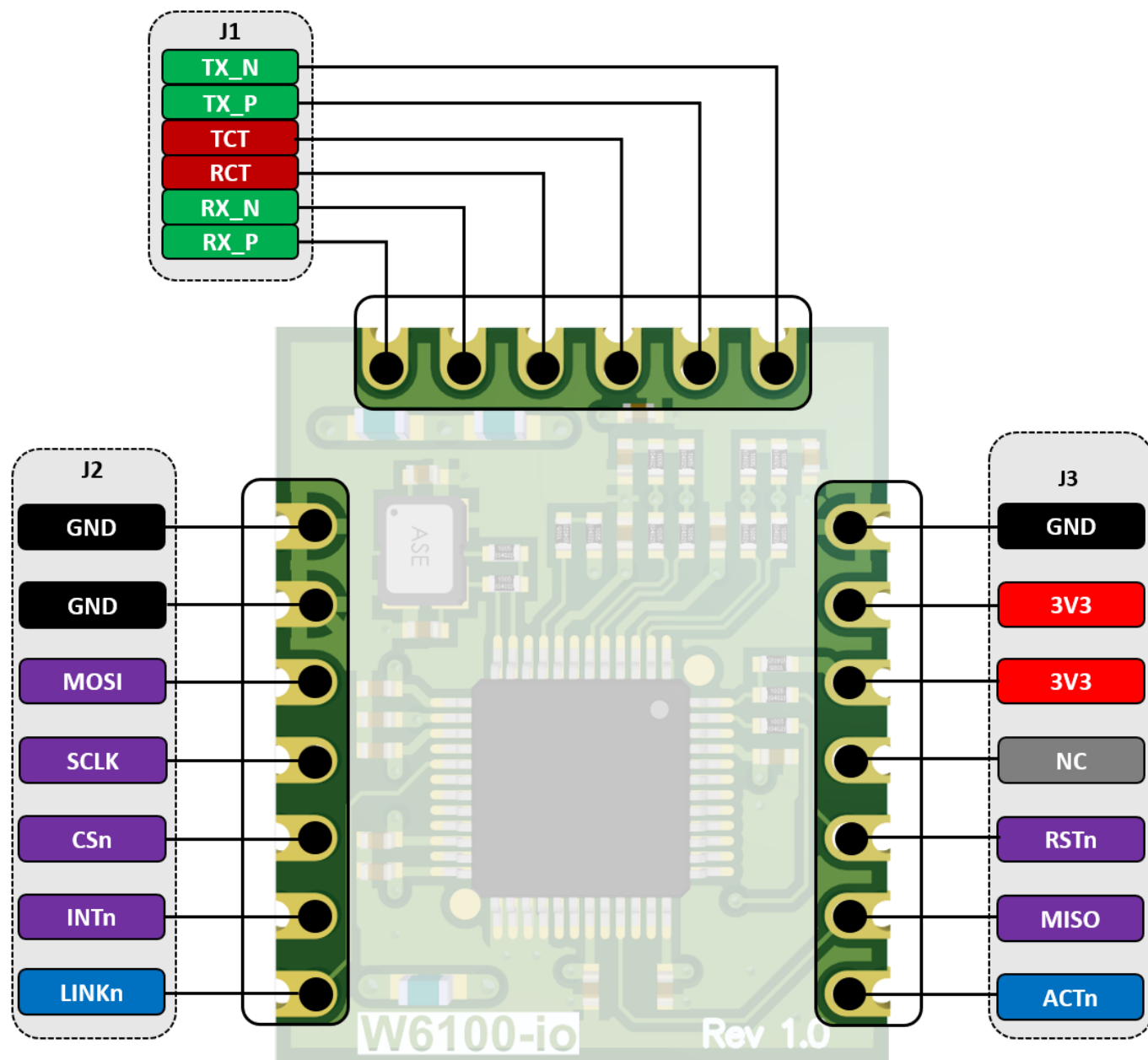


## Hardware Specification

## W5500-io

- Plugin Network Module.
- Hardware compatible with W5100S-io, W5500-io.
- Usable without H/W design for W6100.
- Fast evaluation for W6100 & MCU in the target board.
- Support high speed SPI interface.
- Support power down mode and Wake-on-LAN function
- Very small form factor : 20mm x 24mm x 2.6mm

## Pin Out



## Pin Description

Pin No.		Pin Type	Pin Name	Description
J1	1	I	RX_P	RX_P
⋮	2	I	RX_N	RX_N
⋮	3	P	RCT	<b>RX Center Tap</b> This pin should be connect with external pulse

Pin No.		Pin Type	Pin Name	Description
				transformer's RCT pin
:::	4	P	TCT	<b>TX Center Tap</b> This pin should be connect with external pulse transformer's TCT pin
:::	5	O	TX_P	TX_P
:::	6	O	TX_N	TX_N

Pin No.		Pin Type	Pin Name	Description
J2	1	P	GND	Ground
:::	2	P	GND	Ground
:::	3	I	MOSI	<b>Master Out Slave In</b> This pin is used for SPI MOSI signal pin
:::	4	I	SCLK	<b>SPI clock input</b>
:::	5	I	CSn	<b>Chip select input</b>
:::	6	O	INTn	<b>Interrupt output</b> Low: Interrupt asserted from W6100 High: No interrupt
:::	7	O	LINK	<b>LINK status output</b> Low : Link High : Un Link

Pin No.		Pin Type	Pin Name	Description
---------	--	----------	----------	-------------

Pin No.		Pin Type	Pin Name	Description
J3	1	P	GND	Ground
⋮	2	P	3.3V	Power : 3.3V power supply
⋮	3	P	3.3V	Power : 3.3V power supply
⋮	4	-	NC	Not Connect
⋮	5	I	RSTn	<b>Reset</b> : Low activity Hold at least 500us after asserted to LOW and keep HIGH until next Reset needed.
⋮	6	O	MISO	<b>SPI Master In Slave Out</b> This pin is used for SPI MISO signal pin
⋮	7	O	ACTn	<b>Active LED</b> Low: Carrier sense from the active PMD High: No carrier sense

-----

## Characteristic

### DC Characteristic

Symbol	Parameter	Pins	Min	Typ	Max	Unit
<i>VDD</i>	Supply voltage	3.3V	2.97	3.3	3.63	V
<i>VIL</i>	High level input voltage	ALL	2.0		5.5	V
<i>VIH</i>	Low level input voltage	ALL	-0.3		0.8	V

Symbol	Parameter	Pins	Min	Typ	Max	Unit
<i>VOL</i>	<b>Low level output voltage</b>	ALL			0.4	V
<i>VOH</i>	<b>High level output voltage</b>	ALL	2.4			V
<i>LOL</i>	<b>Low level output Current</b>	ALL	8.6	13.9	18.9	mA
<i>LOH</i>	<b>High level output Current</b>	ALL	12.5	26.9	47.1	mA
<i>IDD</i>	<b>Supply Current (Normal operation mode)</b>	3.3V		132		mA
<i>LOH</i>	<b>Supply Current (Power Down mode)</b>	3.3V		13		mA

## Power Dissipation

Condition	Min	Typ	Max	Unit
100M Link	-	98	115	mA
10M Link	-	112	265	mA
Un-Link (Auto-negotiation mode)	-	50	199	mA
Power Down mode	-	14	20	mA

## SPI Operations

As W6100-io consists of W6100 and others, SPI operation of W6100-io follows one of W6100. For more information about SPI operation of W6100-io, please refer to [W6100 Datasheet](#).

# Schematic & Artwork

- Revision 1.0 [W6100-io V100 Schematic\(PDF\)](#)
- Revision 1.0 [W6100-io V100 Schematic\(Altium\)](#)

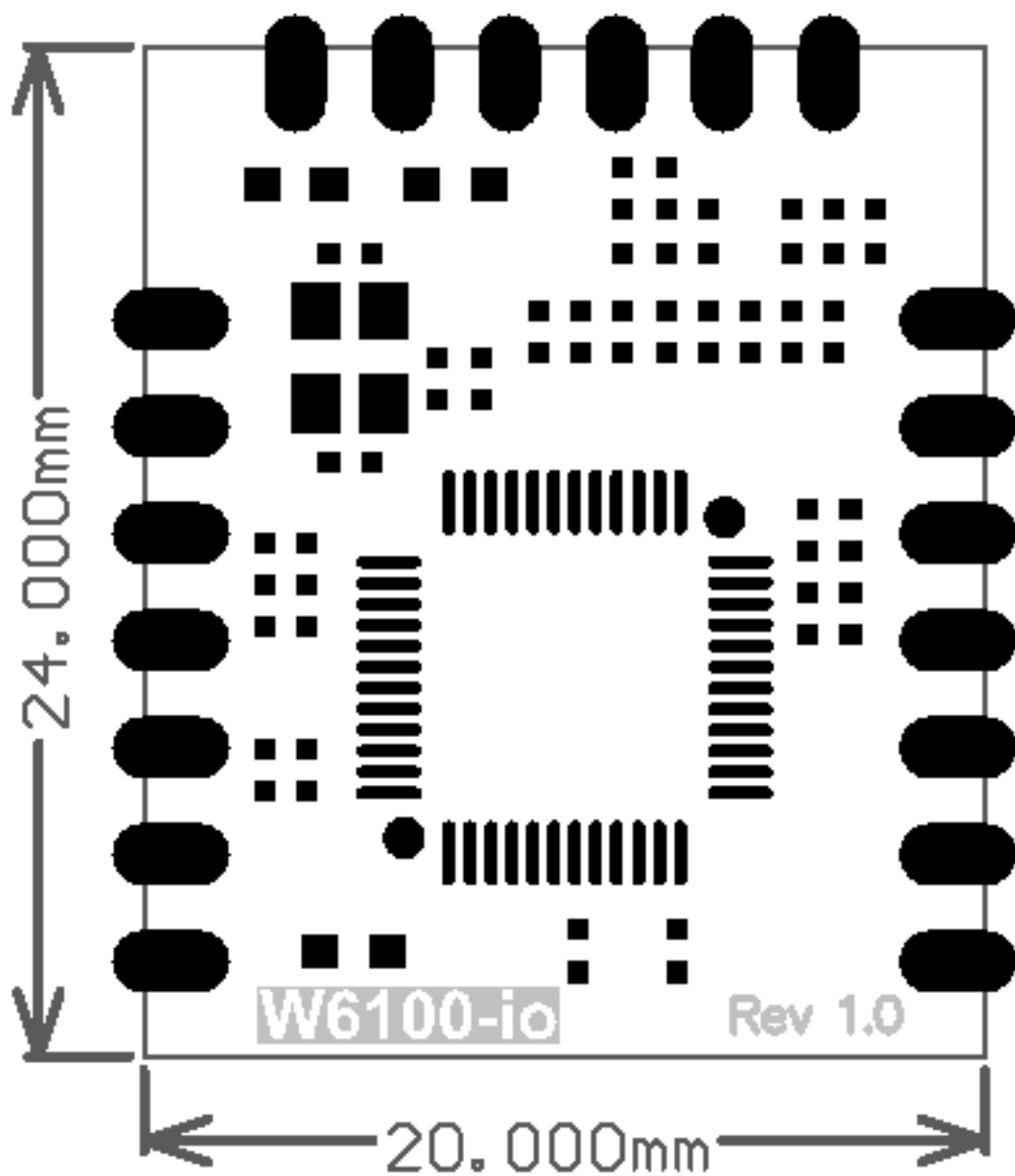
# Part list

- Revision 1.0 [W6100-io V100 Part list\(PDF\)](#)
- Revision 1.0 [W6100-io V100 Part list\(Excel\)](#)

# Dimension

- W6100-io V100 Dimension
  - 24mm x 20mm x 1.0mm ( PCB board size )
  - 24mm x 20mm x 2.6mm ( Included part size )





[Edit this page](#)

## X-ON Electronics

Largest Supplier of Electrical and Electronic Components

*Click to view similar products for [Ethernet Modules](#) category:*

*Click to view products by [Wiznet](#) manufacturer:*

Other Similar products are found below :

[I350T4V2](#) [GX-OD1612](#) [TDKEZW3](#) [I350T2V2](#) [V23993-USB1029A](#) [I350T2V2BLK](#) [FC6A-PH1](#) [EM-ETH-GATEWAY-IFS](#) [EL1809](#)  
[EL2622](#) [EL2904](#) [EL3052](#) [EL4022](#) [EL6021](#) [EL6224](#) [EL6631](#) [EL9011](#) [EL9100](#) [KL1002](#) [KL1104](#) [KL2602-0010](#) [KL3208-0010](#) [KL6821](#)  
[KL9100](#) [KL9200](#) [X710T2L](#) [RY9012A0000GZ00#002](#) [X710T4LBLK](#) [7000-14561-7960150](#) [7000-44711-7960300](#) [7000-44711-7960750](#)  
[7000-44711-7961000](#) [7000-74711-4780150](#) [7000-89701-7910500](#) [7000-P6241-P060500](#) [2352903-2](#) [BOXER-6614-A1M-1110](#) [ED-593](#) [WC-](#)  
[PD13C033I-1](#) [EL2809-0015](#) [WC-PD30A012C](#) [NS8](#) [NS2](#) [NS4](#) [USR-K3](#) [USR-K2](#) [USR-TCP232-E2](#) [WC-PD13S120B](#) [WC-PD13C012S](#)  
[WC-PD07H012C](#)