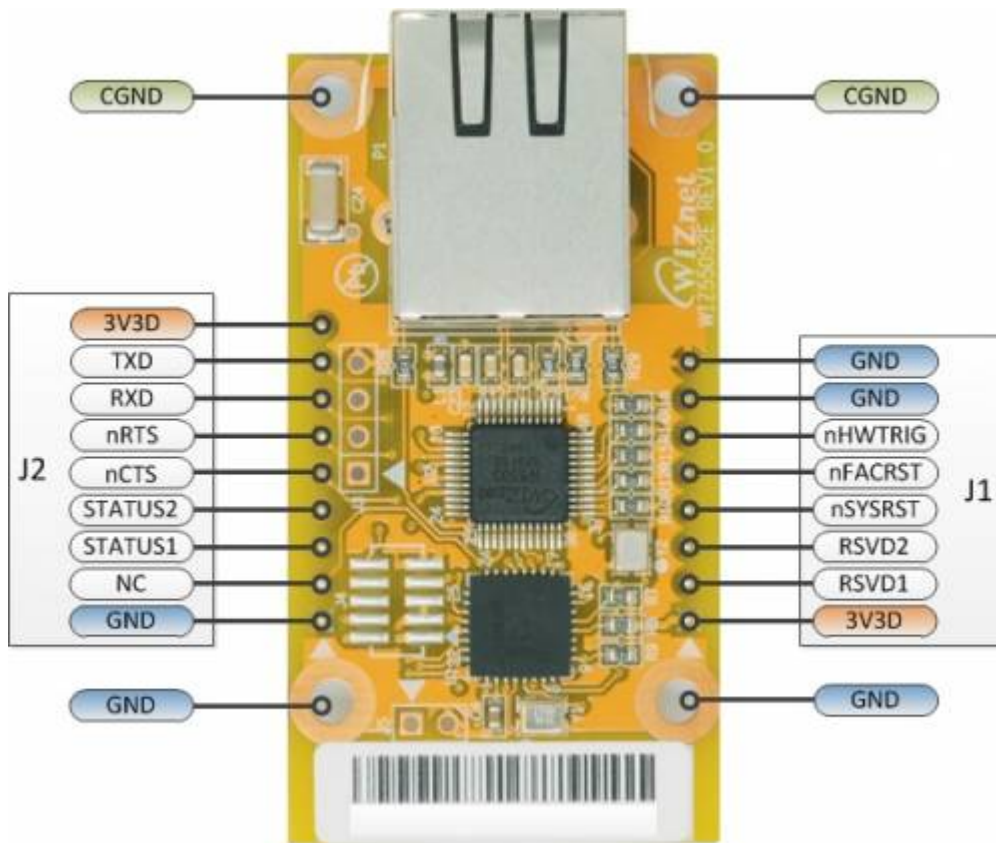


WIZ550S2E Datasheet
Overview

This page describes hardware specification of WIZ550S2E with EVB.

Hardware Configuration
WIZ550S2E

- MCU LPC11E36FHN33
- TCP/IP Controller W5500
- RJ45(Integrated Transformer)
- 2.54mm Header x2



Pin Description

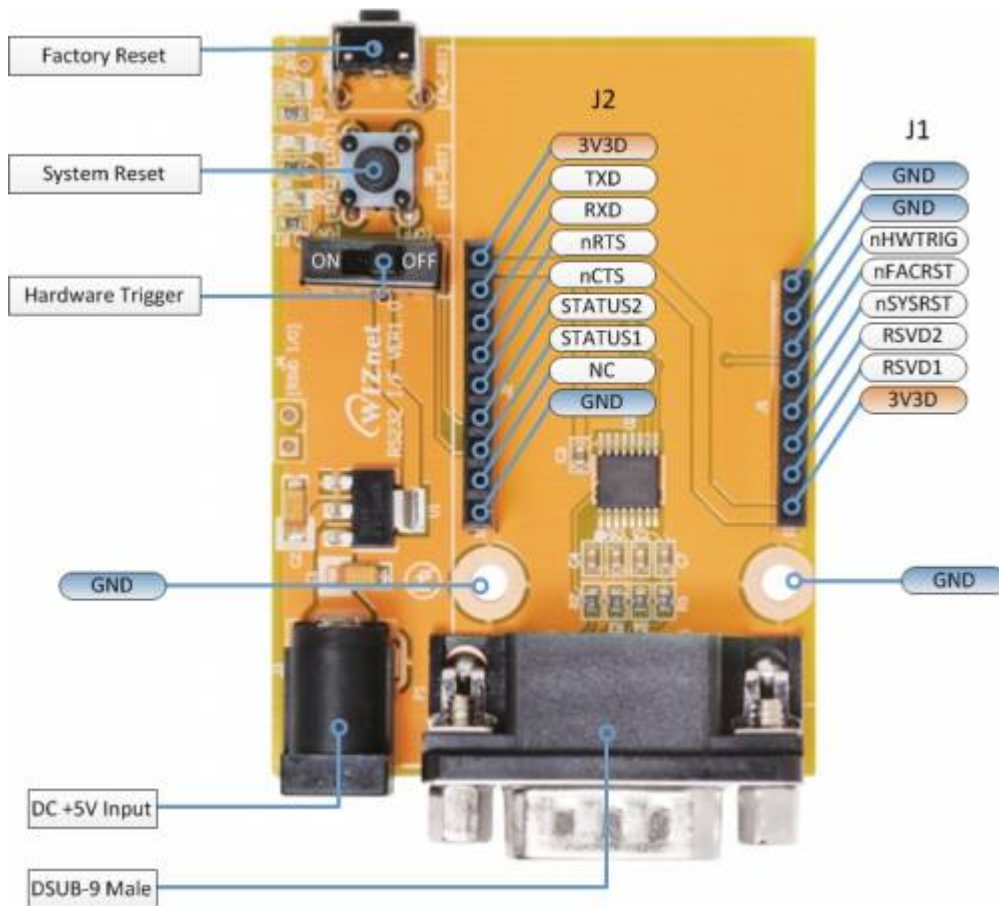
Ref No.	Pin No.	Symbol	Type	Description
J1	1	3V3D	P	Supply DC+3.3V
	2	RSVD1	I/O	Reserved I/O
	3	RSVD2	I/O	Reserved I/O
	4	nSYRST	I	System reset input. Active Low.
	5	nFACRST	I	Factory reset input. Active Low.
	6	nHWTRIG	I	Hardware Trigger input Active Low.
	7	GND	P	Power Ground
	8	GND	P	Power Ground

Ref No.	Pin No.	Symbol	Type	Description
---------	---------	--------	------	-------------

J2	1	GND	P	Power Ground
	2	NC	-	No connection
	3	STATUS1	O	Output for LED Display
	4	STATUS2	O	Output for LED Display
	5	nCTS	I	Clear To Send input for UART
	6	nRTS	O	Request To Send output for UART. This pin also serves as the RS485 control.
	7	RXD	I	Receiver input for UART
	8	TXD	O	Transmitter output for UART
	9	3V3D	P	Supply DC+3.3V

WIZ550S2E-232-EVB

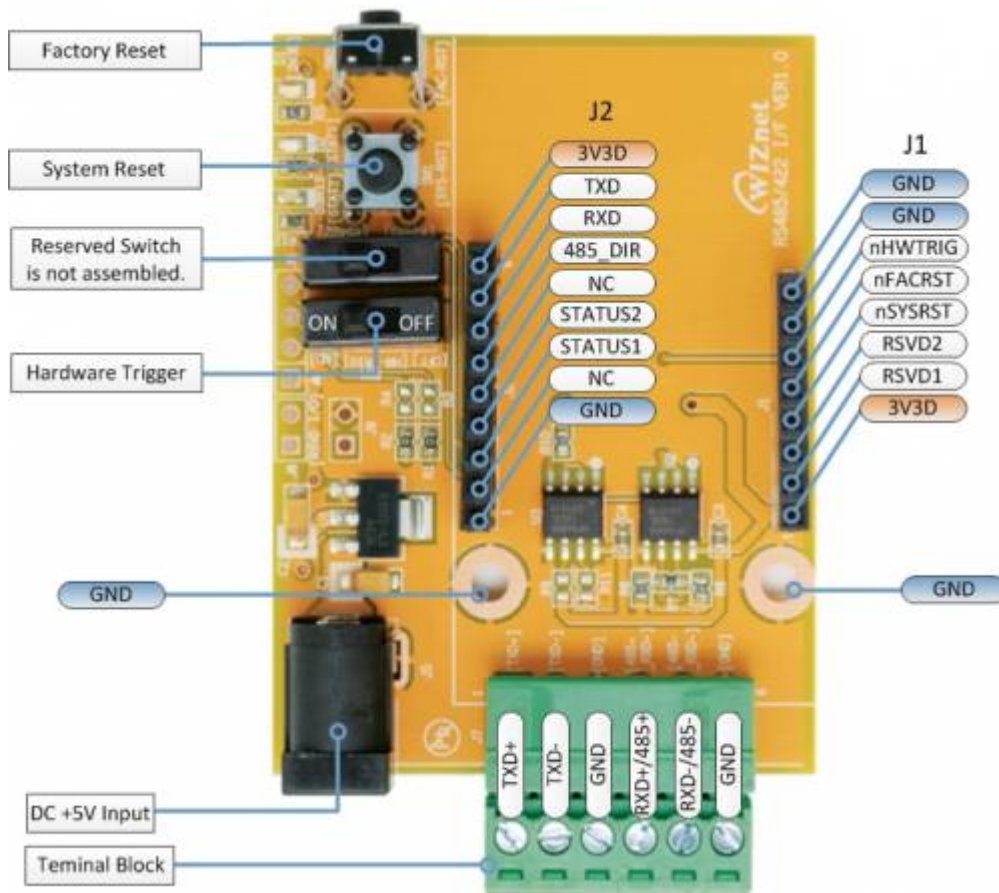
- Line Driver SP3232EBEY
- System Reset Switch
- Factory Reset Switch
- Hardware-Trigger Mode Switch
- Status LEDs
- DC-Jack (for +5V Input Power)





WIZ550S2E-485/422-EVB

- Line Driver SP3485EN
- System Reset Switch
- Factory Reset Switch
- Hardware-Trigger Mode Switch
- Status LEDs
- DC-Jack (for +5V Input Power)





Characteristic

WIZ550S2E Operating Voltage	DC+3.3V
EVB DC Jack Input Power	DC+5.0V Adaptor(Plug type: Outdiameter5.5Pi-Caliber2.1Pi)
Current Consumption	TBD
Operating Temperature	-40 ~ 85 °C

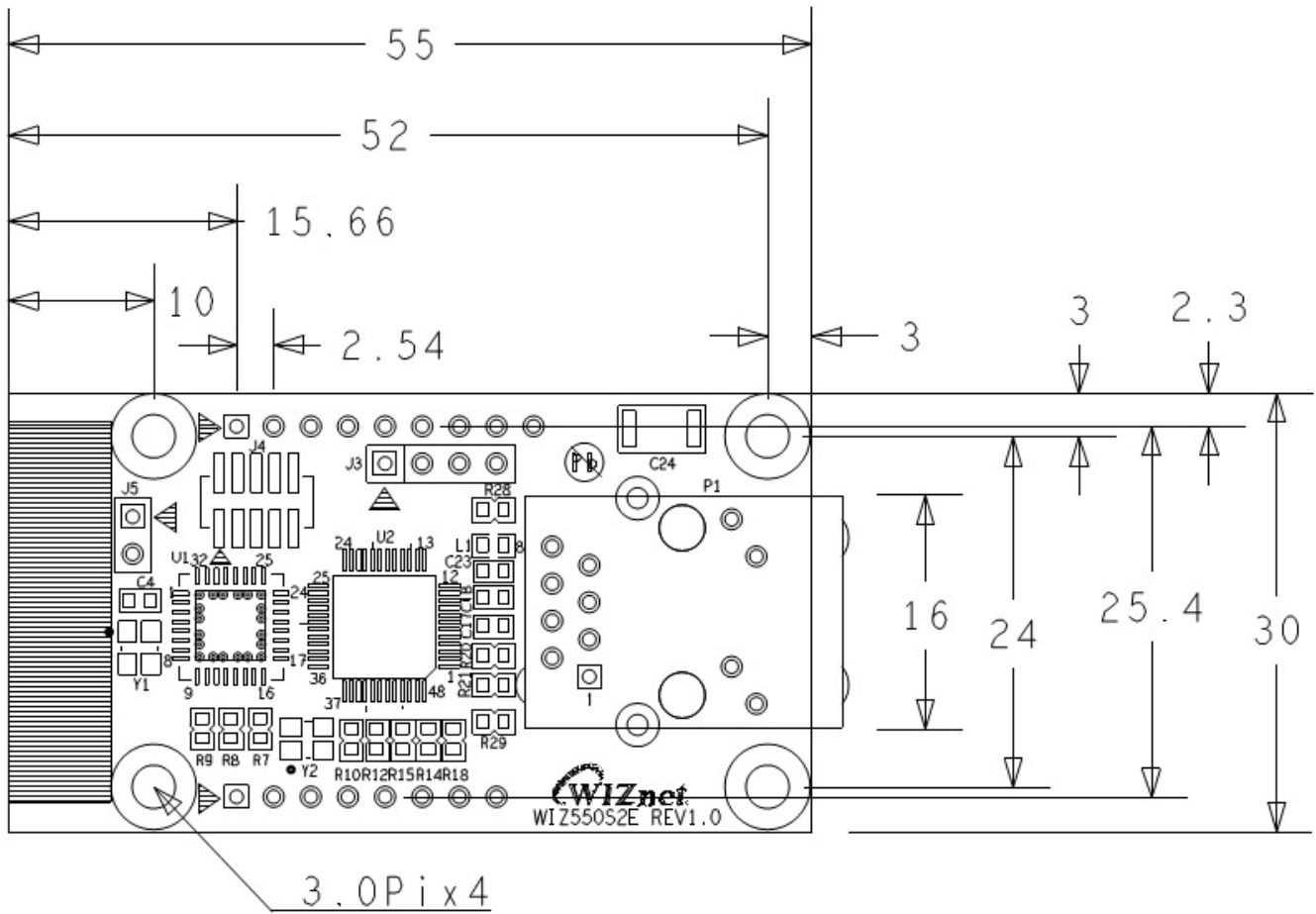
Schematic

List	Version	Schematic
WIZ550S2E	1.0	wiz550s2e_v1_0.pdf
WIZ550S2E-232-EVB	1.0	rs232if_v1_0.pdf
WIZ550S2E-485/422-EVB	1.0	rs485-422if_v1_0.pdf

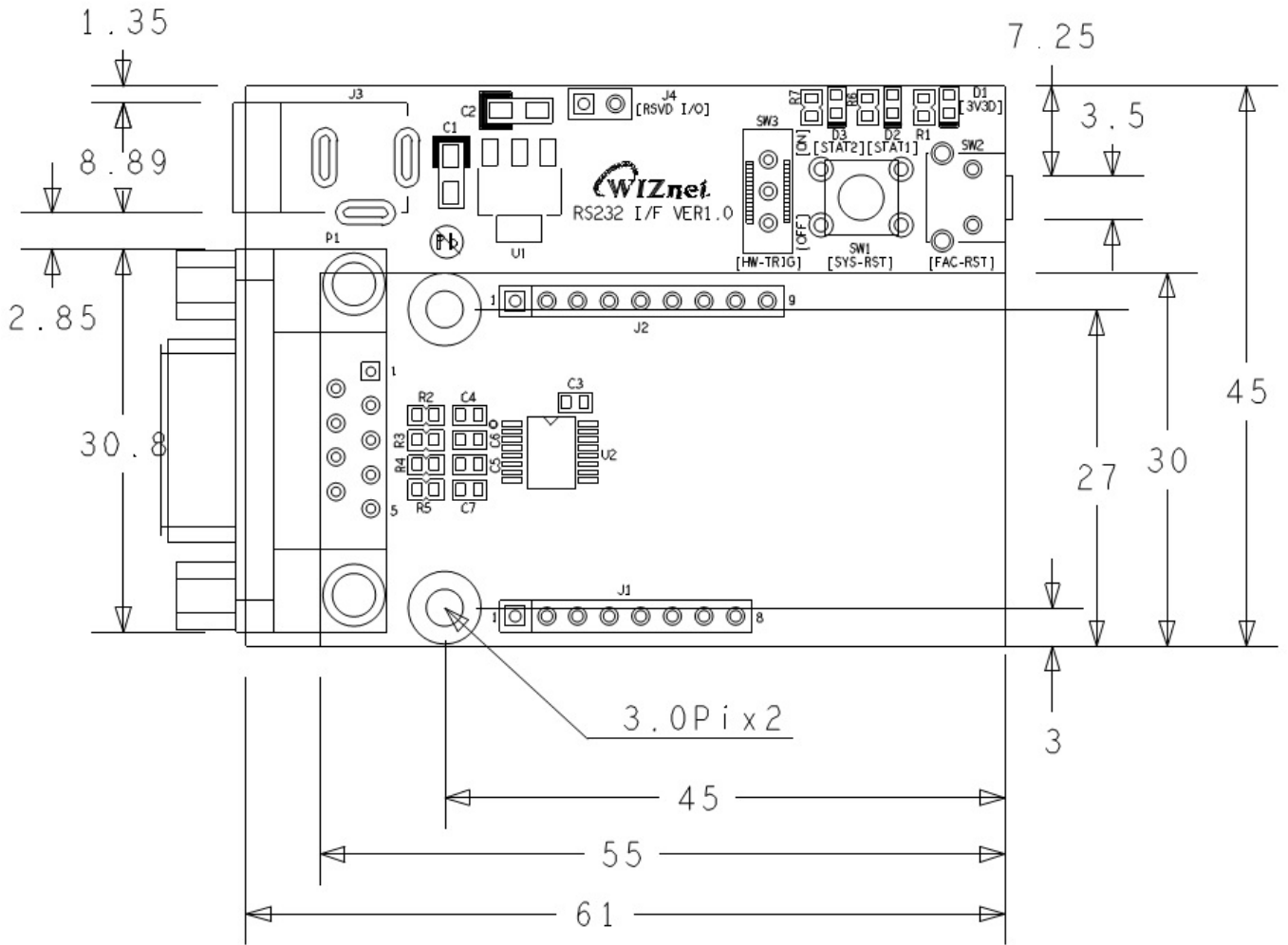
Dimension

(Unit: mm)

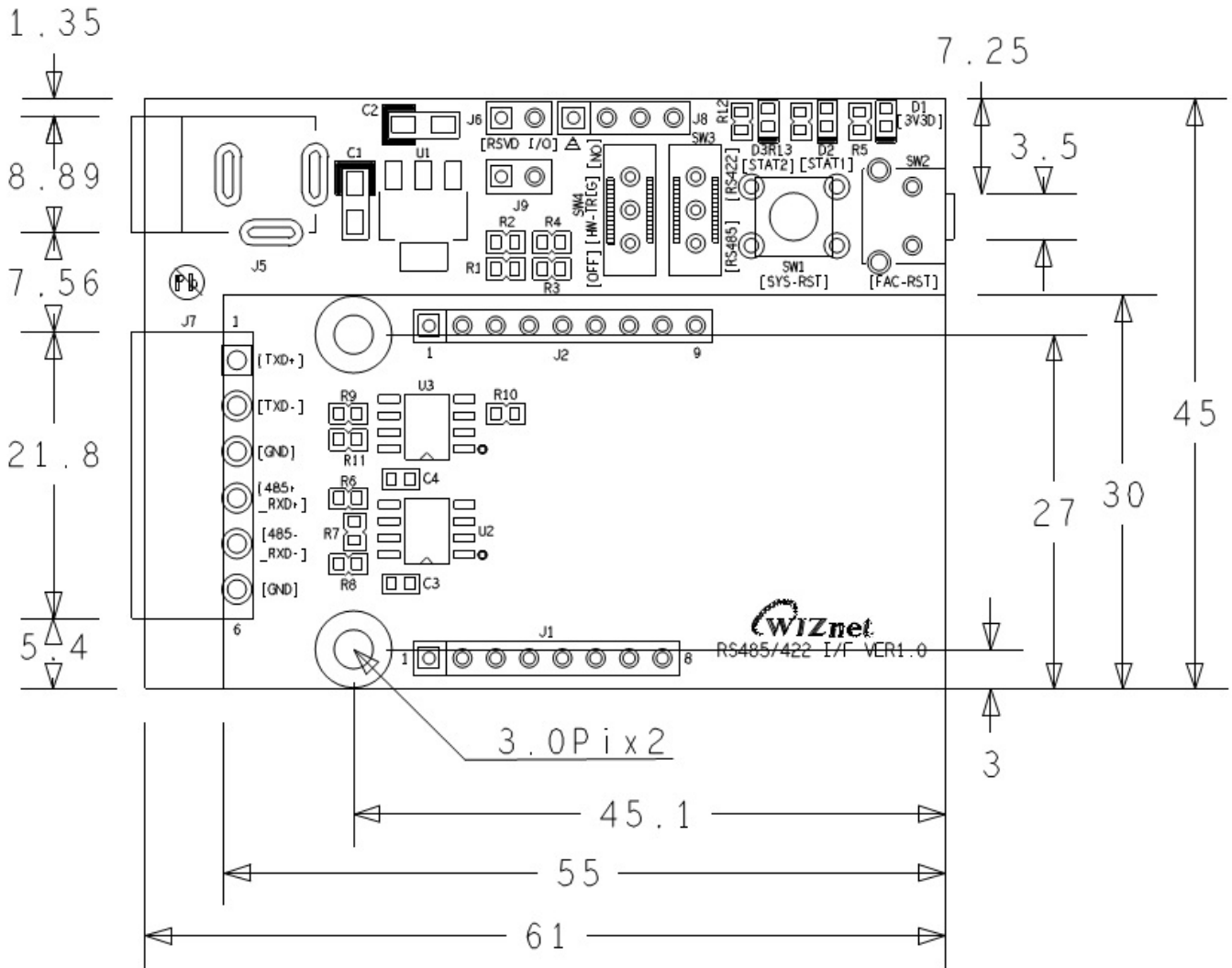
- WIZ550S2E



- WIZ550S2E-232-EVB



- WIZ550S2E-485/422-EVB



From:
<http://wizwiki.net/wiki/> -

Permanent link:
<http://wizwiki.net/wiki/doku.php?id=products:wiz550s2e:wiz550s2eds:start>

Last update: **2014/06/02 11:10**

X-ON Electronics

Largest Supplier of Electrical and Electronic Components

Click to view similar products for [Interface Modules](#) category:

Click to view products by [Wiznet](#) manufacturer:

Other Similar products are found below :

[IFD8520](#) [cPCI-3544](#) [422CON](#) [ATX6022/14GP7](#) [ATX6022/8](#) [AX93221-24/48](#) [FC6A-EXM2](#) [OPT8AP-AE](#) [96RMKVM-19V1C-A](#) [60016-011](#) [60016-014](#) [60006-008](#) [60011-075](#) [HPCI-14S12U](#) [cBP-3208](#) [cBP-3062A](#) [FAB205-6P5](#) [ATX6022/6](#) [60016-012](#) [96RMKVM-17V1C-A](#) [PCE-DP10-00A1E](#) [MOS-1120Y-0201E](#) [96RMLCD-17V1-A](#) [96RMKVM-17V8C-A](#) [60004-005](#) [60016-017](#) [60006-009](#) [60016-035](#) [60016-034](#) [60016-031](#) [60016-030](#) [60016-026](#) [60016-024](#) [60016-018](#) [60016-007](#) [60016-005](#) [60007-002](#) [60006-010](#) [AXX10GBTWLHW3](#) [382-BBEH](#) [555-BDCL](#) [K6CMISZBI52](#) [426451401-3](#) [60011-093](#) [MIC-3620/3-BE](#) [MPCIE-UART-KIT02-R20](#) [RSM232](#) [PCIE-1680-AE](#) [BB-FOSTCDRI](#) [73-544-002](#)