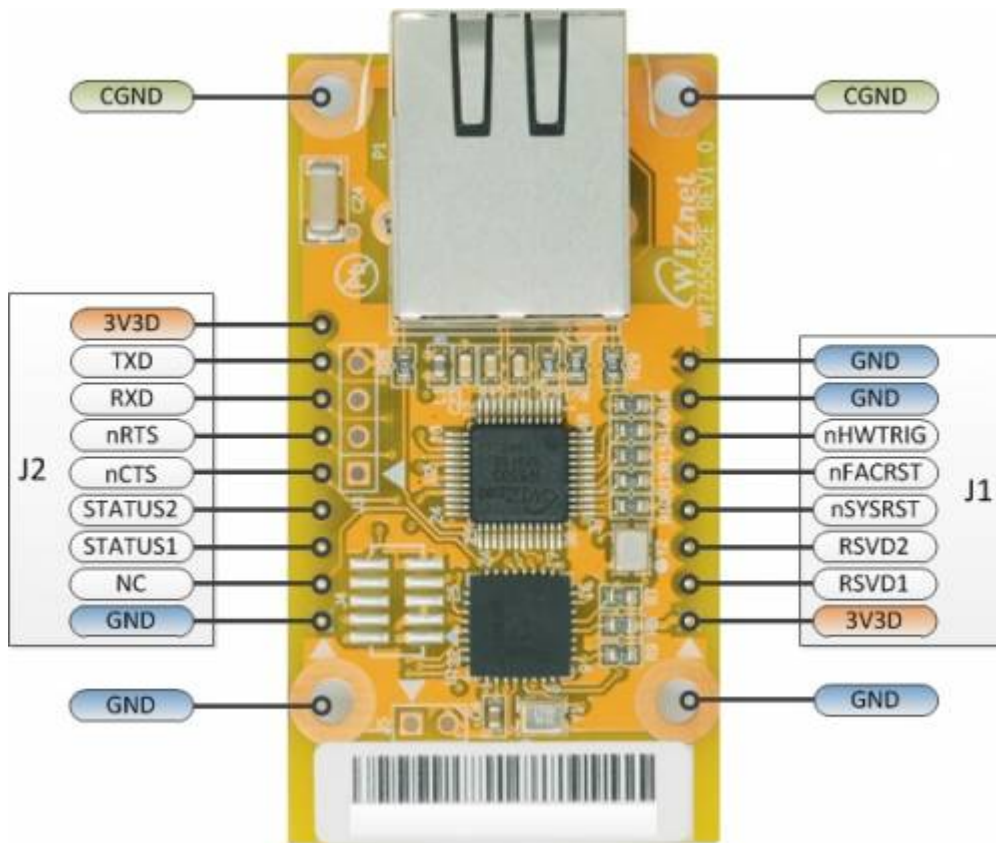


WIZ550S2E Datasheet
Overview

This page describes hardware specification of WIZ550S2E with EVB.

Hardware Configuration
WIZ550S2E

- MCU LPC11E36FHN33
- TCP/IP Controller W5500
- RJ45(Integrated Transformer)
- 2.54mm Header x2



Pin Description

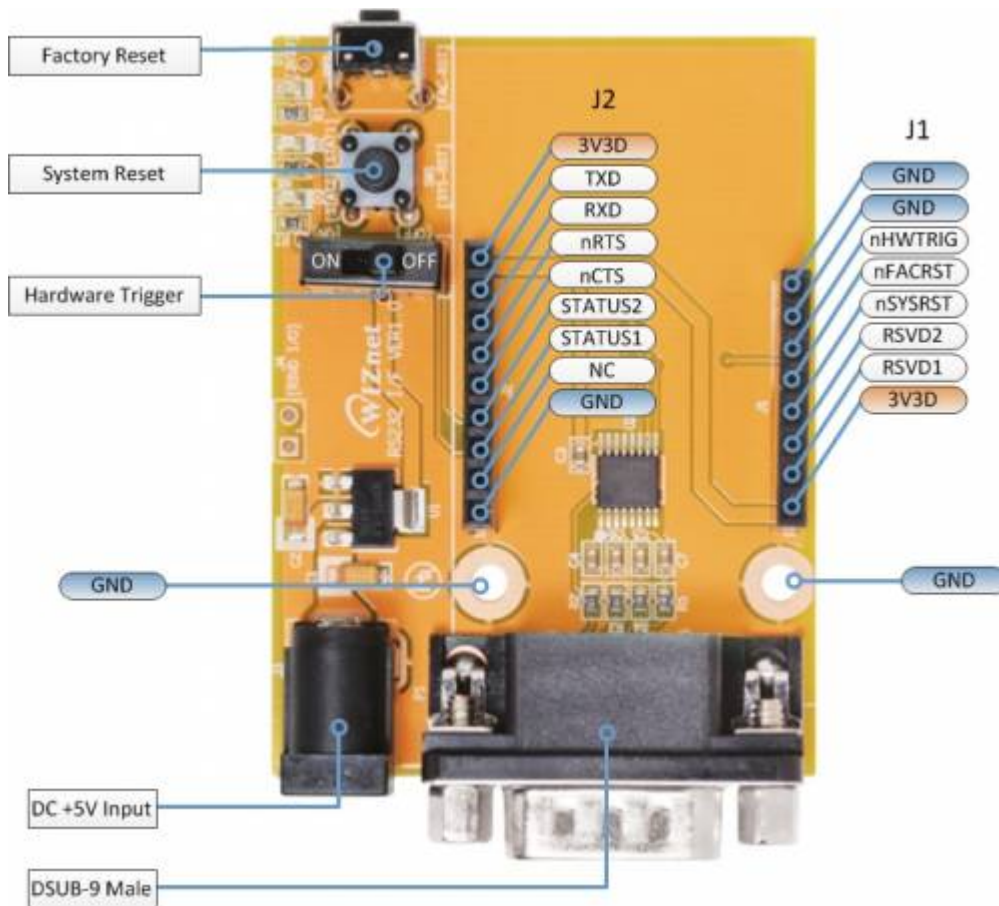
Ref No.	Pin No.	Symbol	Type	Description
J1	1	3V3D	P	Supply DC+3.3V
	2	RSVD1	I/O	Reserved I/O
	3	RSVD2	I/O	Reserved I/O
	4	nSYRST	I	System reset input. Active Low.
	5	nFACRST	I	Factory reset input. Active Low.
	6	nHWTRIG	I	Hardware Trigger input Active Low.
	7	GND	P	Power Ground
	8	GND	P	Power Ground

Ref No.	Pin No.	Symbol	Type	Description
---------	---------	--------	------	-------------

J2	1	GND	P	Power Ground
	2	NC	-	No connection
	3	STATUS1	O	Output for LED Display
	4	STATUS2	O	Output for LED Display
	5	nCTS	I	Clear To Send input for UART
	6	nRTS	O	Request To Send output for UART. This pin also serves as the RS485 control.
	7	RXD	I	Receiver input for UART
	8	TXD	O	Transmitter output for UART
	9	3V3D	P	Supply DC+3.3V

WIZ550S2E-232-EVB

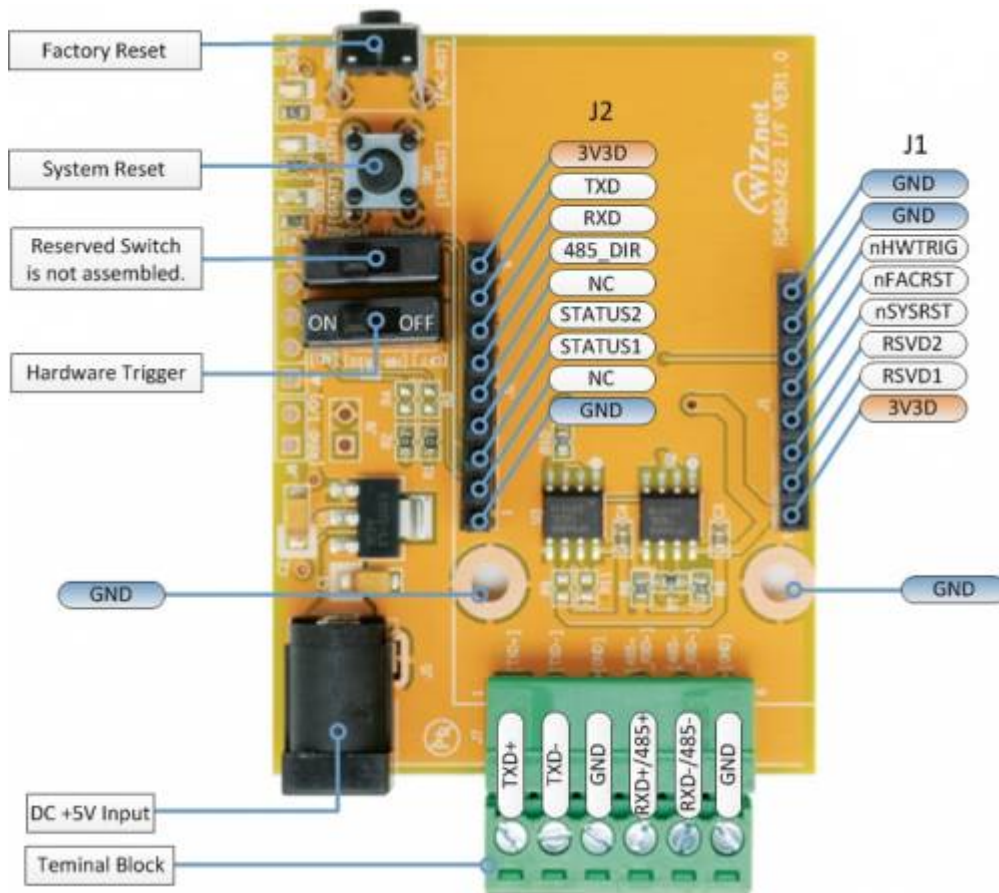
- Line Driver SP3232EBEY
- System Reset Switch
- Factory Reset Switch
- Hardware-Trigger Mode Switch
- Status LEDs
- DC-Jack (for +5V Input Power)

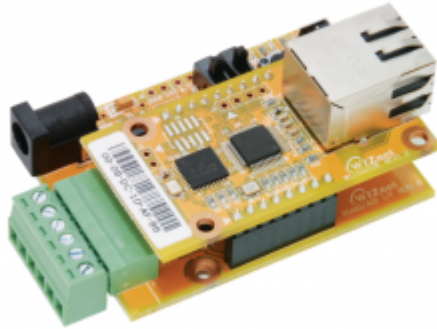




WIZ550S2E-485/422-EVB

- Line Driver SP3485EN
- System Reset Switch
- Factory Reset Switch
- Hardware-Trigger Mode Switch
- Status LEDs
- DC-Jack (for +5V Input Power)





Characteristic

WIZ550S2E Operating Voltage	DC+3.3V
EVB DC Jack Input Power	DC+5.0V Adaptor(Plug type: Outdiameter5.5Pi-Caliber2.1Pi)
Current Consumption	TBD
Operating Temperature	-40 ~ 85 °C

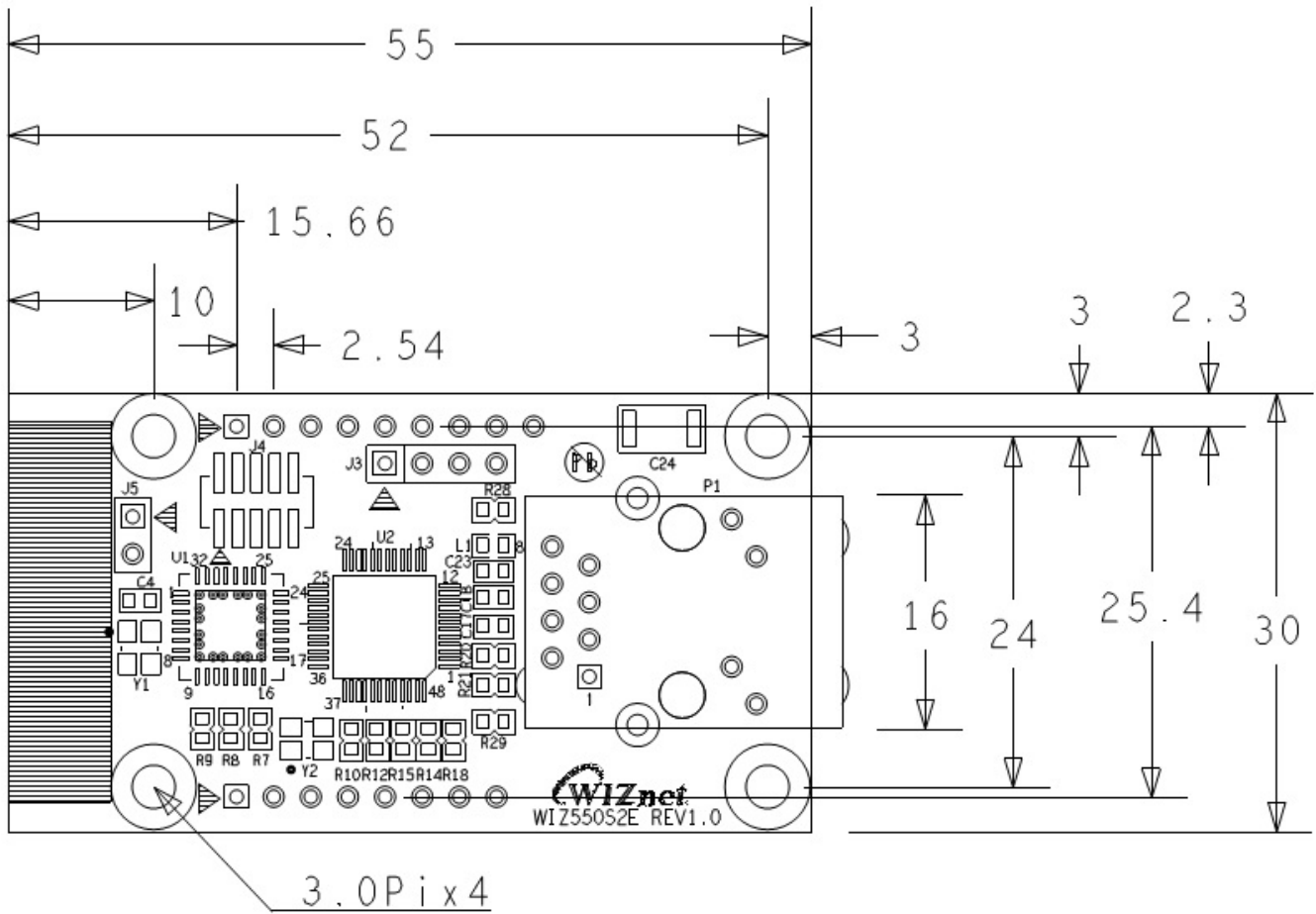
Schematic

List	Version	Schematic
WIZ550S2E	1.0	wiz550s2e_v1_0.pdf
WIZ550S2E-232-EVB	1.0	rs232if_v1_0.pdf
WIZ550S2E-485/422-EVB	1.0	rs485-422if_v1_0.pdf

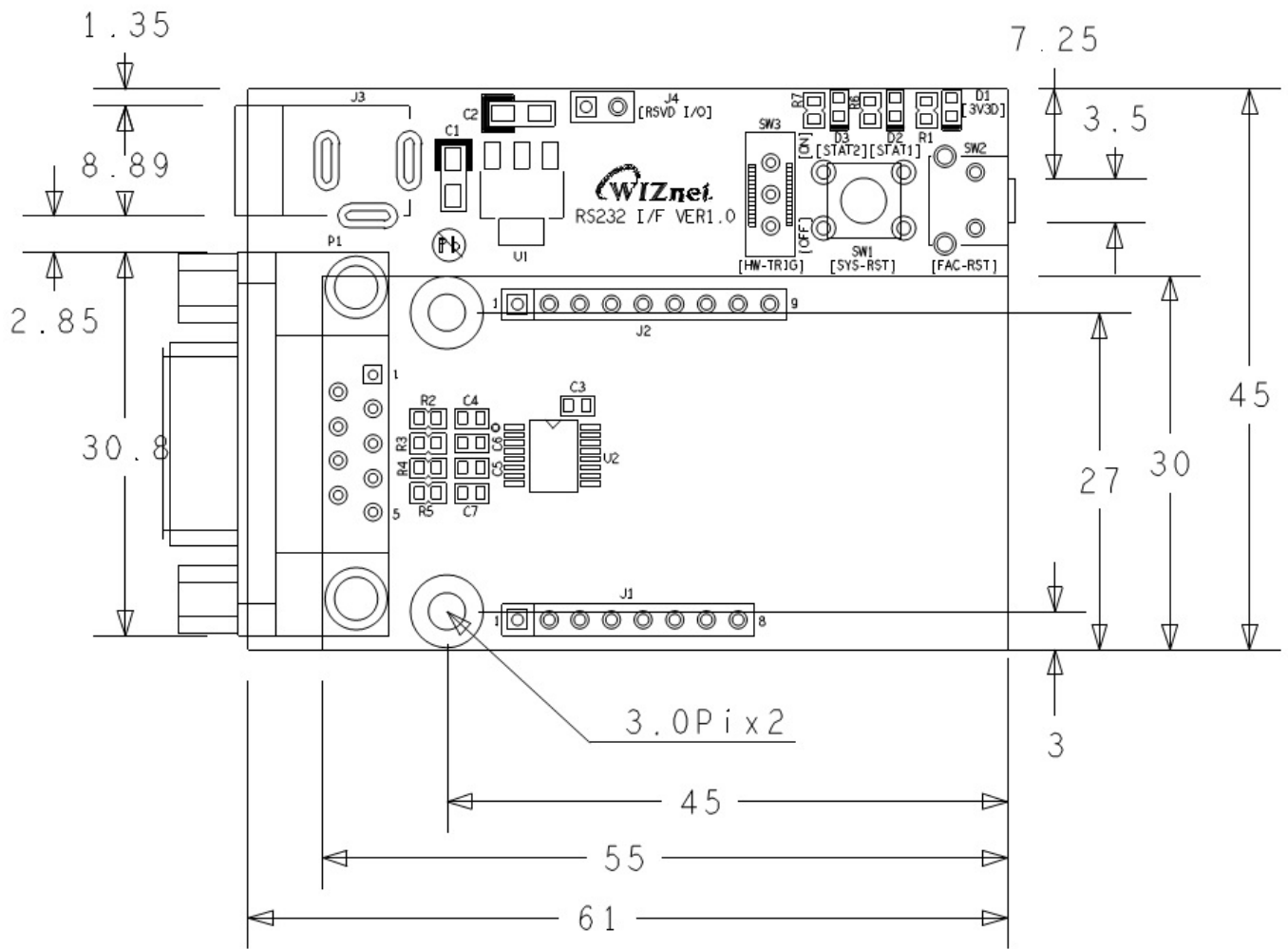
Dimension

(Unit: mm)

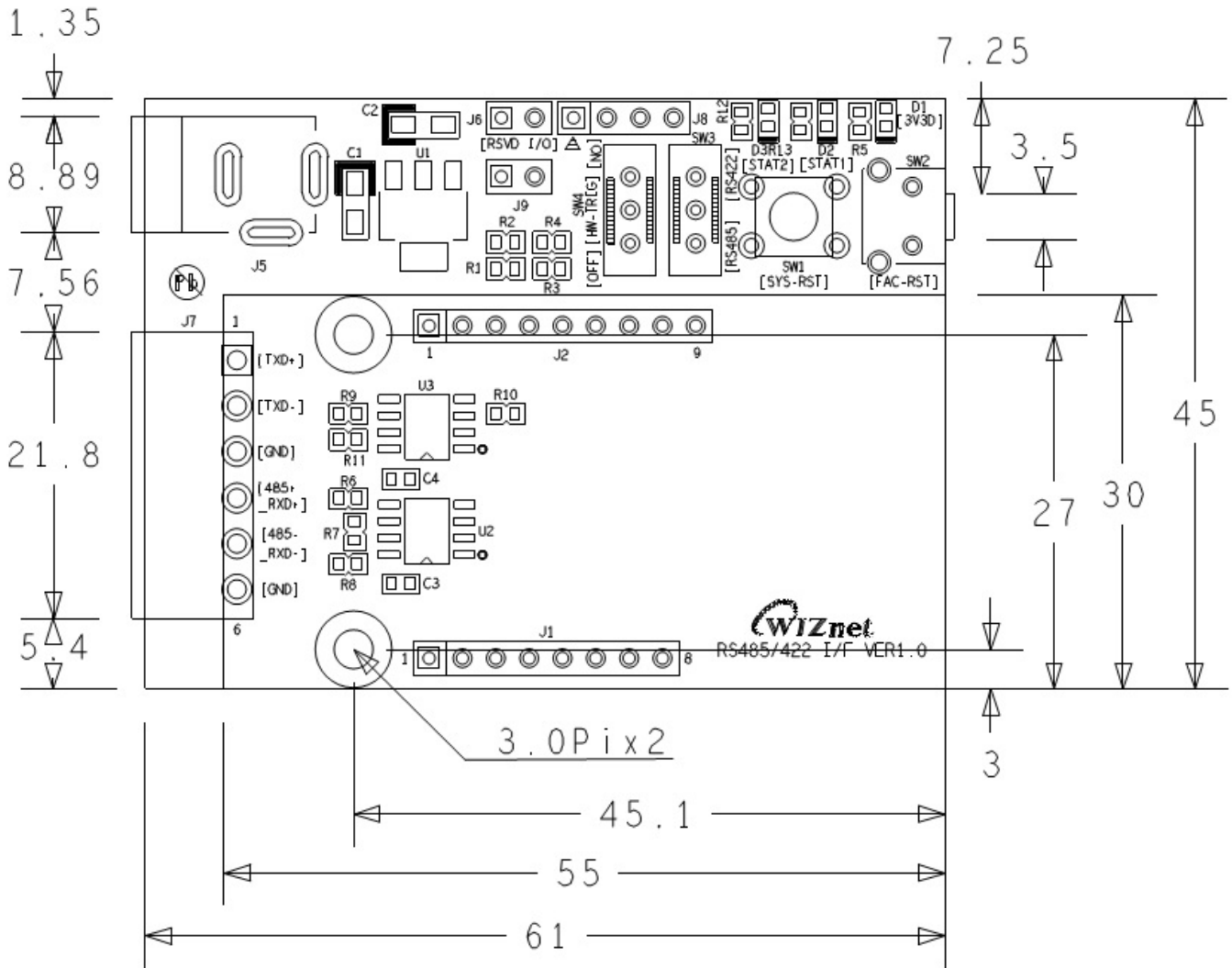
- WIZ550S2E



- WIZ550S2E-232-EVB



- WIZ550S2E-485/422-EVB



From:
<http://wizwiki.net/wiki/> -

Permanent link:
<http://wizwiki.net/wiki/doku.php?id=products:wiz550s2e:wiz550s2eds:start>

Last update: **2014/06/02 11:10**

X-ON Electronics

Largest Supplier of Electrical and Electronic Components

Click to view similar products for [Networking Modules](#) category:

Click to view products by [WIZnet](#) manufacturer:

Other Similar products are found below :

[MS25041-4-327](#) [SE305-T](#) [509FX-SC](#) [SE308-T](#) [FCOPPER-SFP-100](#) [75070R-70](#) [75060R-40](#) [301-2010-27](#) [DC-ES-4SB-EU](#)

[MGM111E256V2](#) [LTP5901IPC-IPRB1C1#PBF](#) [LTP5901IPC-IPRC1C2#PBF](#) [LTP5901IPC-IPRC1C1#PBF](#) [LTP5901IPC-IPRB1C2#PBF](#)

[LTP5901IPC-IPRA1C2#PBF](#) [VSMD001V072](#) [65440R](#) [2000000844](#) [2000000849](#) [WISE-1020-0C01E](#) [WISE-1020-0S01E](#) [WISE-1021WR-](#)

[1100E](#) [RAPID-NI-V2005](#) [RAPID-NI-V2011](#) [RAPID-NI-V2105](#) [855-19619](#) [X2E-Z1C-W1-W](#) [X2E-Z4C-D2-A](#) [PuIM-1G4T-I211-BP-R10](#)

[PuIM-1G4T-I211-R10](#) [PUZZLE-IN003B-C0/8G-R10](#) [XXV710DA2OCP2](#) [MO11AA003-01R](#) [WP20010NMK-01](#) [WP500100S-01](#)

[XP1001000-05R](#) [XP1001000M-05R](#) [XP100200S-05R](#) [XPDNC2000-01](#) [XPP100200S-02R](#) [112113-0001](#) [112113-0007](#) [1203630001](#) [SST-](#)

[DN4-PCU](#) [2200515](#) [XpressV7-LP690HE-Gen3](#) [113990838](#) [SD-300-US](#) [MGM13P02F512GA-V2](#) [MGM13S02F512GA-V3](#)