

目錄

1. 適用範圍 ----- 1頁

2. 適用標準 ----- 1頁

3. 使用溫度範圍 ----- 1頁

4. 品名構成說明 ----- 1頁

5. 標誌說明 ----- 6頁

6. 特性參數 ----- 7頁

7. 規格及測試方法 ----- 13頁

8. 特性曲線圖 ----- 16頁

9. 包裝及數量(編帶品) ----- 17頁

10. 包裝及數量(散裝品) ----- 20頁

11. 標籤範例 ----- 20頁

12. 修定事項說明 ----- 20頁

| 制定部門 | 制定日期      | 文件編號          |
|------|-----------|---------------|
| 技術部  | 2012.7.17 | WM-S08-003B04 |

HGK TYPE - 高介電常數品(CLASS 2系列)

NO:WM-S08-003B04

1. 適用範圍

本規格書適用於電子設備使用的具高介電常數(2類介質)高壓固定瓷介電容.

2. 適用標準

IEC384-9:1998

GB/T5698-1996

GB9322-88

3. 使用溫度範圍

-25~+125°C

4. 品名構成說明

例: HGK 3A B 102 K B 2 B 5 D W  
 ① ② ③ ④ ⑤ ⑥ ⑦ ⑧ ⑨ ⑩ ⑪

- ① 電容器種類別:2類高介電常數品
- ② 額定電壓
- ③ 溫度特性
- ④ 公稱靜電容量
- ⑤ 靜電容量公差
- ⑥ 引腳形狀
- ⑦ 引腳間距
- ⑧ 包裝方式
- ⑨ 引腳長度
- ⑩ 包封材料
- ⑪ 特記代碼

4.1 電容器種類

| 類別  | 表示說明     |
|-----|----------|
| HGK | 2類高介電常數品 |

4.2 額定電壓

| 代碼 | 額定電壓  |
|----|-------|
| 3A | DC1KV |
| 3D | DC2KV |
| 3F | DC3KV |
| 3G | DC4KV |
| 3H | DC5KV |
| 3J | DC6KV |

NO:WM-S08-003B04

4.3 溫度特性

| 代碼 | 溫度特性 | 容量變化率     | 溫度範圍     |
|----|------|-----------|----------|
| B  | Y5P  | ±10%      | -25~85°C |
| X  | X7R  | ±15%      |          |
| E  | Y5U  | +20%~-55% |          |
| F  | Y5V  | +30%~-80% |          |

4.4 公稱靜電容量

公稱靜電容量採用三位元數表示法. 前面2位數位為有效數值, 第三位數位表示0的個數.

例:

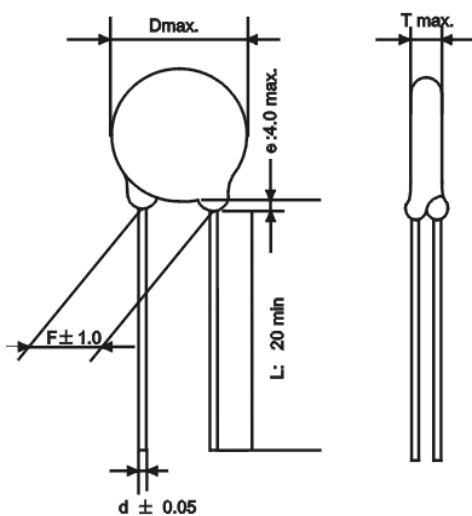
| 代碼  | 靜電容量 ( p F ) |
|-----|--------------|
| 101 | 100          |
| 102 | 1000         |
| 222 | 2200         |
| 103 | 10000        |

4.5 靜電容量公差

| 代碼 | 許容差       |
|----|-----------|
| K  | ±10%      |
| M  | ±20%      |
| Z  | -20%~+80% |

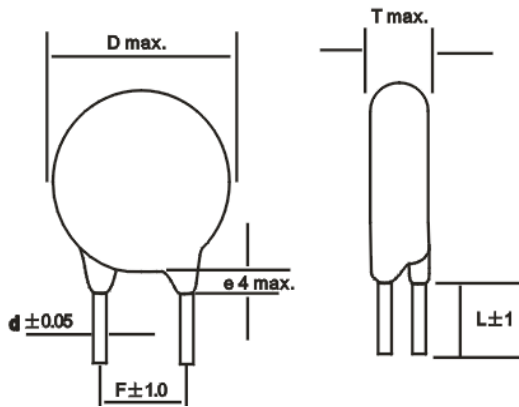
4.6 引腳形狀

4.6.1 直腳長導線型(引腳代碼:A)



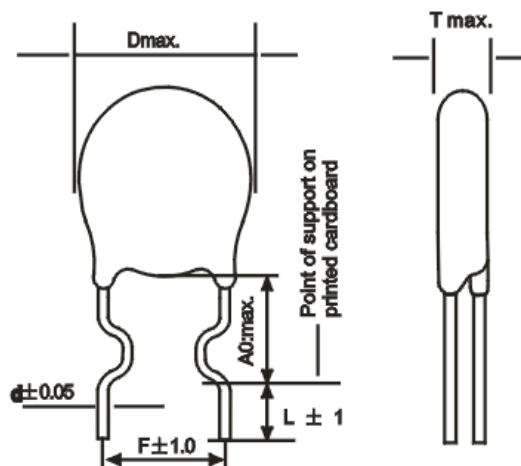
| 代碼     | A1       | A2 | A3  | A4 |
|--------|----------|----|-----|----|
| F (mm) | 2.5      | 5  | 7.5 | 10 |
| L (mm) | 20 min   |    |     |    |
| d (mm) | 0.5或0.55 |    |     |    |
| e (mm) | 4.0 max  |    |     |    |

4.6.2直腳短導線型(引腳代碼:B)



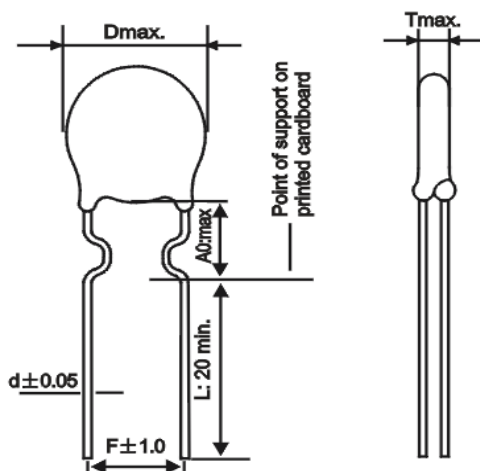
|        |          |    |     |    |
|--------|----------|----|-----|----|
| 代碼     | B1       | B2 | B3  | B4 |
| F (mm) | 2.5      | 5  | 7.5 | 10 |
| L (mm) | 5或依顧客要求  |    |     |    |
| d (mm) | 0.5或0.55 |    |     |    |
| e (mm) | 4.0 max  |    |     |    |

4.6.3內彎短導線型(引腳代碼:C)



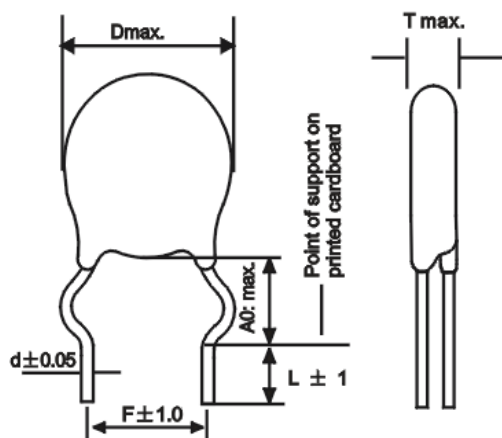
|         |          |     |     |
|---------|----------|-----|-----|
| 代碼      | C2       | C3  | C4  |
| F (mm)  | 5        | 7.5 | 10  |
| A0 (mm) | 5        | 5   | 6.5 |
| L (mm)  | 5或依顧客要求  |     |     |
| d (mm)  | 0.5或0.55 |     |     |

4.6.4內彎長導線型(引腳代碼:D)



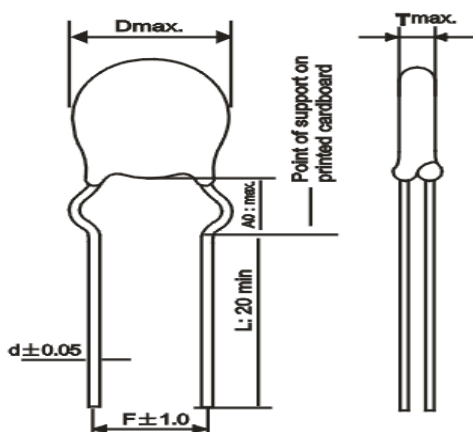
|         |          |     |     |
|---------|----------|-----|-----|
| 代碼      | D2       | D3  | D4  |
| F (mm)  | 5        | 7.5 | 10  |
| A0 (mm) | 5        | 5   | 6.5 |
| L (mm)  | 20 min   |     |     |
| d (mm)  | 0.5或0.55 |     |     |

4.6.5外彎短導線型(引腳代碼:E)



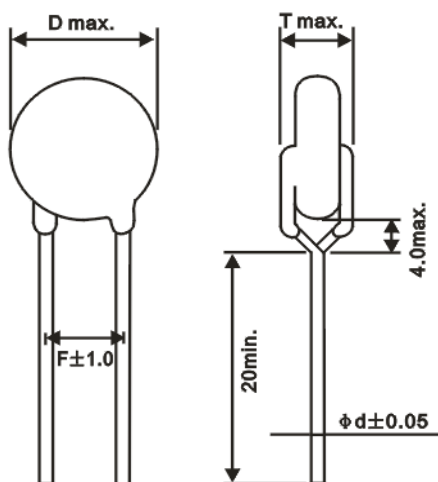
| 代碼      | E2       | E3  | E4  |
|---------|----------|-----|-----|
| F (mm)  | 5        | 7.5 | 10  |
| A0 (mm) | 5        | 5   | 6.5 |
| L (mm)  | 5或依顧客要求  |     |     |
| d (mm)  | 0.5或0.55 |     |     |

4.6.6外彎長導線型(引腳代碼:F)



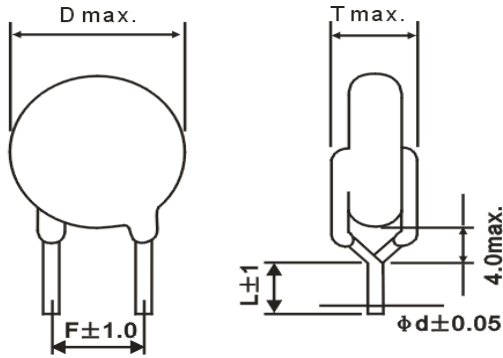
| 代碼      | F2       | F3  | F4  |
|---------|----------|-----|-----|
| F (mm)  | 5        | 7.5 | 10  |
| A0 (mm) | 5        | 5   | 6.5 |
| L (mm)  | 20 min   |     |     |
| d (mm)  | 0.5或0.55 |     |     |

4.6.7側彎長導線型(引腳代碼:G)



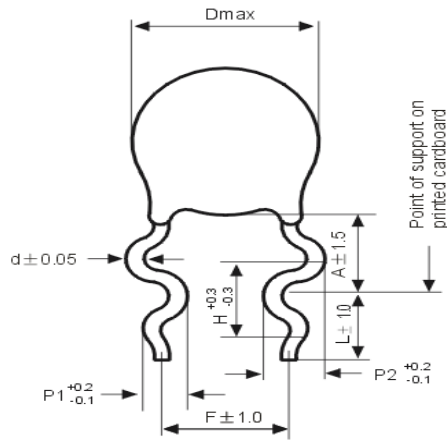
| 代碼     | G2       | G3  | G4 |
|--------|----------|-----|----|
| F (mm) | 5        | 7.5 | 10 |
| L (mm) | 20 min   |     |    |
| d (mm) | 0.5或0.55 |     |    |

4.6.8側彎短導線型(引腳代碼:H)



| 代碼     | H2       | H3  | H4 |
|--------|----------|-----|----|
| F (mm) | 5        | 7.5 | 10 |
| L (mm) | 5或依顧客要求  |     |    |
| d (mm) | 0.5或0.55 |     |    |

4.6.9雙彎短導線型(引腳代碼:M)



| 代碼      | M2                              | M3   | M4   |
|---------|---------------------------------|------|------|
| F (mm)  | 5                               | 7.5  | 10   |
| H (mm)  | 2.6                             | 2.6  | 3.3  |
| P1 (mm) | 1.25                            | 1.25 | 1.65 |
| P2 (mm) | 1.65                            | 1.65 | 1.95 |
| A0 (mm) | D < 8: 6 ± 1.5 / D > 8: 7 ± 1.5 |      |      |
| L (mm)  | 5或依顧客要求                         |      |      |
| d (mm)  | 0.5或0.55                        |      |      |

4.7 引腳間距:

| 代碼 | 引腳間距 (mm)  |
|----|------------|
| 1  | 2.5 ± 1.0  |
| 2  | 5.0 ± 1.0  |
| 3  | 7.5 ± 1.0  |
| 4  | 10.0 ± 1.0 |

4.11 特記代碼:

| 代碼 | 說明        |
|----|-----------|
| W  | 符合RoHS    |
| L  | 无卤/符合RoHS |
| —  | 含鉛        |

4.8 包裝方式:

| 代碼 | 包裝方式 | P (mm) |
|----|------|--------|
| B  | 單品散裝 | ---    |
| A  | 折疊編帶 | 12.7   |
| C  | 折疊編帶 | 25.4   |
| R  | 卷軸編帶 | 12.7   |





4.9 引腳長度:

| 代碼  | 引腳長度 (mm) |
|-----|-----------|
| 5   | 5 ± 1     |
| --- | 20 min    |

4.10 包封材料:

| 代碼 | 說明     |
|----|--------|
| D  | 黃色酚醛包封 |
| —  | 藍色環氧包封 |

5. 標誌

| 溫度特性              | 標誌   | 圖例  |
|-------------------|--|---|
| 5.1溫度特性<br>B(Y5P) | 1.商標<br>2.溫度特性<br>3.公稱容量<br>4.許容差<br>5.額定電壓<br>6.內部追溯碼 |    |
| 5.2溫度特性<br>X(X7R) | 1.商標<br>2.溫度特性<br>3.公稱容量<br>4.許容差<br>5.額定電壓<br>6.內部追溯碼 |   |
| 5.3溫度特性<br>E(Y5U) | 1.商標<br>2.溫度特性<br>3.公稱容量<br>4.許容差<br>5.額定電壓<br>6.內部追溯碼 |  |
| 5.4溫度特性<br>F(Y5V) | 1.商標<br>2.溫度特性<br>3.公稱容量<br>4.許容差<br>5.額定電壓<br>6.內部追溯碼 |  |

6.特性參數

NO:WM-S08-003B04

6.1額定電壓:1KV DC

| 品名            | 額定電壓   | 溫度特性  | 靜電容量(pF) | 許容差 | 尺寸(mm) |       |        |         |
|---------------|--------|-------|----------|-----|--------|-------|--------|---------|
|               |        |       |          |     | D(max) | F±1.0 | T(max) | d*±0.05 |
| HGK3AB101○□□□ | 1KV DC | B/Y5P | 100      | K,M | 7.0    | 5.0   | 4.0    | 0.5     |
| HGK3AB121○□□□ |        |       | 120      |     | 7.0    | 5.0   | 4.0    | 0.5     |
| HGK3AB151○□□□ |        |       | 150      |     | 7.0    | 5.0   | 4.0    | 0.5     |
| HGK3AB181○□□□ |        |       | 180      |     | 7.0    | 5.0   | 4.0    | 0.5     |
| HGK3AB221○□□□ |        |       | 220      |     | 7.0    | 5.0   | 4.0    | 0.5     |
| HGK3AB271○□□□ |        |       | 270      |     | 7.0    | 5.0   | 4.0    | 0.5     |
| HGK3AB331○□□□ |        |       | 330      |     | 7.0    | 5.0   | 4.0    | 0.5     |
| HGK3AB391○□□□ |        |       | 390      |     | 7.0    | 5.0   | 4.0    | 0.5     |
| HGK3AB471○□□□ |        |       | 470      |     | 7.0    | 5.0   | 4.0    | 0.5     |
| HGK3AB561○□□□ |        |       | 560      |     | 7.0    | 5.0   | 4.0    | 0.5     |
| HGK3AB681○□□□ |        |       | 680      |     | 7.0    | 5.0   | 4.0    | 0.5     |
| HGK3AB821○□□□ |        |       | 820      |     | 7.0    | 5.0   | 4.0    | 0.5     |
| HGK3AB102○□□□ |        |       | 1000     |     | 7.0    | 5.0   | 4.0    | 0.5     |
| HGK3AB122○□□□ |        |       | 1200     |     | 7.0    | 5.0   | 4.0    | 0.5     |
| HGK3AB152○□□□ |        |       | 1500     |     | 8.0    | 5.0   | 4.0    | 0.5     |
| HGK3AB182○□□□ |        |       | 1800     |     | 9.0    | 5.0   | 4.0    | 0.5     |
| HGK3AB222○□□□ |        |       | 2200     |     | 9.0    | 5.0   | 4.0    | 0.5     |
| HGK3AB272○□□□ |        |       | 2700     |     | 10.0   | 5.0   | 4.0    | 0.5     |
| HGK3AB332○□□□ |        |       | 3300     |     | 11.0   | 5.0   | 4.0    | 0.5     |
| HGK3AB392○□□□ |        |       | 3900     |     | 12.0   | 7.5   | 4.0    | 0.5     |
| HGK3AB472○□□□ | 4700   | 13.0  | 7.5      | 4.0 | 0.5    |       |        |         |
| HGK3AB562○□□□ | 5600   | 14.0  | 7.5      | 4.0 | 0.55   |       |        |         |
| HGK3AB682○□□□ | 6800   | 15.0  | 7.5      | 4.0 | 0.55   |       |        |         |
| HGK3AB822○□□□ | 8200   | 17.0  | 7.5      | 4.0 | 0.55   |       |        |         |
| HGK3AB103○□□□ | 10000  | 18.0  | 10.0     | 4.0 | 0.55   |       |        |         |
| HGK3AE102○□□□ | 1KV DC | E/Y5U | 1000     | M,Z | 7.0    | 5.0   | 4.0    | 0.5     |
| HGK3AE122○□□□ |        |       | 1200     |     | 7.0    | 5.0   | 4.0    | 0.5     |
| HGK3AE152○□□□ |        |       | 1500     |     | 7.0    | 5.0   | 4.0    | 0.5     |
| HGK3AE182○□□□ |        |       | 1800     |     | 7.0    | 5.0   | 4.0    | 0.5     |
| HGK3AE222○□□□ |        |       | 2200     |     | 7.0    | 5.0   | 4.0    | 0.5     |
| HGK3AE272○□□□ |        |       | 2700     |     | 8.0    | 5.0   | 4.0    | 0.5     |
| HGK3AE332○□□□ |        |       | 3300     |     | 8.0    | 5.0   | 4.0    | 0.5     |
| HGK3AE392○□□□ |        |       | 3900     |     | 9.0    | 5.0   | 4.0    | 0.5     |
| HGK3AE472○□□□ |        |       | 4700     |     | 10.0   | 5.0   | 4.0    | 0.5     |
| HGK3AE562○□□□ |        |       | 5600     |     | 10.0   | 5.0   | 4.0    | 0.55    |
| HGK3AE682○□□□ | 6800   | 11.0  | 7.5      | 4.0 | 0.55   |       |        |         |
| HGK3AE103○□□□ | 10000  | 12.0  | 7.5      | 4.0 | 0.55   |       |        |         |
| HGK3AE203○□□□ | 20000  | 14.0  | 7.5      | 4.0 | 0.55   |       |        |         |
| HGK3AE223○□□□ | 22000  | 18.0  | 7.5      | 4.0 | 0.55   |       |        |         |
| HGK3AF102○□□□ | 1KV DC | F/Y5V | 1000     | M,Z | 6.5    | 5.0   | 4.0    | 0.5     |
| HGK3AF122○□□□ |        |       | 1200     |     | 6.5    | 5.0   | 4.0    | 0.5     |
| HGK3AF152○□□□ |        |       | 1500     |     | 6.5    | 5.0   | 4.0    | 0.5     |
| HGK3AF182○□□□ |        |       | 1800     |     | 6.5    | 5.0   | 4.0    | 0.5     |
| HGK3AF222○□□□ |        |       | 2200     |     | 6.5    | 5.0   | 4.0    | 0.5     |
| HGK3AF272○□□□ |        |       | 2700     |     | 6.5    | 5.0   | 4.0    | 0.5     |
| HGK3AF332○□□□ |        |       | 3300     |     | 7.0    | 5.0   | 4.0    | 0.5     |
| HGK3AF392○□□□ |        |       | 3900     |     | 8.0    | 5.0   | 4.0    | 0.5     |
| HGK3AF472○□□□ |        |       | 4700     |     | 8.0    | 5.0   | 4.0    | 0.5     |
| HGK3AF562○□□□ |        |       | 5600     |     | 8.0    | 5.0   | 4.0    | 0.5     |
| HGK3AF682○□□□ |        |       | 6800     |     | 9.5    | 5.0   | 4.0    | 0.5     |
| HGK3AF103○□□□ |        |       | 10000    |     | 10.0   | 7.5   | 4.0    | 0.5     |
| HGK3AF203○□□□ |        |       | 20000    |     | 14.0   | 7.5   | 4.0    | 0.55    |
| HGK3AF223○□□□ |        |       | 22000    |     | 14.0   | 7.5   | 4.0    | 0.55    |
| HGK3AF303○□□□ | 30000  | 17.0  | 10.0     | 4.0 | 0.55   |       |        |         |
| HGK3AF333○□□□ | 33000  | 17.0  | 10.0     | 4.0 | 0.55   |       |        |         |

注: □包裝方式代碼:B(散裝單品),A(折疊編帶),R(卷軸編帶)  
 □引腳間距代碼  
 □引腳形狀代碼  
 ○許容差:K(±10%),M(±20%),Z(-20%~+80%)



6.2額定電壓:2KV DC

| 品名            | 額定電壓   | 溫度特性  | 靜電容量(pF) | 許容差 | 尺寸(mm) |       |        |         |
|---------------|--------|-------|----------|-----|--------|-------|--------|---------|
|               |        |       |          |     | D(max) | F±1.0 | T(max) | d*±0.05 |
| HGK3DB101○□□□ | 2KV DC | B/Y5P | 100      | K,M | 7.0    | 5.0   | 5.0    | 0.55    |
| HGK3DB121○□□□ |        |       | 120      |     | 7.0    | 5.0   | 5.0    | 0.55    |
| HGK3DB151○□□□ |        |       | 150      |     | 7.0    | 5.0   | 5.0    | 0.55    |
| HGK3DB181○□□□ |        |       | 180      |     | 7.0    | 5.0   | 5.0    | 0.55    |
| HGK3DB221○□□□ |        |       | 220      |     | 7.0    | 5.0   | 5.0    | 0.55    |
| HGK3DB271○□□□ |        |       | 270      |     | 7.0    | 5.0   | 5.0    | 0.55    |
| HGK3DB331○□□□ |        |       | 330      |     | 7.0    | 5.0   | 5.0    | 0.55    |
| HGK3DB391○□□□ |        |       | 390      |     | 7.0    | 5.0   | 5.0    | 0.55    |
| HGK3DB471○□□□ |        |       | 470      |     | 7.0    | 5.0   | 5.0    | 0.55    |
| HGK3DB561○□□□ |        |       | 560      |     | 8.0    | 5.0   | 5.0    | 0.55    |
| HGK3DB681○□□□ |        |       | 680      |     | 8.0    | 5.0   | 5.0    | 0.55    |
| HGK3DB821○□□□ |        |       | 820      |     | 8.0    | 5.0   | 5.0    | 0.55    |
| HGK3DB102○□□□ |        |       | 1000     |     | 9.0    | 5.0   | 5.0    | 0.55    |
| HGK3DB122○□□□ |        |       | 1200     |     | 9.0    | 5.0   | 5.0    | 0.55    |
| HGK3DB152○□□□ |        |       | 1500     |     | 10.0   | 7.5   | 5.0    | 0.55    |
| HGK3DB182○□□□ |        |       | 1800     |     | 11.0   | 7.5   | 5.0    | 0.55    |
| HGK3DB222○□□□ |        |       | 2200     |     | 11.0   | 7.5   | 5.0    | 0.55    |
| HGK3DB272○□□□ |        |       | 2700     |     | 13.0   | 10.0  | 5.0    | 0.55    |
| HGK3DB332○□□□ | 3300   | 14.5  | 10.0     | 5.0 | 0.55   |       |        |         |
| HGK3DB392○□□□ | 3900   | 15.0  | 10.0     | 5.0 | 0.55   |       |        |         |
| HGK3DB472○□□□ | 4700   | 17.0  | 10.0     | 5.0 | 0.55   |       |        |         |
| HGK3DE102○□□□ | 2KV DC | E/Y5U | 1000     | M,Z | 7.0    | 5.0   | 5.0    | 0.55    |
| HGK3DE122○□□□ |        |       | 1200     |     | 7.0    | 5.0   | 5.0    | 0.55    |
| HGK3DE152○□□□ |        |       | 1500     |     | 8.0    | 5.0   | 5.0    | 0.55    |
| HGK3DE182○□□□ |        |       | 1800     |     | 8.0    | 5.0   | 5.0    | 0.55    |
| HGK3DE222○□□□ |        |       | 2200     |     | 8.0    | 7.5   | 5.0    | 0.55    |
| HGK3DE272○□□□ |        |       | 2700     |     | 10.0   | 7.5   | 5.0    | 0.55    |
| HGK3DE332○□□□ |        |       | 3300     |     | 10.0   | 7.5   | 5.0    | 0.55    |
| HGK3DE392○□□□ |        |       | 3900     |     | 11.0   | 7.5   | 5.0    | 0.55    |
| HGK3DE472○□□□ |        |       | 4700     |     | 11.0   | 7.5   | 5.0    | 0.55    |
| HGK3DE562○□□□ |        |       | 5600     |     | 14.0   | 10.0  | 5.0    | 0.55    |
| HGK3DE682○□□□ |        |       | 6800     |     | 15.0   | 10.0  | 5.0    | 0.55    |
| HGK3DE103○□□□ |        |       | 10000    |     | 18.0   | 10.0  | 5.0    | 0.55    |
| HGK3DF102○□□□ | 2KV DC | F/Y5V | 1000     | M,Z | 7.0    | 5.0   | 5.0    | 0.55    |
| HGK3DF152○□□□ |        |       | 1500     |     | 7.0    | 5.0   | 5.0    | 0.55    |
| HGK3DF182○□□□ |        |       | 1800     |     | 7.0    | 5.0   | 5.0    | 0.55    |
| HGK3DF222○□□□ |        |       | 2200     |     | 7.0    | 5.0   | 5.0    | 0.55    |
| HGK3DF332○□□□ |        |       | 3300     |     | 8.0    | 7.5   | 5.0    | 0.55    |
| HGK3DF392○□□□ |        |       | 3900     |     | 9.0    | 7.5   | 5.0    | 0.55    |
| HGK3DF472○□□□ |        |       | 4700     |     | 10.0   | 7.5   | 5.0    | 0.55    |
| HGK3DF682○□□□ |        |       | 6800     |     | 11.0   | 7.5   | 5.0    | 0.55    |
| HGK3DF103○□□□ |        |       | 10000    |     | 13.0   | 10.0  | 5.0    | 0.55    |
| HGK3DF203○□□□ |        |       | 20000    |     | 18.0   | 10.0  | 5.0    | 0.55    |
| HGK3DF223○□□□ | 22000  | 18.0  | 10.0     | 5.0 | 0.55   |       |        |         |

注: □包裝方式代碼:B(散裝單品),A(折疊編帶),R(卷軸編帶)  
 □引腳間距代碼  
 □引腳形狀代碼  
 ○許容差:K(±10%),M(±20%),Z(-20%~+80%)

6.2額定電壓:3KV DC

| 品名            | 額定電壓   | 溫度特性  | 靜電容量(pF) | 許容差 | 尺寸(mm) |       |        |         |
|---------------|--------|-------|----------|-----|--------|-------|--------|---------|
|               |        |       |          |     | D(max) | F±1.0 | T(max) | d*±0.05 |
| HGK3FB101○□□□ | 3KV DC | B/Y5P | 100      | K,M | 8.0    | 7.5   | 6.0    | 0.55    |
| HGK3FB121○□□□ |        |       | 120      |     | 8.0    | 7.5   | 6.0    | 0.55    |
| HGK3FB151○□□□ |        |       | 150      |     | 8.0    | 7.5   | 6.0    | 0.55    |
| HGK3FB181○□□□ |        |       | 180      |     | 8.0    | 7.5   | 6.0    | 0.55    |
| HGK3FB221○□□□ |        |       | 220      |     | 8.0    | 7.5   | 6.0    | 0.55    |
| HGK3FB271○□□□ |        |       | 270      |     | 8.0    | 7.5   | 6.0    | 0.55    |
| HGK3FB331○□□□ |        |       | 330      |     | 8.0    | 7.5   | 6.0    | 0.55    |
| HGK3FB391○□□□ |        |       | 390      |     | 8.0    | 7.5   | 6.0    | 0.55    |
| HGK3FB471○□□□ |        |       | 470      |     | 8.0    | 7.5   | 6.0    | 0.55    |
| HGK3FB561○□□□ |        |       | 560      |     | 8.0    | 7.5   | 6.0    | 0.55    |
| HGK3FB681○□□□ |        |       | 680      |     | 9.0    | 7.5   | 6.0    | 0.55    |
| HGK3FB821○□□□ |        |       | 820      |     | 10.0   | 7.5   | 6.0    | 0.55    |
| HGK3FB102○□□□ |        |       | 1000     |     | 11.0   | 7.5   | 6.0    | 0.55    |
| HGK3FB122○□□□ |        |       | 1200     |     | 11.0   | 7.5   | 6.0    | 0.55    |
| HGK3FB152○□□□ |        |       | 1500     |     | 12.0   | 10.0  | 6.0    | 0.55    |
| HGK3FB182○□□□ |        |       | 1800     |     | 13.0   | 10.0  | 6.0    | 0.55    |
| HGK3FB222○□□□ |        |       | 2200     |     | 14.0   | 10.0  | 6.0    | 0.55    |
| HGK3FB272○□□□ |        |       | 2700     |     | 15.0   | 10.0  | 6.0    | 0.55    |
| HGK3FB332○□□□ |        |       | 3300     |     | 17.0   | 10.0  | 6.0    | 0.55    |
| HGK3FB392○□□□ |        |       | 3900     |     | 18.0   | 10.0  | 6.0    | 0.55    |
| HGK3FB472○□□□ | 4700   | 19.0  | 10.0     | 6.0 | 0.55   |       |        |         |
| HGK3FE102○□□□ | 3KV DC | E/Y5U | 1000     | M,Z | 8.0    | 7.5   | 6.0    | 0.55    |
| HGK3FE122○□□□ |        |       | 1200     |     | 9.0    | 7.5   | 6.0    | 0.55    |
| HGK3FE152○□□□ |        |       | 1500     |     | 9.0    | 7.5   | 6.0    | 0.55    |
| HGK3FE182○□□□ |        |       | 1800     |     | 9.0    | 7.5   | 6.0    | 0.55    |
| HGK3FE222○□□□ |        |       | 2200     |     | 10.0   | 7.5   | 6.0    | 0.55    |
| HGK3FE272○□□□ |        |       | 2700     |     | 10.0   | 7.5   | 6.0    | 0.55    |
| HGK3FE332○□□□ |        |       | 3300     |     | 11.0   | 7.5   | 6.0    | 0.55    |
| HGK3FE392○□□□ |        |       | 3900     |     | 12.0   | 7.5   | 6.0    | 0.55    |
| HGK3FE472○□□□ |        |       | 4700     |     | 13.0   | 7.5   | 6.0    | 0.55    |
| HGK3FE562○□□□ |        |       | 5600     |     | 15.0   | 10.0  | 6.0    | 0.55    |
| HGK3FE682○□□□ | 6800   | 16.0  | 10.0     | 6.0 | 0.55   |       |        |         |
| HGK3FE103○□□□ | 10000  | 19.0  | 10.0     | 6.0 | 0.55   |       |        |         |
| HGK3FF102○□□□ | 3KV DC | F/Y5V | 1000     | M,Z | 8.0    | 7.5   | 6.0    | 0.55    |
| HGK3FF152○□□□ |        |       | 1500     |     | 8.0    | 7.5   | 6.0    | 0.55    |
| HGK3FF182○□□□ |        |       | 1800     |     | 8.0    | 7.5   | 6.0    | 0.55    |
| HGK3FF222○□□□ |        |       | 2200     |     | 8.0    | 7.5   | 6.0    | 0.55    |
| HGK3FF332○□□□ |        |       | 3300     |     | 9.0    | 7.5   | 6.0    | 0.55    |
| HGK3FF392○□□□ |        |       | 3900     |     | 11.0   | 7.5   | 6.0    | 0.55    |
| HGK3FF472○□□□ |        |       | 4700     |     | 11.0   | 7.5   | 6.0    | 0.55    |
| HGK3FF682○□□□ |        |       | 6800     |     | 12.0   | 10.0  | 6.0    | 0.55    |
| HGK3FF103○□□□ |        |       | 10000    |     | 15.0   | 10.0  | 6.0    | 0.55    |
| HGK3FF223○□□□ |        |       | 22000    |     | 21.0   | 10.0  | 6.0    | 0.55    |

注: 包裝方式代碼:B(散裝單品),A(折疊編帶),R(卷軸編帶)  
引腳間距代碼  
引腳形狀代碼  
許容差:K(±10%),M(±20%),Z(-20%~+80%)

6.3額定電壓:4KV DC /6KV DC

| 品名            | 額定電壓   | 溫度特性  | 靜電容量(pF) | 許容差   | 尺寸(mm) |       |        |        |      |
|---------------|--------|-------|----------|-------|--------|-------|--------|--------|------|
|               |        |       |          |       | D(max) | F±1.0 | T(max) | d±0.05 |      |
| HGK3GB101○□□□ | 4KV DC | B/Y5P | 100      | K,M   | 8.0    | 10.0  | 6.0    | 0.55   |      |
| HGK3GB151○□□□ |        |       | 150      |       | 8.0    | 10.0  | 6.0    | 0.55   |      |
| HGK3GB221○□□□ |        |       | 220      |       | 8.0    | 10.0  | 6.0    | 0.55   |      |
| HGK3GB331○□□□ |        |       | 330      |       | 8.0    | 10.0  | 6.0    | 0.55   |      |
| HGK3GB471○□□□ |        |       | 470      |       | 9.0    | 10.0  | 6.0    | 0.55   |      |
| HGK3GB681○□□□ |        |       | 680      |       | 10.0   | 10.0  | 6.0    | 0.55   |      |
| HGK3GB102○□□□ |        | 820   | 12.0     | 10.0  | 6.0    | 0.55  |        |        |      |
| HGK3GE102○□□□ |        | 1000  | E/Y5U    | 1000  | M,Z    | 9.0   | 10.0   | 6.0    | 0.55 |
| HGK3GE152○□□□ |        | 1500  |          | 11.0  |        | 10.0  | 6.0    | 0.55   |      |
| HGK3GE222○□□□ |        | 2200  |          | 12.0  |        | 10.0  | 6.0    | 0.55   |      |
| HGK3GE332○□□□ |        | 3300  |          | 14.0  |        | 10.0  | 6.0    | 0.55   |      |
| HGK3GE472○□□□ |        | 4700  |          | 17.0  |        | 10.0  | 6.0    | 0.55   |      |
| HGK3GF102○□□□ |        | 1000  |          | F/Y5V |        | 1000  | M,Z    | 8.0    | 10.0 |
| HGK3GF152○□□□ |        | 1500  | 8.5      |       | 10.0   | 6.0   |        | 0.55   |      |
| HGK3GF222○□□□ |        | 2200  | 9.0      |       | 10.0   | 6.0   |        | 0.55   |      |
| HGK3GF332○□□□ |        | 3300  | 11.0     |       | 10.0   | 6.0   |        | 0.55   |      |
| HGK3GF472○□□□ |        | 4700  | 12.0     |       | 10.0   | 6.0   |        | 0.55   |      |
| HGK3GF103○□□□ |        | 10000 | 17.0     |       | 10.0   | 6.0   |        | 0.55   |      |
| HGK3JB101○□□□ | 6KV DC | B/Y5P | 100      | K,M   | 8.0    | 10.0  | 7.0    | 0.55   |      |
| HGK3JB151○□□□ |        |       | 150      |       | 8.0    | 10.0  | 7.0    | 0.55   |      |
| HGK3JB221○□□□ |        |       | 220      |       | 9.0    | 10.0  | 7.0    | 0.55   |      |
| HGK3JB331○□□□ |        |       | 330      |       | 9.0    | 10.0  | 7.0    | 0.55   |      |
| HGK3JB471○□□□ |        |       | 470      |       | 9.0    | 10.0  | 7.0    | 0.55   |      |
| HGK3JB681○□□□ |        |       | 680      |       | 11.0   | 10.0  | 7.0    | 0.55   |      |
| HGK3JB102○□□□ |        | 820   | 13.0     | 10.0  | 7.0    | 0.55  |        |        |      |
| HGK3JE102○□□□ |        | 1000  | E/Y5U    | 1000  | M,Z    | 9.0   | 10.0   | 7.0    | 0.55 |
| HGK3JE152○□□□ |        | 1500  |          | 10.0  |        | 10.0  | 7.0    | 0.55   |      |
| HGK3JE222○□□□ |        | 2200  |          | 12.0  |        | 10.0  | 7.0    | 0.55   |      |
| HGK3JE332○□□□ |        | 3300  |          | 13.0  |        | 10.0  | 7.0    | 0.55   |      |
| HGK3JE472○□□□ |        | 4700  |          | 17.0  |        | 10.0  | 7.0    | 0.55   |      |
| HGK3JF102○□□□ |        | 1000  |          | F/Y5V |        | 1000  | M,Z    | 8.0    | 10.0 |
| HGK3JF152○□□□ |        | 1500  | 9.0      |       | 10.0   | 7.0   |        | 0.55   |      |
| HGK3JF222○□□□ |        | 2200  | 10.0     |       | 10.0   | 7.0   |        | 0.55   |      |
| HGK3JF332○□□□ |        | 3300  | 11.0     |       | 10.0   | 7.0   |        | 0.55   |      |
| HGK3JF472○□□□ |        | 4700  | 13.0     |       | 10.0   | 7.0   |        | 0.55   |      |
| HGK3JF103○□□□ |        | 10000 | 20.0     |       | 10.0   | 7.0   |        | 0.55   |      |

注: □包裝方式代碼:B(散裝單品),A(折疊編帶),R(卷軸編帶)  
 □引腳間距代碼  
 □引腳形狀代碼  
 ○許容差:K(±10%),M(±20%),Z(-20%~+80%)

6.4額定電壓:1KV DC /2KV DC X7R

| 品名            | 額定電壓   | 溫度特性  | 靜電容量(pF) | 許容差 | 尺寸(mm) |       |        |         |
|---------------|--------|-------|----------|-----|--------|-------|--------|---------|
|               |        |       |          |     | D(max) | F±1.0 | T(max) | d*±0.05 |
| HGK3AX101○□□□ | 1KV DC | X/X7R | 100      | K   | 7.0    | 5.0   | 4.0    | 0.5     |
| HGK3AX121○□□□ |        |       | 120      |     | 7.0    | 5.0   | 4.0    | 0.5     |
| HGK3AX151○□□□ |        |       | 150      |     | 7.0    | 5.0   | 4.0    | 0.5     |
| HGK3AX181○□□□ |        |       | 180      |     | 7.0    | 5.0   | 4.0    | 0.5     |
| HGK3AX221○□□□ |        |       | 220      |     | 7.0    | 5.0   | 4.0    | 0.5     |
| HGK3AX271○□□□ |        |       | 270      |     | 7.0    | 5.0   | 4.0    | 0.5     |
| HGK3AX331○□□□ |        |       | 330      |     | 7.0    | 5.0   | 4.0    | 0.5     |
| HGK3AX391○□□□ |        |       | 390      |     | 7.0    | 5.0   | 4.0    | 0.5     |
| HGK3AX471○□□□ |        |       | 470      |     | 7.0    | 5.0   | 4.0    | 0.5     |
| HGK3AX561○□□□ |        |       | 560      |     | 7.0    | 5.0   | 4.0    | 0.5     |
| HGK3AX681○□□□ |        |       | 680      |     | 7.0    | 5.0   | 4.0    | 0.5     |
| HGK3AX821○□□□ |        |       | 820      |     | 7.0    | 5.0   | 4.0    | 0.5     |
| HGK3AX102○□□□ |        |       | 1000     |     | 7.0    | 5.0   | 4.0    | 0.5     |
| HGK3AX122○□□□ |        |       | 1200     |     | 7.0    | 5.0   | 4.0    | 0.5     |
| HGK3AX152○□□□ |        |       | 1500     |     | 8.0    | 5.0   | 4.0    | 0.5     |
| HGK3AX182○□□□ |        |       | 1800     |     | 9.0    | 5.0   | 4.0    | 0.5     |
| HGK3AX222○□□□ |        |       | 2200     |     | 9.0    | 5.0   | 4.0    | 0.5     |
| HGK3AX272○□□□ |        |       | 2700     |     | 10.0   | 5.0   | 4.0    | 0.5     |
| HGK3AX332○□□□ |        |       | 3300     |     | 11.0   | 5.0   | 4.0    | 0.5     |
| HGK3AX392○□□□ |        |       | 3900     |     | 12.0   | 7.5   | 4.0    | 0.55    |
| HGK3AX472○□□□ | 4700   | 13.0  | 7.5      | 4.0 | 0.55   |       |        |         |
| HGK3AX562○□□□ | 5600   | 14.0  | 7.5      | 4.0 | 0.55   |       |        |         |
| HGK3AX682○□□□ | 6800   | 15.5  | 7.5      | 4.0 | 0.55   |       |        |         |
| HGK3AX822○□□□ | 8200   | 17.0  | 7.5      | 4.0 | 0.55   |       |        |         |
| HGK3AX103○□□□ | 10000  | 18.0  | 10.0     | 4.0 | 0.55   |       |        |         |
| HGK3DX101○□□□ | 2KV DC | X/X7R | 100      | K   | 7.0    | 5.0   | 4.0    | 0.55    |
| HGK3DX121○□□□ |        |       | 120      |     | 7.0    | 5.0   | 4.0    | 0.55    |
| HGK3DX151○□□□ |        |       | 150      |     | 7.0    | 5.0   | 4.0    | 0.55    |
| HGK3DX181○□□□ |        |       | 180      |     | 7.0    | 5.0   | 4.0    | 0.55    |
| HGK3DX221○□□□ |        |       | 220      |     | 7.0    | 5.0   | 4.0    | 0.55    |
| HGK3DX271○□□□ |        |       | 270      |     | 7.0    | 5.0   | 4.0    | 0.55    |
| HGK3DX331○□□□ |        |       | 330      |     | 7.0    | 5.0   | 4.0    | 0.55    |
| HGK3DX391○□□□ |        |       | 390      |     | 7.0    | 5.0   | 4.0    | 0.55    |
| HGK3DX471○□□□ |        |       | 470      |     | 7.0    | 5.0   | 4.0    | 0.55    |
| HGK3DX561○□□□ |        |       | 560      |     | 7.0    | 5.0   | 4.0    | 0.55    |
| HGK3DX681○□□□ |        |       | 680      |     | 8.0    | 5.0   | 4.0    | 0.55    |
| HGK3DX821○□□□ |        |       | 820      |     | 8.0    | 5.0   | 4.0    | 0.55    |
| HGK3DX102○□□□ |        |       | 1000     |     | 9.0    | 5.0   | 4.0    | 0.55    |
| HGK3DX122○□□□ |        |       | 1200     |     | 9.0    | 5.0   | 4.0    | 0.55    |
| HGK3DX152○□□□ |        |       | 1500     |     | 10.0   | 5.0   | 4.0    | 0.55    |
| HGK3DX182○□□□ |        |       | 1800     |     | 11.0   | 5.0   | 4.0    | 0.55    |
| HGK3DX222○□□□ |        |       | 2200     |     | 11.0   | 5.0   | 4.0    | 0.55    |
| HGK3DX272○□□□ |        |       | 2700     |     | 13.0   | 5.0   | 4.0    | 0.55    |
| HGK3DX332○□□□ |        |       | 3300     |     | 13.0   | 5.0   | 4.0    | 0.55    |
| HGK3DX392○□□□ |        |       | 3900     |     | 15.0   | 7.5   | 4.0    | 0.55    |
| HGK3DX472○□□□ | 4700   | 17.0  | 7.5      | 4.0 | 0.55   |       |        |         |

注: □包裝方式代碼:B(散裝單品),A(折疊編帶),R(卷軸編帶)  
 □引腳間距代碼  
 □引腳形狀代碼  
 ○許容差:K(±10%)

6.5額定電壓:3KV DC X7R

| 品名            | 額定電壓   | 溫度特性  | 靜電容量(pF) | 許容差 | 尺寸(mm) |       |        |        |
|---------------|--------|-------|----------|-----|--------|-------|--------|--------|
|               |        |       |          |     | D(max) | F±1.0 | T(max) | d±0.05 |
| HGK3FX101○□□□ | 3KV DC | X/X7R | 100      | K   | 8.0    | 7.5   | 6.0    | 0.55   |
| HGK3FX121○□□□ |        |       | 120      |     | 8.0    | 7.5   | 6.0    | 0.55   |
| HGK3FX151○□□□ |        |       | 150      |     | 8.0    | 7.5   | 6.0    | 0.55   |
| HGK3FX181○□□□ |        |       | 180      |     | 8.0    | 7.5   | 6.0    | 0.55   |
| HGK3FX221○□□□ |        |       | 220      |     | 8.0    | 7.5   | 6.0    | 0.55   |
| HGK3FX271○□□□ |        |       | 270      |     | 8.0    | 7.5   | 6.0    | 0.55   |
| HGK3FX331○□□□ |        |       | 330      |     | 8.0    | 7.5   | 6.0    | 0.55   |
| HGK3FX391○□□□ |        |       | 390      |     | 8.0    | 7.5   | 6.0    | 0.55   |
| HGK3FX471○□□□ |        |       | 470      |     | 8.0    | 7.5   | 6.0    | 0.55   |
| HGK3FX561○□□□ |        |       | 560      |     | 9.0    | 7.5   | 6.0    | 0.55   |
| HGK3FX681○□□□ |        |       | 680      |     | 9.0    | 7.5   | 6.0    | 0.55   |
| HGK3FX821○□□□ |        |       | 820      |     | 10.0   | 7.5   | 6.0    | 0.55   |
| HGK3FX102○□□□ |        |       | 1000     |     | 11.0   | 7.5   | 6.0    | 0.55   |
| HGK3FX122○□□□ |        |       | 1200     |     | 11.0   | 7.5   | 6.0    | 0.55   |
| HGK3FX152○□□□ |        |       | 1500     |     | 12.0   | 7.5   | 6.0    | 0.55   |
| HGK3FX182○□□□ |        |       | 1800     |     | 13.0   | 7.5   | 6.0    | 0.55   |
| HGK3FX222○□□□ |        |       | 2200     |     | 14.0   | 7.5   | 6.0    | 0.55   |
| HGK3FX272○□□□ |        |       | 2700     |     | 15.0   | 7.5   | 6.0    | 0.55   |
| HGK3FX332○□□□ |        |       | 3300     |     | 17.0   | 10.0  | 6.0    | 0.55   |
| HGK3FX392○□□□ |        |       | 3900     |     | 18.0   | 10.0  | 6.0    | 0.55   |
| HGK3FX472○□□□ | 4700   | 19.0  | 10.0     | 6.0 | 0.55   |       |        |        |

- 注:
- 包裝方式代碼:B(散裝單品),A(折疊編帶),R(卷軸編帶)
  - 引腳間距代碼
  - 引腳形狀代碼
  - 許容差:K(±10%)

7. 規格及測試方法

NO:WM-S08-003B04

7.1測試標準條件:a.溫度:15~35°C b.濕度:45~75% c.大氣壓:86~106千帕

(如有爭議時或顧客要求時,採用:a.溫度20±2°C b.濕度:60~70% 大氣壓:86~106千帕)

7.2規格

| NO                | 項目                                       |                          | 規格   | 測試方法   |      |    |                   |       |   |   |      |      |       |      |      |      |
|-------------------|--|--------------------------|--|--|------|----|-------------------|-------|---|---|------|------|-------|------|------|------|
| 1                 | 使用溫度範圍                                   |                          | -25~+125°C                                   |  |      |    |                   |       |   |   |      |      |       |      |      |      |
| 2                 | 外觀及尺寸                                    |                          | 1.外觀無可見損傷<br>2.尺寸符合規格要求                      | 目視檢查外觀.<br>尺寸使用遊標卡尺測量.   |      |    |                   |       |   |   |      |      |       |      |      |      |
| 3                 | 記號                                       |                          | 1.記號清晰可見                                     | 目視檢查.  |      |    |                   |       |   |   |      |      |       |      |      |      |
| 4                 | 靜電容量                                     |                          | 1.符合規定許容差以內                                  | 在溫度20±2°C,<br>以頻率1±0.2KHz, 電壓1V±0.1rms測定.  |      |    |                   |       |   |   |      |      |       |      |      |      |
| 5                 | 損耗系數(D. F值)                              |                          | B,X,E特性:2.5% max<br>F特性:5.0% max             | 在溫度20±2°C,<br>以頻率1±0.2KHz, 電壓1V±0.1rms測定.  |      |    |                   |       |   |   |      |      |       |      |      |      |
| 6                 | 絕緣電阻(IR)                                 |                          | 10000MΩ Min                                  | 以DC500±50V測定60±5秒之後值.  |      |    |                   |       |   |   |      |      |       |      |      |      |
| 7                 | 耐電壓                                      | 端子間                      | 無跳火, 擊穿異常現象.                                 | 施加2.0倍額定電壓(額定電壓範圍:DC1KV~DC3KV), 施加1.5倍額定電壓(額定電壓範圍:DC3KV以上)測定1~5秒, 其充放電流限制50mA以下.   |      |    |                   |       |   |   |      |      |       |      |      |      |
|                   |  | 端子與外裝間                   | 無跳火, 擊穿異常現象.                                 | 如圖(1)使用金屬小球法,<br>以1.3KV DC電壓測定<br>1~5秒.其充放電流<br>限制50mA以下.   |      |    |                   |       |   |   |      |      |       |      |      |      |
| 8                 | 溫度特性                                     |                          | B,X特性:±10%<br>E特性:+20%~-55%<br>F特性:+30%~-80% | <p>預處理：樣本需存放在 85±2°C 環境下 1小時, 然後放置室溫下24±2小時<br/>依規定階段溫度測試(以步驟3為基準)</p> <table border="1"> <thead> <tr> <th>步驟</th> <th>1</th> <th>2</th> <th>3</th> <th>4</th> <th>5</th> </tr> </thead> <tbody> <tr> <td>溫度°C</td> <td>20±2</td> <td>-25±3</td> <td>20±2</td> <td>85±2</td> <td>20±2</td> </tr> </tbody> </table> | 步驟   | 1  | 2                 | 3     | 4 | 5 | 溫度°C | 20±2 | -25±3 | 20±2 | 85±2 | 20±2 |
| 步驟                | 1  | 2                        | 3  | 4  | 5    |    |                   |       |   |   |      |      |       |      |      |      |
| 溫度°C              | 20±2                                     | -25±3                    | 20±2   | 85±2   | 20±2 |    |                   |       |   |   |      |      |       |      |      |      |
| 9                 | 引腳強度                                     | 抗拉強度                     | 導線不斷裂, 電容器不破損.                               | <p>如圖(2)</p> <table border="1"> <thead> <tr> <th>負荷</th> <th>時間</th> </tr> </thead> <tbody> <tr> <td>1.0Kg</td> <td>10±1秒</td> </tr> </tbody> </table>    | 負荷   | 時間 | 1.0Kg             | 10±1秒 |   |   |      |      |       |      |      |      |
|                   |  | 負荷                       |  | 時間   |      |    |                   |       |   |   |      |      |       |      |      |      |
| 1.0Kg             | 10±1秒                                    |                          |  |  |      |    |                   |       |   |   |      |      |       |      |      |      |
| 彎曲強度              | 將電容器本體旋轉到90度位置後釋放到180度相反位置並回到原點.負荷0.5Kg. |                          |  |  |      |    |                   |       |   |   |      |      |       |      |      |      |
| 10                | 耐振性                                      | 外觀                       | 無破缺, 開裂等異常                                   |  |      |    |                   |       |   |   |      |      |       |      |      |      |
|                   |  | 靜電容量變化率                  | 符合規定許容差以內                                    | <table border="1"> <thead> <tr> <th>振動頻率</th> <th>時間</th> </tr> </thead> <tbody> <tr> <td>從10Hz到55Hz再回到10Hz</td> <td>60秒</td> </tr> </tbody> </table>  | 振動頻率 | 時間 | 從10Hz到55Hz再回到10Hz | 60秒   |   |   |      |      |       |      |      |      |
|                   |  | 振動頻率                     | 時間   |  |      |    |                   |       |   |   |      |      |       |      |      |      |
| 從10Hz到55Hz再回到10Hz | 60秒                                      |                          |  |  |      |    |                   |       |   |   |      |      |       |      |      |      |
| 損耗系數(D. F值)       | B,X,E特性:2.5% max<br>F特性:5.0% max         | 全振幅1.5mm在X, Y, Z3個方向各2小時 |  |  |      |    |                   |       |   |   |      |      |       |      |      |      |

| NO   | 專案           | 規格   | 測試方法  |      |          |         |          |          |              |    |          |
|------|--------------|--|---|------|----------|---------|----------|----------|--------------|----|----------|
| 11   | 引腳焊錫性        | 引腳上須有圓周75%以上面積被新焊錫覆蓋   | 使用助焊劑<br><table border="1"> <tr> <td>焊錫溫度</td> <td>235±5°C</td> </tr> <tr> <td>焊接時間</td> <td>2±0.5秒</td> </tr> </table>   | 焊錫溫度 | 235±5°C  | 焊接時間    | 2±0.5秒   |          |              |    |          |
| 焊錫溫度 | 235±5°C      |  |   |      |          |         |          |          |              |    |          |
| 焊接時間 | 2±0.5秒       |  |   |      |          |         |          |          |              |    |          |
| 12   | 焊錫耐熱性        | 外觀 無破缺, 開裂等異常<br>靜電容量變化率 B特性:±5%,X特性: ±7.5%<br>E特性:±15%<br>F特性:±20%<br>耐電壓(端子間) 參見項目7.   | <table border="1"> <tr> <td>焊錫溫度</td> <td>350±10°C</td> <td>270±5°C</td> </tr> <tr> <td>焊接時間</td> <td>3.5±0.5秒</td> <td>5±0.5秒</td> </tr> </table> 如圖(3)焊錫後在常溫常濕中放置24±2小時後再測試.<br> | 焊錫溫度 | 350±10°C | 270±5°C | 焊接時間     | 3.5±0.5秒 | 5±0.5秒       |    |          |
| 焊錫溫度 | 350±10°C     | 270±5°C  |   |      |          |         |          |          |              |    |          |
| 焊接時間 | 3.5±0.5秒     | 5±0.5秒   |   |      |          |         |          |          |              |    |          |
| 13   | 耐濕性          | 外觀 無破缺, 開裂等異常<br>損耗系數(D, F值) B,X,E特性:5.0% max<br>F特性:7.5% max<br>IR 1000MΩ Min<br>靜電容量變化率 B特性:±10%,X特性: ±12.5%<br>E特性:±20%<br>F特性:±30%   | <table border="1"> <tr> <td>溫度</td> <td>40±2°C</td> </tr> <tr> <td>濕度</td> <td>90~95%RH</td> </tr> <tr> <td>時間</td> <td>500+24,-0小時</td> </tr> </table> 在常溫常濕下放置1~2小時後再測試.  | 溫度   | 40±2°C   | 濕度      | 90~95%RH | 時間       | 500+24,-0小時  |    |          |
| 溫度   | 40±2°C       |  |   |      |          |         |          |          |              |    |          |
| 濕度   | 90~95%RH     |  |   |      |          |         |          |          |              |    |          |
| 時間   | 500+24,-0小時  |  |   |      |          |         |          |          |              |    |          |
| 14   | 耐濕負荷         | 外觀 無破缺, 開裂等異常<br>損耗系數(D, F值) B,X,E特性:5.0% max<br>F特性:7.5% max<br>IR 500MΩ Min<br>靜電容量變化率 B特性:±10%,X特性: ±12.5%<br>E特性:±20%<br>F特性:±30%    | <table border="1"> <tr> <td>溫度</td> <td>40±2°C</td> </tr> <tr> <td>濕度</td> <td>90~95%RH</td> </tr> <tr> <td>時間</td> <td>500+24,-0小時</td> </tr> <tr> <td>電壓</td> <td>額定電壓</td> </tr> </table> 在常溫常濕下放置24±2小時後再測試.  | 溫度   | 40±2°C   | 濕度      | 90~95%RH | 時間       | 500+24,-0小時  | 電壓 | 額定電壓     |
| 溫度   | 40±2°C       |  |   |      |          |         |          |          |              |    |          |
| 濕度   | 90~95%RH     |  |   |      |          |         |          |          |              |    |          |
| 時間   | 500+24,-0小時  |  |   |      |          |         |          |          |              |    |          |
| 電壓   | 額定電壓         |  |   |      |          |         |          |          |              |    |          |
| 15   | 耐久性實驗        | 外觀 無破缺, 開裂等異常<br>損耗系數(D, F值) B,X,E特性:4.5% max<br>F特性:7.5% max<br>IR 2000MΩ Min<br>靜電容量變化率 B特性:±10%<br>X特性:±12.5%<br>E特性:±20%<br>F特性:±30% | 充放電流限制在50mA以下.<br><table border="1"> <tr> <td>溫度</td> <td>125±2°C</td> </tr> <tr> <td>濕度</td> <td>90~95%RH</td> </tr> <tr> <td>時間</td> <td>1000+48,-0小時</td> </tr> <tr> <td>電壓</td> <td>1.5倍額定電壓</td> </tr> </table> 在常溫常濕下放置24±2小時後再測試.                              | 溫度   | 125±2°C  | 濕度      | 90~95%RH | 時間       | 1000+48,-0小時 | 電壓 | 1.5倍額定電壓 |
| 溫度   | 125±2°C      |  |   |      |          |         |          |          |              |    |          |
| 濕度   | 90~95%RH     |  |   |      |          |         |          |          |              |    |          |
| 時間   | 1000+48,-0小時 |  |   |      |          |         |          |          |              |    |          |
| 電壓   | 1.5倍額定電壓     |  |   |      |          |         |          |          |              |    |          |

| NO                  | 項目          | 規格                               | 測試方法       |        |                       |      |  |      |  |
|---------------------|-------------|----------------------------------|------------|--------|-----------------------|------|--|------|--|
| 16                  | 溫度和含浸循環     | 外觀                               | 外觀無可見損傷    |        | 電容器作5次溫度循環,再連續2次含浸循環. |      |  |      |  |
|                     |             | 靜電容量變化                           | B特性:±10%   |        |                       |      |  | 溫度循環 |  |
|                     |             |                                  | X特性:±12.5% |        |                       |      |  |      |  |
|                     |             |                                  | E特性:±20%   |        |                       |      |  |      |  |
|                     |             |                                  | F特性:±30%   |        |                       |      |  |      |  |
|                     | 損耗系數(D, F值) | B,X,E特性:4.0% max<br>F特性:7.5% max |            | 步驟     | 溫度(°C)                | 時間   |  |      |  |
|                     | IR          | 2000MΩ                           |            | 1      | -25±3                 | 30分鐘 |  |      |  |
|                     | 耐電壓(端子間)    | 參見項目7.                           |            | 2      | 常溫常濕                  | 3分鐘  |  |      |  |
|                     |             |                                  |            | 3      | +125±3                | 30分鐘 |  |      |  |
|                     |             |                                  |            | 4      | 常溫常濕                  | 3分鐘  |  |      |  |
| 含浸循環                |             |                                  |            |        |                       |      |  |      |  |
| 步驟                  |             |                                  |            | 溫度(°C) | 時間                    | 含浸水  |  |      |  |
| 1                   | +65+5/0     | 15分種                             | 純水         |        |                       |      |  |      |  |
| 2                   | 常溫常濕        | 15分種                             | 鹽水         |        |                       |      |  |      |  |
| 在常溫常濕下放置4~24小時後再測試. |             |                                  |            |        |                       |      |  |      |  |

注:1.常溫常濕:溫度15~35°C,濕度:45~75%RH,大氣壓:86~106千帕

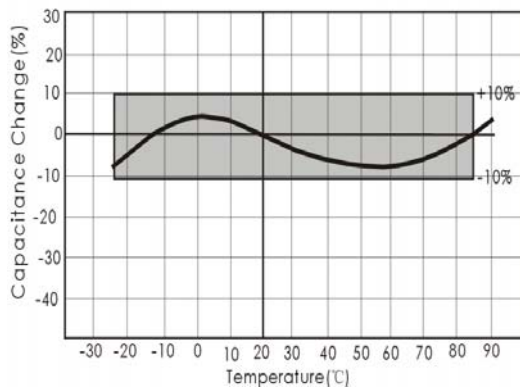


8. 特性曲線圖

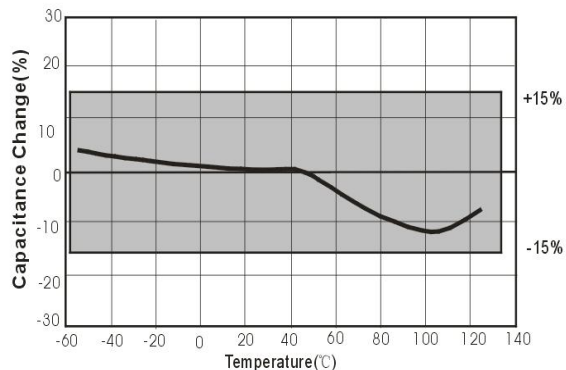
NO:WM-S08-003B04

8.1 容量溫度特性

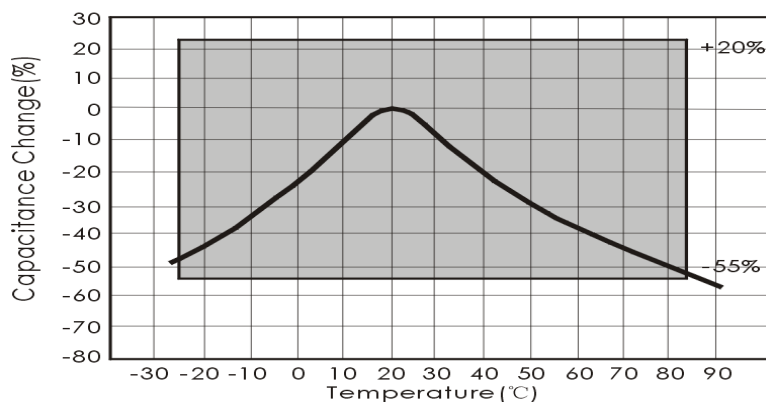
Char: B(Y5P)



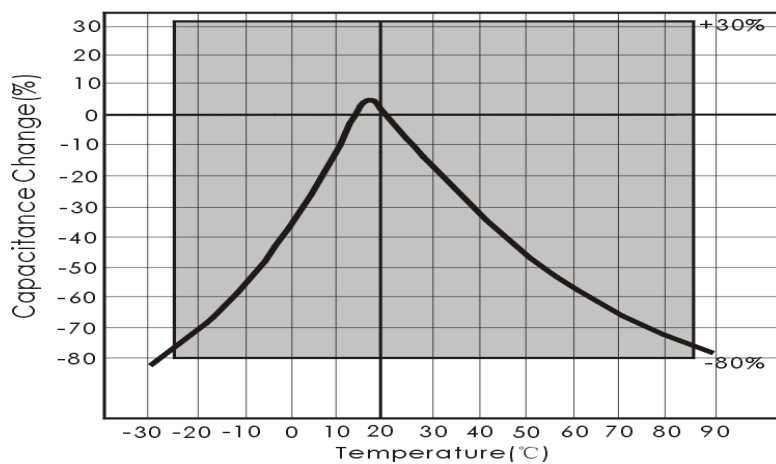
Char: X(X7R)



Char:E (Y5U)



Char:F (Y5V)

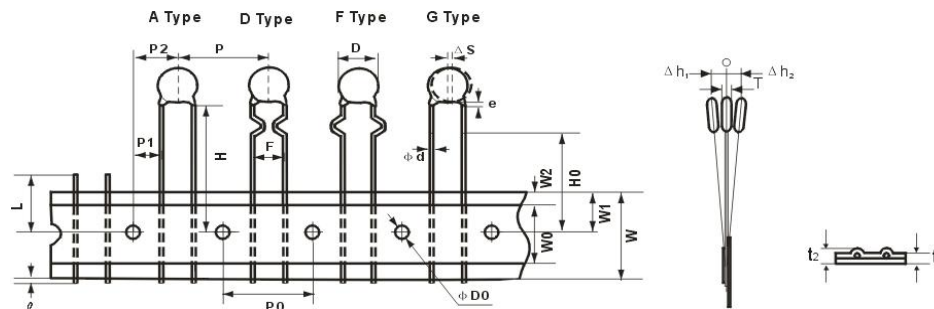


9 編帶尺寸圖及包裝

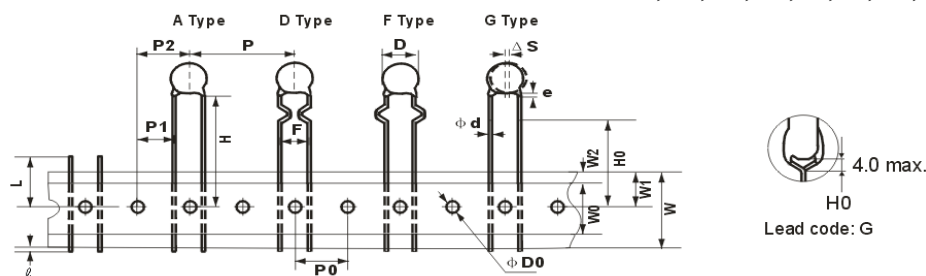
NO:WM-S08-003B04

9.1 編帶尺寸圖：12.7孔距

- 腳距 5.0/7.5 mm/瓷片片徑 < 10mm (腳型代碼: A2,A3,D2,D3,F2,F3,G2,G3)



- 腳距為 7.5/10.0mm/瓷片片徑 ≥ 10mm (腳型代碼:A3,A4,D3,D4,F3,F4,G3,G4)

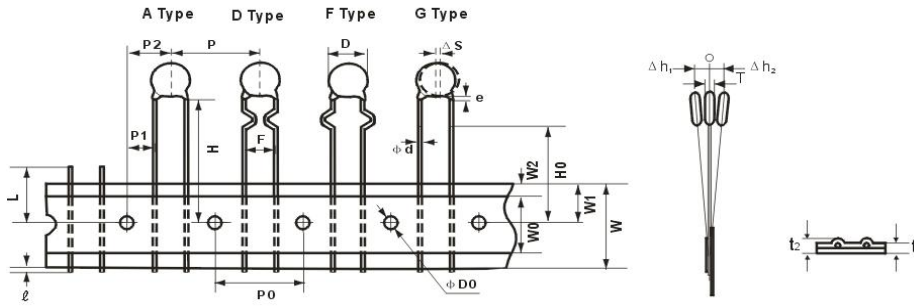


| 項目           | 記號              | A2/D2/F2/G2           | A3/D3/F3/G3 | A3/D3/F3/G3 | A4/D4/F4/G4 |
|--------------|-----------------|-----------------------|-------------|-------------|-------------|
| 製品間距         | P               | 12.7                  | 12.7        | 25.4        | 25.4        |
| 驅動孔間距        | P <sub>0</sub>  | 12.7±0.3              | 12.7±0.3    | 12.7±0.3    | 12.7±0.3    |
| 導線間距         | F               | 5.0±1.0               | 7.5±1.0     | 7.5±1.0     | 10.0±1.0    |
| 驅動穴位置偏移      | P <sub>1</sub>  | 3.85±0.7              | 2.6±0.7     | 8.95±1.0    | 7.7±1.0     |
|              | P <sub>2</sub>  | 6.35±1.3              | 6.35±1.3    | 12.7±1.3    | 12.7±1.3    |
| 製品直徑         | D               | 參見N0.6                |             |             |             |
| 製品偏移         | △S              | 0±2.0                 |             |             |             |
| 紙帶寬度         | W               | 18.0±0.5              |             |             |             |
| 孔洞位置         | W <sub>1</sub>  | 9.0±0.5               |             |             |             |
| 製品低部到驅動穴中心   | H               | 20.0±1.5 (直腳品)        |             |             |             |
| 折彎處到驅動穴中心    | H <sub>0</sub>  | 18.0-1.0/+1.5 (彎腳品)   |             |             |             |
| 驅動穴直徑        | ΦD <sub>0</sub> | 4.0±0.2               |             |             |             |
| 導線直徑         | Φd              | 0.5±0.05/0.55±0.05    |             |             |             |
| 紙帶, 膠帶厚度     | t <sub>1</sub>  | 0.6±0.3               |             |             |             |
| 紙帶, 膠帶, 導線厚度 | t <sub>2</sub>  | 2.0 max               |             |             |             |
| 製品厚度         | T               | 參見NO.6                |             |             |             |
| 產品移除后引線長度    | L               | 11.0 max              |             |             |             |
| 膠帶寬度         | W <sub>0</sub>  | 10.0±2                |             |             |             |
| 粘膠帶位置誤差      | W <sub>2</sub>  | 1.5±1.5               |             |             |             |
| 塗裝腳長         | e               | 4.0 max (彎腳品: 不超過彎腳處) |             |             |             |
| 製品傾斜         | △h <sub>1</sub> | 2.0 max               |             |             |             |
|              | △h <sub>2</sub> |                       |             |             |             |
| 引腳超出紙帶長度     | ℓ               | +0.5~-1.0             |             |             |             |

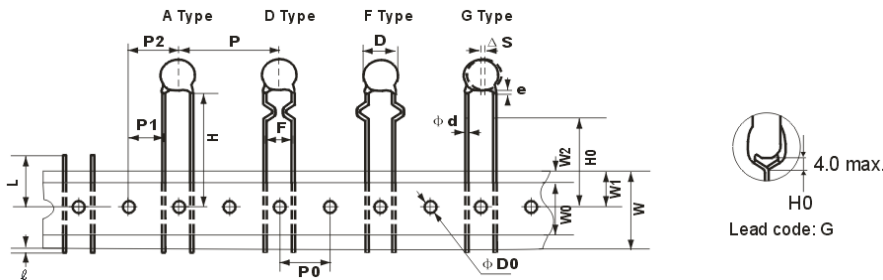
9.2 編帶尺寸圖：15.0 孔距

NO:WM-S08-003B04

- 腳距 5.0/7.5 mm/瓷片片徑 < 13mm (腳型代碼: A2,A3,D2,D3,F2,F3,G2,G3)

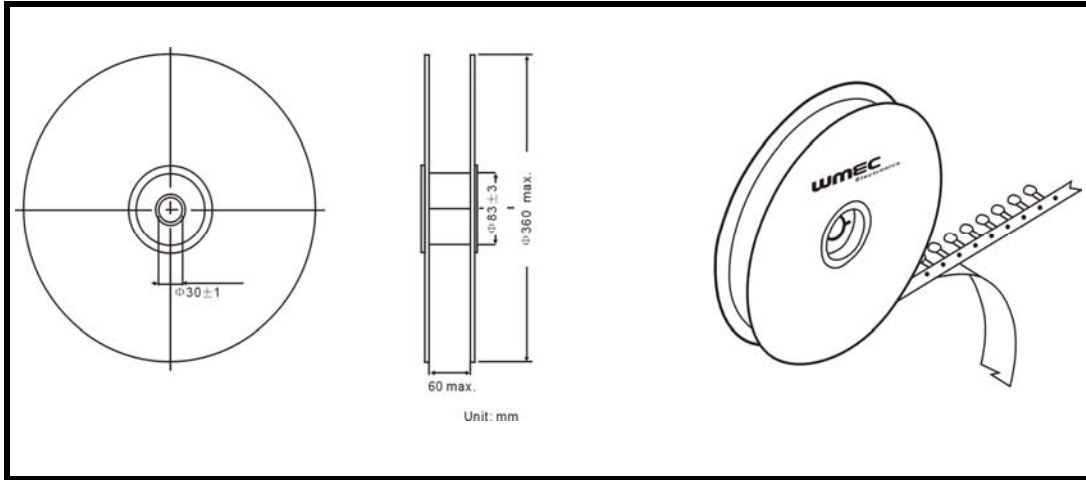


- 腳距為 7.5/10.0mm/瓷片片徑 ≥ 13mm (腳型代碼:A3,A4,D3,D4,F3,F4,G3,G4)

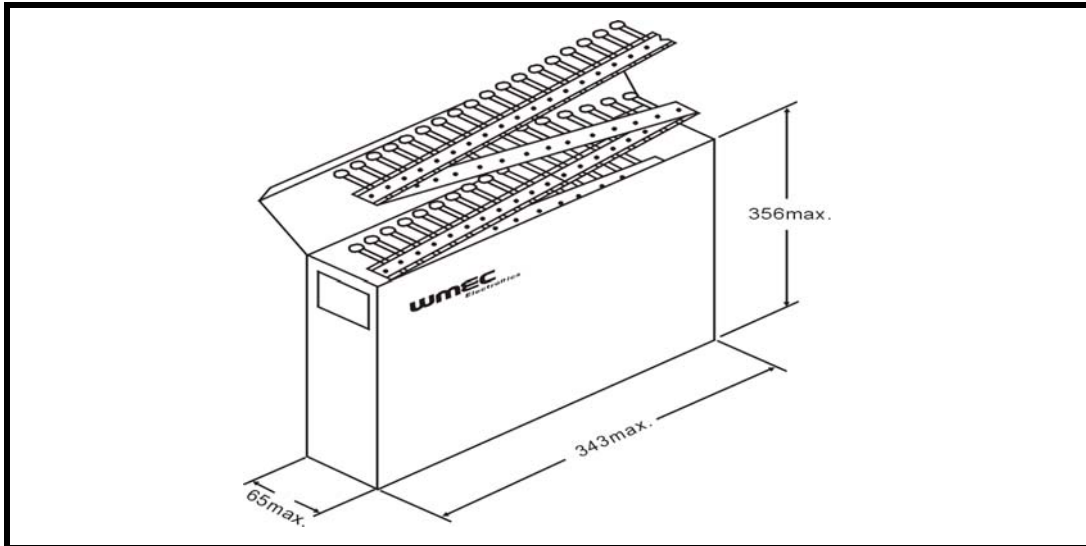


| 項目           | 記號              | A2/D2/F2/G2           | A3/D3/F3/G3 | A3/D3/F3/G3 | A4/D4/F4/G4 |
|--------------|-----------------|-----------------------|-------------|-------------|-------------|
| 製品間距         | P               | 15                    | 15          | 30          | 30          |
| 驅動孔間距        | P <sub>0</sub>  | 15±0.3                | 15±0.3      | 15±0.3      | 15±0.3      |
| 導線間距         | F               | 5.0±1.0               | 7.5±1.0     | 7.5±1.0     | 10.0±1.0    |
| 驅動穴位置偏移      | P <sub>1</sub>  | 5.0±0.7               | 3.75±0.7    | 11.25±1.0   | 10.0±1.0    |
|              | P <sub>2</sub>  | 7.5±1.3               | 7.5±1.3     | 15.0±1.3    | 15.0±1.3    |
| 製品直徑         | D               | 參見NO.6                |             |             |             |
| 製品偏移         | △S              | 0±2.0                 |             |             |             |
| 紙帶寬度         | W               | 18.0±0.5              |             |             |             |
| 孔洞位置         | W <sub>1</sub>  | 9.0±0.5               |             |             |             |
| 製品低部到驅動穴中心   | H               | 20.0±1.5 (直腳品)        |             |             |             |
| 折彎處到驅動穴中心    | H <sub>0</sub>  | 18.0-1.0/+1.5 (彎腳品)   |             |             |             |
| 驅動穴直徑        | φD <sub>0</sub> | 4.0±0.2               |             |             |             |
| 導線直徑         | φd              | 0.5±0.05/0.55±0.05    |             |             |             |
| 紙帶, 膠帶厚度     | t <sub>1</sub>  | 0.6±0.3               |             |             |             |
| 紙帶, 膠帶, 導線厚度 | t <sub>2</sub>  | 2.0 max               |             |             |             |
| 製品厚度         | T               | 參見NO.6                |             |             |             |
| 產品移除后引線長度    | L               | 11.0 max              |             |             |             |
| 膠帶寬度         | W <sub>0</sub>  | 10.0±2                |             |             |             |
| 粘膠帶位置誤差      | W <sub>2</sub>  | 1.5±1.5               |             |             |             |
| 塗裝腳長         | e               | 4.0 max (彎腳品: 不超過彎腳處) |             |             |             |
| 製品傾斜         | △h <sub>1</sub> | 2.0 max               |             |             |             |
|              | △h <sub>2</sub> |                       |             |             |             |
| 引腳超出紙帶長度     | ℓ               | +0.5~-1.0             |             |             |             |

9.3 卷軸編帶包裝



9.4 折疊編帶包裝



9.5 包裝數量

Pitch:12.7mm編帶品 : 2000pcs/盒

Pitch:15.0mm編帶品 : 1500pcs/盒

10. 包裝及數量: 散裝品

NO:WM-S08-003B04

10.1 製品直徑4.5~9.0mm :1000pcs/袋

10.2 製品直徑10mm以上 :500pcs/袋

11. 標籤範例

例:



12. 修定事項說明

- 1.如有相關材料,製品及製造工廠變更,我們將及時通知您.
- 2.請在標準使用條件下使用.如有超出使用條件造成損壞,我司不承擔責任.
- 3.如有不詳及建議之處,請及時與我們聯絡,我們將提供解答說明.

## X-ON Electronics

Largest Supplier of Electrical and Electronic Components

*Click to view similar products for [Ceramic Disc Capacitors](#) category:*

*Click to view products by [WMEC](#) manufacturer:*

Other Similar products are found below :

[5AU100JCECA](#) [5AU220JCGCA](#) [5AU560JCJCA](#) [DEF2CLH020CA3B](#) [DEF2CLH030CJ3B](#) [101GHR102K](#) [NCD102K1KVY5FF](#)  
[NCD103M1KVZ5UF](#) [NCD331K1KVY5FF](#) [440LT68AP-R](#) [CK60AX471M](#) [AOL-1502-02](#) [NCD103M1KVZ5UJTBF](#) [DEF2CLH040CN3A](#)  
[DEF2CLH080DA3B](#) [0811-040-X7R0-102K](#) [8903D0](#) [90410-10](#) [CK61BX471K](#) [YV101103Z060HAND5P](#) [SL102101J060BAND5P](#)  
[YP202102K080D04A7H](#) [ZU501103M090B20C6P](#) [ZU102103M100X05B0P](#) [YP102271K050B20C6P](#) [YP102391K050BAND5P](#)  
[YP501101K040BAND5P](#) [ZU102103M100BAND5H](#) [YP102681K060B20C6P](#) [YP501121K040B20C6P](#) [SL102181J070HAND5P](#)  
[YP501471K040B20C6P](#) [SL102151J070HAND5P](#) [YP501102K050HAND5P](#) [ZU501102M050B20C6P](#) [YP501472K100B20C6P](#)  
[ZU102103M100B20C0P](#) [YV500223Z080HAND5P](#) [F121K25S3NN63J5R](#) [F121K25S3NP63K7R](#) [F121K25S3NR63K7R](#)  
[F122K47S3NP63K7R](#) [F681K43S3NR63K7R](#) [S470J25SL0N6TJ5R](#) [HVCC103Y6P152MEAX](#) [S103Z43Y5VN6TJ5R](#)  
[DCH102K34Y5PP6FJ5A0](#) [CC1H220KA1EDCH4B1100](#) [CC3A222MC1GEF45H31MF](#) [CC3D103MC1IEF49D61MF](#)