

目錄

1. 適用範圍 ----- 1頁

2. 適用標準 ----- 1頁

3. 使用溫度範圍 ----- 1頁

4. 品名構成說明 ----- 1頁

5. 標誌說明 ----- 6頁

6. 特性參數 ----- 7頁

7. 規格及測試方法 ----- 13頁

8. 特性曲線圖 ----- 16頁

9. 包裝及數量(編帶品) ----- 17頁

10. 包裝及數量(散裝品) ----- 20頁

11. 標籤範例 ----- 20頁

12. 修定事項說明 ----- 20頁

| 制定部門 | 制定日期 | 文件編號 |
|------|-----------|---------------|
| 技術部 | 2012.7.17 | WM-S08-003B04 |

HGK TYPE - 高介電常數品(CLASS 2系列)

NO:WM-S08-003B04

1. 適用範圍

本規格書適用於電子設備使用的具高介電常數(2類介質)高壓固定瓷介電容.

2. 適用標準

IEC384-9:1998

GB/T5698-1996

GB9322-88

3. 使用溫度範圍

-25~+125℃

4. 品名構成說明

例: HGK 3A B 102 K B 2 B 5 D W
 ① ② ③ ④ ⑤ ⑥ ⑦ ⑧ ⑨ ⑩ ⑪

- ① 電容器種類別:2類高介電常數品
- ② 額定電壓
- ③ 溫度特性
- ④ 公稱靜電容量
- ⑤ 靜電容量公差
- ⑥ 引腳形狀
- ⑦ 引腳間距
- ⑧ 包裝方式
- ⑨ 引腳長度
- ⑩ 包封材料
- ⑪ 特記代碼

4.1 電容器種類

| 類別 | 表示說明 |
|-----|----------|
| HGK | 2類高介電常數品 |

4.2 額定電壓

| 代碼 | 額定電壓 |
|----|-------|
| 3A | DC1KV |
| 3D | DC2KV |
| 3F | DC3KV |
| 3G | DC4KV |
| 3H | DC5KV |
| 3J | DC6KV |

NO:WM-S08-003B04

4.3 溫度特性

| 代碼 | 溫度特性 | 容量變化率 | 溫度範圍 |
|----|------|-----------|----------|
| B | Y5P | ±10% | -25~85°C |
| X | X7R | ±15% | |
| E | Y5U | +20%~-55% | |
| F | Y5V | +30%~-80% | |

4.4 公稱靜電容量

公稱靜電容量採用三位元數表示法. 前面2位數位為有效數值, 第三位數位表示0的個數.

例:

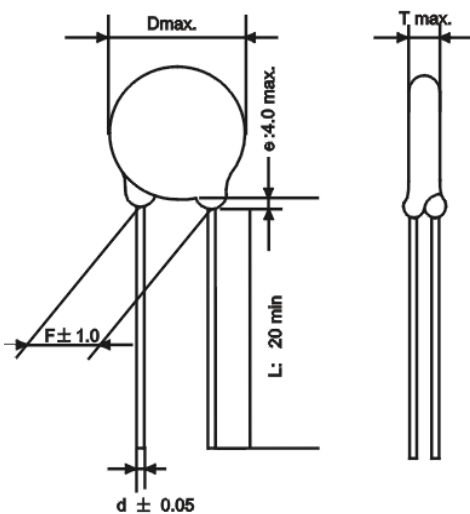
| 代碼 | 靜電容量 (p F) |
|-----|--------------|
| 101 | 100 |
| 102 | 1000 |
| 222 | 2200 |
| 103 | 10000 |

4.5 靜電容量公差

| 代碼 | 許容差 |
|----|-----------|
| K | ±10% |
| M | ±20% |
| Z | -20%~+80% |

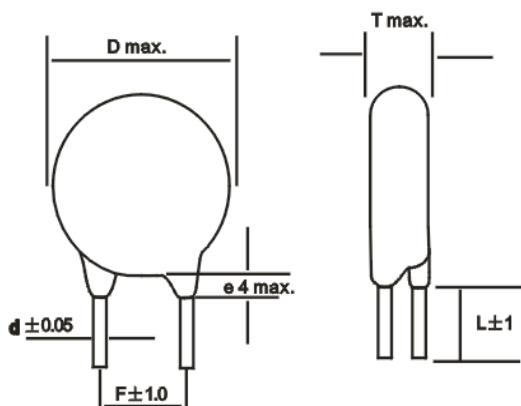
4.6 引腳形狀

4.6.1 直腳長導線型(引腳代碼:A)



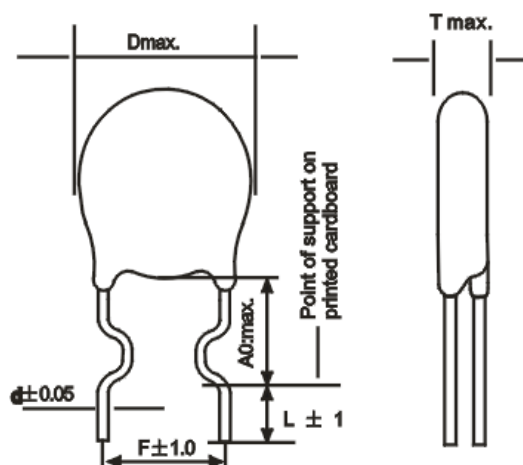
| 代碼 | A1 | A2 | A3 | A4 |
|--------|----------|----|-----|----|
| F (mm) | 2.5 | 5 | 7.5 | 10 |
| L (mm) | 20 min | | | |
| d (mm) | 0.5或0.55 | | | |
| e (mm) | 4.0 max | | | |

4.6.2直腳短導線型(引腳代碼:B)



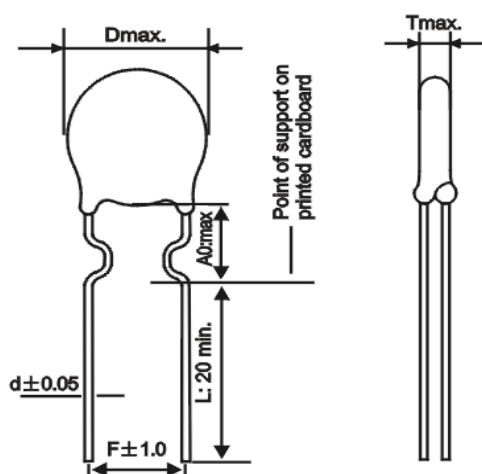
| | | | | |
|--------|----------|----|-----|----|
| 代碼 | B1 | B2 | B3 | B4 |
| F (mm) | 2.5 | 5 | 7.5 | 10 |
| L (mm) | 5或依顧客要求 | | | |
| d (mm) | 0.5或0.55 | | | |
| e (mm) | 4.0 max | | | |

4.6.3內彎短導線型(引腳代碼:C)



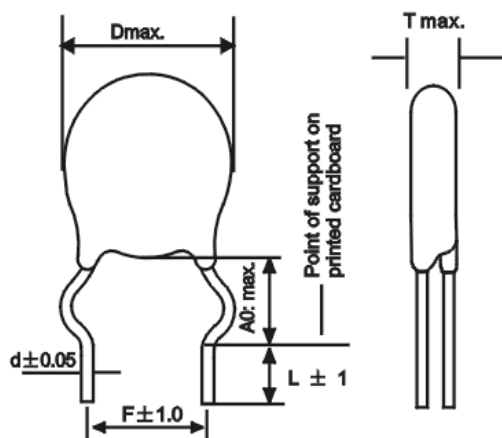
| | | | |
|---------|----------|-----|-----|
| 代碼 | C2 | C3 | C4 |
| F (mm) | 5 | 7.5 | 10 |
| A0 (mm) | 5 | 5 | 6.5 |
| L (mm) | 5或依顧客要求 | | |
| d (mm) | 0.5或0.55 | | |

4.6.4內彎長導線型(引腳代碼:D)



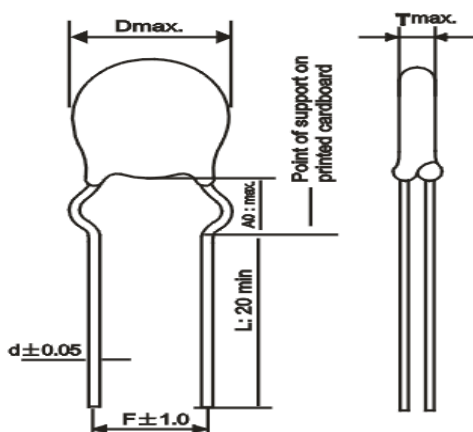
| | | | |
|---------|----------|-----|-----|
| 代碼 | D2 | D3 | D4 |
| F (mm) | 5 | 7.5 | 10 |
| A0 (mm) | 5 | 5 | 6.5 |
| L (mm) | 20 min | | |
| d (mm) | 0.5或0.55 | | |

4.6.5外彎短導線型(引腳代碼:E)



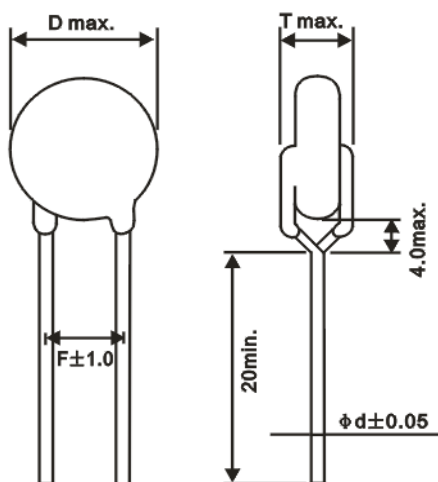
| | | | |
|---------|----------|-----|-----|
| 代碼 | E2 | E3 | E4 |
| F (mm) | 5 | 7.5 | 10 |
| A0 (mm) | 5 | 5 | 6.5 |
| L (mm) | 5或依顧客要求 | | |
| d (mm) | 0.5或0.55 | | |

4.6.6外彎長導線型(引腳代碼:F)



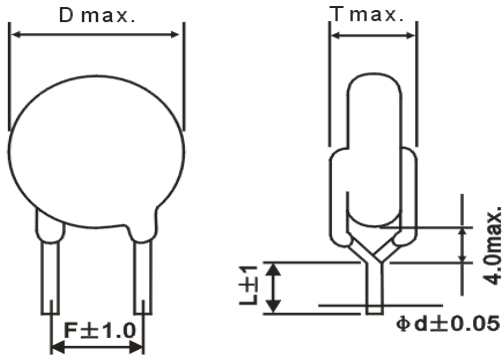
| | | | |
|---------|----------|-----|-----|
| 代碼 | F2 | F3 | F4 |
| F (mm) | 5 | 7.5 | 10 |
| A0 (mm) | 5 | 5 | 6.5 |
| L (mm) | 20 min | | |
| d (mm) | 0.5或0.55 | | |

4.6.7側彎長導線型(引腳代碼:G)



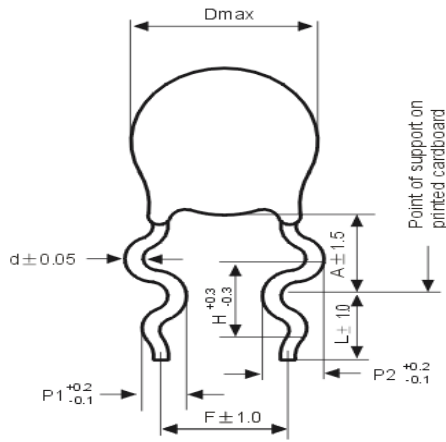
| | | | |
|--------|----------|-----|----|
| 代碼 | G2 | G3 | G4 |
| F (mm) | 5 | 7.5 | 10 |
| L (mm) | 20 min | | |
| d (mm) | 0.5或0.55 | | |

4.6.8側彎短導線型(引腳代碼:H)



| | | | |
|--------|----------|-----|----|
| 代碼 | H2 | H3 | H4 |
| F (mm) | 5 | 7.5 | 10 |
| L (mm) | 5或依顧客要求 | | |
| d (mm) | 0.5或0.55 | | |

4.6.9雙彎短導線型(引腳代碼:M)



| | | | |
|---------|---------------------------------|------|------|
| 代碼 | M2 | M3 | M4 |
| F (mm) | 5 | 7.5 | 10 |
| H (mm) | 2.6 | 2.6 | 3.3 |
| P1 (mm) | 1.25 | 1.25 | 1.65 |
| P2 (mm) | 1.65 | 1.65 | 1.95 |
| A0 (mm) | D < 8: 6 ± 1.5 / D > 8: 7 ± 1.5 | | |
| L (mm) | 5或依顧客要求 | | |
| d (mm) | 0.5或0.55 | | |

4.7 引腳間距:

| 代碼 | 引腳間距 (mm) |
|----|------------|
| 1 | 2.5 ± 1.0 |
| 2 | 5.0 ± 1.0 |
| 3 | 7.5 ± 1.0 |
| 4 | 10.0 ± 1.0 |

4.11 特記代碼:

| 代碼 | 說明 |
|----|-----------|
| W | 符合RoHS |
| L | 无卤/符合RoHS |
| — | 含鉛 |

4.8 包裝方式:

| 代碼 | 包裝方式 | P (mm) |
|----|------|--------|
| B | 單品散裝 | --- |
| A | 折疊編帶 | 12.7 |
| C | 折疊編帶 | 25.4 |
| R | 卷軸編帶 | 12.7 |





4.9 引腳長度:

| 代碼 | 引腳長度 (mm) |
|-----|-----------|
| 5 | 5 ± 1 |
| --- | 20 min |

4.10 包封材料:

| 代碼 | 說明 |
|----|--------|
| D | 黃色酚醛包封 |
| — | 藍色環氧包封 |

5. 標誌

| 溫度特性 | 標誌 | 圖例 |
|-------------------|--------------------------------------------------------|---------------------------------------------------------------------------------------|
| 5.1溫度特性 B(Y5P) | 1.商標 2.溫度特性 3.公稱容量 4.許容差 5.額定電壓 6.內部追溯碼 |  |
| 5.2溫度特性 X(X7R) | 1.商標 2.溫度特性 3.公稱容量 4.許容差 5.額定電壓 6.內部追溯碼 |  |
| 5.3溫度特性 E(Y5U) | 1.商標 2.溫度特性 3.公稱容量 4.許容差 5.額定電壓 6.內部追溯碼 |  |
| 5.4溫度特性 F(Y5V) | 1.商標 2.溫度特性 3.公稱容量 4.許容差 5.額定電壓 6.內部追溯碼 |  |

6.特性參數

NO:WM-S08-003B04

6.1額定電壓:1KV DC

| 品名 | 額定電壓 | 溫度特性 | 靜電容量(pF) | 許容差 | 尺寸(mm) | | | |
|---------------|--------|-------|----------|-----|--------|-------|--------|---------|
| | | | | | D(max) | F±1.0 | T(max) | d*±0.05 |
| HGK3AB101○□□□ | 1KV DC | B/Y5P | 100 | K,M | 7.0 | 5.0 | 4.0 | 0.5 |
| HGK3AB121○□□□ | | | 120 | | 7.0 | 5.0 | 4.0 | 0.5 |
| HGK3AB151○□□□ | | | 150 | | 7.0 | 5.0 | 4.0 | 0.5 |
| HGK3AB181○□□□ | | | 180 | | 7.0 | 5.0 | 4.0 | 0.5 |
| HGK3AB221○□□□ | | | 220 | | 7.0 | 5.0 | 4.0 | 0.5 |
| HGK3AB271○□□□ | | | 270 | | 7.0 | 5.0 | 4.0 | 0.5 |
| HGK3AB331○□□□ | | | 330 | | 7.0 | 5.0 | 4.0 | 0.5 |
| HGK3AB391○□□□ | | | 390 | | 7.0 | 5.0 | 4.0 | 0.5 |
| HGK3AB471○□□□ | | | 470 | | 7.0 | 5.0 | 4.0 | 0.5 |
| HGK3AB561○□□□ | | | 560 | | 7.0 | 5.0 | 4.0 | 0.5 |
| HGK3AB681○□□□ | | | 680 | | 7.0 | 5.0 | 4.0 | 0.5 |
| HGK3AB821○□□□ | | | 820 | | 7.0 | 5.0 | 4.0 | 0.5 |
| HGK3AB102○□□□ | | | 1000 | | 7.0 | 5.0 | 4.0 | 0.5 |
| HGK3AB122○□□□ | | | 1200 | | 7.0 | 5.0 | 4.0 | 0.5 |
| HGK3AB152○□□□ | | | 1500 | | 8.0 | 5.0 | 4.0 | 0.5 |
| HGK3AB182○□□□ | | | 1800 | | 9.0 | 5.0 | 4.0 | 0.5 |
| HGK3AB222○□□□ | | | 2200 | | 9.0 | 5.0 | 4.0 | 0.5 |
| HGK3AB272○□□□ | | | 2700 | | 10.0 | 5.0 | 4.0 | 0.5 |
| HGK3AB332○□□□ | | | 3300 | | 11.0 | 5.0 | 4.0 | 0.5 |
| HGK3AB392○□□□ | | | 3900 | | 12.0 | 7.5 | 4.0 | 0.5 |
| HGK3AB472○□□□ | 4700 | 13.0 | 7.5 | 4.0 | 0.5 | | | |
| HGK3AB562○□□□ | 5600 | 14.0 | 7.5 | 4.0 | 0.55 | | | |
| HGK3AB682○□□□ | 6800 | 15.0 | 7.5 | 4.0 | 0.55 | | | |
| HGK3AB822○□□□ | 8200 | 17.0 | 7.5 | 4.0 | 0.55 | | | |
| HGK3AB103○□□□ | 10000 | 18.0 | 10.0 | 4.0 | 0.55 | | | |
| HGK3AE102○□□□ | 1KV DC | E/Y5U | 1000 | M,Z | 7.0 | 5.0 | 4.0 | 0.5 |
| HGK3AE122○□□□ | | | 1200 | | 7.0 | 5.0 | 4.0 | 0.5 |
| HGK3AE152○□□□ | | | 1500 | | 7.0 | 5.0 | 4.0 | 0.5 |
| HGK3AE182○□□□ | | | 1800 | | 7.0 | 5.0 | 4.0 | 0.5 |
| HGK3AE222○□□□ | | | 2200 | | 7.0 | 5.0 | 4.0 | 0.5 |
| HGK3AE272○□□□ | | | 2700 | | 8.0 | 5.0 | 4.0 | 0.5 |
| HGK3AE332○□□□ | | | 3300 | | 8.0 | 5.0 | 4.0 | 0.5 |
| HGK3AE392○□□□ | | | 3900 | | 9.0 | 5.0 | 4.0 | 0.5 |
| HGK3AE472○□□□ | | | 4700 | | 10.0 | 5.0 | 4.0 | 0.5 |
| HGK3AE562○□□□ | | | 5600 | | 10.0 | 5.0 | 4.0 | 0.55 |
| HGK3AE682○□□□ | | | 6800 | | 11.0 | 7.5 | 4.0 | 0.55 |
| HGK3AE103○□□□ | | | 10000 | | 12.0 | 7.5 | 4.0 | 0.55 |
| HGK3AE203○□□□ | 20000 | 14.0 | 7.5 | 4.0 | 0.55 | | | |
| HGK3AE223○□□□ | 22000 | 18.0 | 7.5 | 4.0 | 0.55 | | | |
| HGK3AF102○□□□ | 1KV DC | F/Y5V | 1000 | M,Z | 6.5 | 5.0 | 4.0 | 0.5 |
| HGK3AF122○□□□ | | | 1200 | | 6.5 | 5.0 | 4.0 | 0.5 |
| HGK3AF152○□□□ | | | 1500 | | 6.5 | 5.0 | 4.0 | 0.5 |
| HGK3AF182○□□□ | | | 1800 | | 6.5 | 5.0 | 4.0 | 0.5 |
| HGK3AF222○□□□ | | | 2200 | | 6.5 | 5.0 | 4.0 | 0.5 |
| HGK3AF272○□□□ | | | 2700 | | 6.5 | 5.0 | 4.0 | 0.5 |
| HGK3AF332○□□□ | | | 3300 | | 7.0 | 5.0 | 4.0 | 0.5 |
| HGK3AF392○□□□ | | | 3900 | | 8.0 | 5.0 | 4.0 | 0.5 |
| HGK3AF472○□□□ | | | 4700 | | 8.0 | 5.0 | 4.0 | 0.5 |
| HGK3AF562○□□□ | | | 5600 | | 8.0 | 5.0 | 4.0 | 0.5 |
| HGK3AF682○□□□ | | | 6800 | | 9.5 | 5.0 | 4.0 | 0.5 |
| HGK3AF103○□□□ | | | 10000 | | 10.0 | 7.5 | 4.0 | 0.5 |
| HGK3AF203○□□□ | | | 20000 | | 14.0 | 7.5 | 4.0 | 0.55 |
| HGK3AF223○□□□ | | | 22000 | | 14.0 | 7.5 | 4.0 | 0.55 |
| HGK3AF303○□□□ | 30000 | 17.0 | 10.0 | 4.0 | 0.55 | | | |
| HGK3AF333○□□□ | 33000 | 17.0 | 10.0 | 4.0 | 0.55 | | | |

注: □包裝方式代碼:B(散裝單品),A(折疊編帶),R(卷軸編帶)
 □引腳間距代碼
 □引腳形狀代碼
 ○許容差:K(±10%),M(±20%),Z(-20%~+80%)

6.2額定電壓:2KV DC

| 品名 | 額定電壓 | 溫度特性 | 靜電容量(pF) | 許容差 | 尺寸(mm) | | | |
|---------------|--------|-------|----------|-----|--------|-------|--------|---------|
| | | | | | D(max) | F±1.0 | T(max) | d*±0.05 |
| HGK3DB101○□□□ | 2KV DC | B/Y5P | 100 | K,M | 7.0 | 5.0 | 5.0 | 0.55 |
| HGK3DB121○□□□ | | | 120 | | 7.0 | 5.0 | 5.0 | 0.55 |
| HGK3DB151○□□□ | | | 150 | | 7.0 | 5.0 | 5.0 | 0.55 |
| HGK3DB181○□□□ | | | 180 | | 7.0 | 5.0 | 5.0 | 0.55 |
| HGK3DB221○□□□ | | | 220 | | 7.0 | 5.0 | 5.0 | 0.55 |
| HGK3DB271○□□□ | | | 270 | | 7.0 | 5.0 | 5.0 | 0.55 |
| HGK3DB331○□□□ | | | 330 | | 7.0 | 5.0 | 5.0 | 0.55 |
| HGK3DB391○□□□ | | | 390 | | 7.0 | 5.0 | 5.0 | 0.55 |
| HGK3DB471○□□□ | | | 470 | | 7.0 | 5.0 | 5.0 | 0.55 |
| HGK3DB561○□□□ | | | 560 | | 8.0 | 5.0 | 5.0 | 0.55 |
| HGK3DB681○□□□ | | | 680 | | 8.0 | 5.0 | 5.0 | 0.55 |
| HGK3DB821○□□□ | | | 820 | | 8.0 | 5.0 | 5.0 | 0.55 |
| HGK3DB102○□□□ | | | 1000 | | 9.0 | 5.0 | 5.0 | 0.55 |
| HGK3DB122○□□□ | | | 1200 | | 9.0 | 5.0 | 5.0 | 0.55 |
| HGK3DB152○□□□ | | | 1500 | | 10.0 | 7.5 | 5.0 | 0.55 |
| HGK3DB182○□□□ | | | 1800 | | 11.0 | 7.5 | 5.0 | 0.55 |
| HGK3DB222○□□□ | | | 2200 | | 11.0 | 7.5 | 5.0 | 0.55 |
| HGK3DB272○□□□ | | | 2700 | | 13.0 | 10.0 | 5.0 | 0.55 |
| HGK3DB332○□□□ | 3300 | 14.5 | 10.0 | 5.0 | 0.55 | | | |
| HGK3DB392○□□□ | 3900 | 15.0 | 10.0 | 5.0 | 0.55 | | | |
| HGK3DB472○□□□ | 4700 | 17.0 | 10.0 | 5.0 | 0.55 | | | |
| HGK3DE102○□□□ | 2KV DC | E/Y5U | 1000 | M,Z | 7.0 | 5.0 | 5.0 | 0.55 |
| HGK3DE122○□□□ | | | 1200 | | 7.0 | 5.0 | 5.0 | 0.55 |
| HGK3DE152○□□□ | | | 1500 | | 8.0 | 5.0 | 5.0 | 0.55 |
| HGK3DE182○□□□ | | | 1800 | | 8.0 | 5.0 | 5.0 | 0.55 |
| HGK3DE222○□□□ | | | 2200 | | 8.0 | 7.5 | 5.0 | 0.55 |
| HGK3DE272○□□□ | | | 2700 | | 10.0 | 7.5 | 5.0 | 0.55 |
| HGK3DE332○□□□ | | | 3300 | | 10.0 | 7.5 | 5.0 | 0.55 |
| HGK3DE392○□□□ | | | 3900 | | 11.0 | 7.5 | 5.0 | 0.55 |
| HGK3DE472○□□□ | | | 4700 | | 11.0 | 7.5 | 5.0 | 0.55 |
| HGK3DE562○□□□ | | | 5600 | | 14.0 | 10.0 | 5.0 | 0.55 |
| HGK3DE682○□□□ | | | 6800 | | 15.0 | 10.0 | 5.0 | 0.55 |
| HGK3DE103○□□□ | | | 10000 | | 18.0 | 10.0 | 5.0 | 0.55 |
| HGK3DF102○□□□ | 2KV DC | F/Y5V | 1000 | M,Z | 7.0 | 5.0 | 5.0 | 0.55 |
| HGK3DF152○□□□ | | | 1500 | | 7.0 | 5.0 | 5.0 | 0.55 |
| HGK3DF182○□□□ | | | 1800 | | 7.0 | 5.0 | 5.0 | 0.55 |
| HGK3DF222○□□□ | | | 2200 | | 7.0 | 5.0 | 5.0 | 0.55 |
| HGK3DF332○□□□ | | | 3300 | | 8.0 | 7.5 | 5.0 | 0.55 |
| HGK3DF392○□□□ | | | 3900 | | 9.0 | 7.5 | 5.0 | 0.55 |
| HGK3DF472○□□□ | | | 4700 | | 10.0 | 7.5 | 5.0 | 0.55 |
| HGK3DF682○□□□ | | | 6800 | | 11.0 | 7.5 | 5.0 | 0.55 |
| HGK3DF103○□□□ | | | 10000 | | 13.0 | 10.0 | 5.0 | 0.55 |
| HGK3DF203○□□□ | | | 20000 | | 18.0 | 10.0 | 5.0 | 0.55 |
| HGK3DF223○□□□ | 22000 | 18.0 | 10.0 | 5.0 | 0.55 | | | |

注: □包裝方式代碼:B(散裝單品),A(折疊編帶),R(卷軸編帶)
 □引腳間距代碼
 □引腳形狀代碼
 ○許容差:K(±10%),M(±20%),Z(-20%~+80%)

6.2額定電壓:3KV DC

| 品名 | 額定電壓 | 溫度特性 | 靜電容量(pF) | 許容差 | 尺寸(mm) | | | |
|---------------|--------|-------|----------|-----|--------|-------|--------|---------|
| | | | | | D(max) | F±1.0 | T(max) | d*±0.05 |
| HGK3FB101○□□□ | 3KV DC | B/Y5P | 100 | K,M | 8.0 | 7.5 | 6.0 | 0.55 |
| HGK3FB121○□□□ | | | 120 | | 8.0 | 7.5 | 6.0 | 0.55 |
| HGK3FB151○□□□ | | | 150 | | 8.0 | 7.5 | 6.0 | 0.55 |
| HGK3FB181○□□□ | | | 180 | | 8.0 | 7.5 | 6.0 | 0.55 |
| HGK3FB221○□□□ | | | 220 | | 8.0 | 7.5 | 6.0 | 0.55 |
| HGK3FB271○□□□ | | | 270 | | 8.0 | 7.5 | 6.0 | 0.55 |
| HGK3FB331○□□□ | | | 330 | | 8.0 | 7.5 | 6.0 | 0.55 |
| HGK3FB391○□□□ | | | 390 | | 8.0 | 7.5 | 6.0 | 0.55 |
| HGK3FB471○□□□ | | | 470 | | 8.0 | 7.5 | 6.0 | 0.55 |
| HGK3FB561○□□□ | | | 560 | | 8.0 | 7.5 | 6.0 | 0.55 |
| HGK3FB681○□□□ | | | 680 | | 9.0 | 7.5 | 6.0 | 0.55 |
| HGK3FB821○□□□ | | | 820 | | 10.0 | 7.5 | 6.0 | 0.55 |
| HGK3FB102○□□□ | | | 1000 | | 11.0 | 7.5 | 6.0 | 0.55 |
| HGK3FB122○□□□ | | | 1200 | | 11.0 | 7.5 | 6.0 | 0.55 |
| HGK3FB152○□□□ | | | 1500 | | 12.0 | 10.0 | 6.0 | 0.55 |
| HGK3FB182○□□□ | | | 1800 | | 13.0 | 10.0 | 6.0 | 0.55 |
| HGK3FB222○□□□ | | | 2200 | | 14.0 | 10.0 | 6.0 | 0.55 |
| HGK3FB272○□□□ | | | 2700 | | 15.0 | 10.0 | 6.0 | 0.55 |
| HGK3FB332○□□□ | | | 3300 | | 17.0 | 10.0 | 6.0 | 0.55 |
| HGK3FB392○□□□ | | | 3900 | | 18.0 | 10.0 | 6.0 | 0.55 |
| HGK3FB472○□□□ | 4700 | 19.0 | 10.0 | 6.0 | 0.55 | | | |
| HGK3FE102○□□□ | 3KV DC | E/Y5U | 1000 | M,Z | 8.0 | 7.5 | 6.0 | 0.55 |
| HGK3FE122○□□□ | | | 1200 | | 9.0 | 7.5 | 6.0 | 0.55 |
| HGK3FE152○□□□ | | | 1500 | | 9.0 | 7.5 | 6.0 | 0.55 |
| HGK3FE182○□□□ | | | 1800 | | 9.0 | 7.5 | 6.0 | 0.55 |
| HGK3FE222○□□□ | | | 2200 | | 10.0 | 7.5 | 6.0 | 0.55 |
| HGK3FE272○□□□ | | | 2700 | | 10.0 | 7.5 | 6.0 | 0.55 |
| HGK3FE332○□□□ | | | 3300 | | 11.0 | 7.5 | 6.0 | 0.55 |
| HGK3FE392○□□□ | | | 3900 | | 12.0 | 7.5 | 6.0 | 0.55 |
| HGK3FE472○□□□ | | | 4700 | | 13.0 | 7.5 | 6.0 | 0.55 |
| HGK3FE562○□□□ | | | 5600 | | 15.0 | 10.0 | 6.0 | 0.55 |
| HGK3FE682○□□□ | 6800 | 16.0 | 10.0 | 6.0 | 0.55 | | | |
| HGK3FE103○□□□ | 10000 | 19.0 | 10.0 | 6.0 | 0.55 | | | |
| HGK3FF102○□□□ | 3KV DC | F/Y5V | 1000 | M,Z | 8.0 | 7.5 | 6.0 | 0.55 |
| HGK3FF152○□□□ | | | 1500 | | 8.0 | 7.5 | 6.0 | 0.55 |
| HGK3FF182○□□□ | | | 1800 | | 8.0 | 7.5 | 6.0 | 0.55 |
| HGK3FF222○□□□ | | | 2200 | | 8.0 | 7.5 | 6.0 | 0.55 |
| HGK3FF332○□□□ | | | 3300 | | 9.0 | 7.5 | 6.0 | 0.55 |
| HGK3FF392○□□□ | | | 3900 | | 11.0 | 7.5 | 6.0 | 0.55 |
| HGK3FF472○□□□ | | | 4700 | | 11.0 | 7.5 | 6.0 | 0.55 |
| HGK3FF682○□□□ | | | 6800 | | 12.0 | 10.0 | 6.0 | 0.55 |
| HGK3FF103○□□□ | | | 10000 | | 15.0 | 10.0 | 6.0 | 0.55 |
| HGK3FF223○□□□ | | | 22000 | | 21.0 | 10.0 | 6.0 | 0.55 |

注: 包裝方式代碼:B(散裝單品),A(折疊編帶),R(卷軸編帶)
引腳間距代碼
引腳形狀代碼
許容差:K(±10%),M(±20%),Z(-20%~+80%)

6.3額定電壓:4KV DC /6KV DC

| 品名 | 額定電壓 | 溫度特性 | 靜電容量(pF) | 許容差 | 尺寸(mm) | | | | |
|---------------|--------|-------|----------|-------|--------|-------|--------|--------|------|
| | | | | | D(max) | F±1.0 | T(max) | d±0.05 | |
| HGK3GB101○□□□ | 4KV DC | B/Y5P | 100 | K,M | 8.0 | 10.0 | 6.0 | 0.55 | |
| HGK3GB151○□□□ | | | 150 | | 8.0 | 10.0 | 6.0 | 0.55 | |
| HGK3GB221○□□□ | | | 220 | | 8.0 | 10.0 | 6.0 | 0.55 | |
| HGK3GB331○□□□ | | | 330 | | 8.0 | 10.0 | 6.0 | 0.55 | |
| HGK3GB471○□□□ | | | 470 | | 9.0 | 10.0 | 6.0 | 0.55 | |
| HGK3GB681○□□□ | | | 680 | | 10.0 | 10.0 | 6.0 | 0.55 | |
| HGK3GB102○□□□ | | 820 | 12.0 | 10.0 | 6.0 | 0.55 | | | |
| HGK3GE102○□□□ | | 1000 | E/Y5U | 1000 | M,Z | 9.0 | 10.0 | 6.0 | 0.55 |
| HGK3GE152○□□□ | | 1500 | | 11.0 | | 10.0 | 6.0 | 0.55 | |
| HGK3GE222○□□□ | | 2200 | | 12.0 | | 10.0 | 6.0 | 0.55 | |
| HGK3GE332○□□□ | | 3300 | | 14.0 | | 10.0 | 6.0 | 0.55 | |
| HGK3GE472○□□□ | | 4700 | | 17.0 | | 10.0 | 6.0 | 0.55 | |
| HGK3GF102○□□□ | | 1000 | | F/Y5V | | 1000 | M,Z | 8.0 | 10.0 |
| HGK3GF152○□□□ | | 1500 | 8.5 | | 10.0 | 6.0 | | 0.55 | |
| HGK3GF222○□□□ | | 2200 | 9.0 | | 10.0 | 6.0 | | 0.55 | |
| HGK3GF332○□□□ | | 3300 | 11.0 | | 10.0 | 6.0 | | 0.55 | |
| HGK3GF472○□□□ | | 4700 | 12.0 | | 10.0 | 6.0 | | 0.55 | |
| HGK3GF103○□□□ | | 10000 | 17.0 | | 10.0 | 6.0 | | 0.55 | |
| HGK3JB101○□□□ | 6KV DC | B/Y5P | 100 | K,M | 8.0 | 10.0 | 7.0 | 0.55 | |
| HGK3JB151○□□□ | | | 150 | | 8.0 | 10.0 | 7.0 | 0.55 | |
| HGK3JB221○□□□ | | | 220 | | 9.0 | 10.0 | 7.0 | 0.55 | |
| HGK3JB331○□□□ | | | 330 | | 9.0 | 10.0 | 7.0 | 0.55 | |
| HGK3JB471○□□□ | | | 470 | | 9.0 | 10.0 | 7.0 | 0.55 | |
| HGK3JB681○□□□ | | | 680 | | 11.0 | 10.0 | 7.0 | 0.55 | |
| HGK3JB102○□□□ | | 820 | 13.0 | 10.0 | 7.0 | 0.55 | | | |
| HGK3JE102○□□□ | | 1000 | E/Y5U | 1000 | M,Z | 9.0 | 10.0 | 7.0 | 0.55 |
| HGK3JE152○□□□ | | 1500 | | 10.0 | | 10.0 | 7.0 | 0.55 | |
| HGK3JE222○□□□ | | 2200 | | 12.0 | | 10.0 | 7.0 | 0.55 | |
| HGK3JE332○□□□ | | 3300 | | 13.0 | | 10.0 | 7.0 | 0.55 | |
| HGK3JE472○□□□ | | 4700 | | 17.0 | | 10.0 | 7.0 | 0.55 | |
| HGK3JF102○□□□ | | 1000 | | F/Y5V | | 1000 | M,Z | 8.0 | 10.0 |
| HGK3JF152○□□□ | | 1500 | 9.0 | | 10.0 | 7.0 | | 0.55 | |
| HGK3JF222○□□□ | | 2200 | 10.0 | | 10.0 | 7.0 | | 0.55 | |
| HGK3JF332○□□□ | | 3300 | 11.0 | | 10.0 | 7.0 | | 0.55 | |
| HGK3JF472○□□□ | | 4700 | 13.0 | | 10.0 | 7.0 | | 0.55 | |
| HGK3JF103○□□□ | | 10000 | 20.0 | | 10.0 | 7.0 | | 0.55 | |

注: □包裝方式代碼:B(散裝單品),A(折疊編帶),R(卷軸編帶)
 □引腳間距代碼
 □引腳形狀代碼
 ○許容差:K(±10%),M(±20%),Z(-20%~+80%)

6.4額定電壓:1KV DC /2KV DC X7R

| 品名 | 額定電壓 | 溫度特性 | 靜電容量(pF) | 許容差 | 尺寸(mm) | | | |
|---------------|--------|-------|----------|-----|--------|-------|--------|---------|
| | | | | | D(max) | F±1.0 | T(max) | d*±0.05 |
| HGK3AX101○□□□ | 1KV DC | X/X7R | 100 | K | 7.0 | 5.0 | 4.0 | 0.5 |
| HGK3AX121○□□□ | | | 120 | | 7.0 | 5.0 | 4.0 | 0.5 |
| HGK3AX151○□□□ | | | 150 | | 7.0 | 5.0 | 4.0 | 0.5 |
| HGK3AX181○□□□ | | | 180 | | 7.0 | 5.0 | 4.0 | 0.5 |
| HGK3AX221○□□□ | | | 220 | | 7.0 | 5.0 | 4.0 | 0.5 |
| HGK3AX271○□□□ | | | 270 | | 7.0 | 5.0 | 4.0 | 0.5 |
| HGK3AX331○□□□ | | | 330 | | 7.0 | 5.0 | 4.0 | 0.5 |
| HGK3AX391○□□□ | | | 390 | | 7.0 | 5.0 | 4.0 | 0.5 |
| HGK3AX471○□□□ | | | 470 | | 7.0 | 5.0 | 4.0 | 0.5 |
| HGK3AX561○□□□ | | | 560 | | 7.0 | 5.0 | 4.0 | 0.5 |
| HGK3AX681○□□□ | | | 680 | | 7.0 | 5.0 | 4.0 | 0.5 |
| HGK3AX821○□□□ | | | 820 | | 7.0 | 5.0 | 4.0 | 0.5 |
| HGK3AX102○□□□ | | | 1000 | | 7.0 | 5.0 | 4.0 | 0.5 |
| HGK3AX122○□□□ | | | 1200 | | 7.0 | 5.0 | 4.0 | 0.5 |
| HGK3AX152○□□□ | | | 1500 | | 8.0 | 5.0 | 4.0 | 0.5 |
| HGK3AX182○□□□ | | | 1800 | | 9.0 | 5.0 | 4.0 | 0.5 |
| HGK3AX222○□□□ | | | 2200 | | 9.0 | 5.0 | 4.0 | 0.5 |
| HGK3AX272○□□□ | | | 2700 | | 10.0 | 5.0 | 4.0 | 0.5 |
| HGK3AX332○□□□ | | | 3300 | | 11.0 | 5.0 | 4.0 | 0.5 |
| HGK3AX392○□□□ | | | 3900 | | 12.0 | 7.5 | 4.0 | 0.55 |
| HGK3AX472○□□□ | 4700 | 13.0 | 7.5 | 4.0 | 0.55 | | | |
| HGK3AX562○□□□ | 5600 | 14.0 | 7.5 | 4.0 | 0.55 | | | |
| HGK3AX682○□□□ | 6800 | 15.5 | 7.5 | 4.0 | 0.55 | | | |
| HGK3AX822○□□□ | 8200 | 17.0 | 7.5 | 4.0 | 0.55 | | | |
| HGK3AX103○□□□ | 10000 | 18.0 | 10.0 | 4.0 | 0.55 | | | |
| HGK3DX101○□□□ | 2KV DC | X/X7R | 100 | K | 7.0 | 5.0 | 4.0 | 0.55 |
| HGK3DX121○□□□ | | | 120 | | 7.0 | 5.0 | 4.0 | 0.55 |
| HGK3DX151○□□□ | | | 150 | | 7.0 | 5.0 | 4.0 | 0.55 |
| HGK3DX181○□□□ | | | 180 | | 7.0 | 5.0 | 4.0 | 0.55 |
| HGK3DX221○□□□ | | | 220 | | 7.0 | 5.0 | 4.0 | 0.55 |
| HGK3DX271○□□□ | | | 270 | | 7.0 | 5.0 | 4.0 | 0.55 |
| HGK3DX331○□□□ | | | 330 | | 7.0 | 5.0 | 4.0 | 0.55 |
| HGK3DX391○□□□ | | | 390 | | 7.0 | 5.0 | 4.0 | 0.55 |
| HGK3DX471○□□□ | | | 470 | | 7.0 | 5.0 | 4.0 | 0.55 |
| HGK3DX561○□□□ | | | 560 | | 7.0 | 5.0 | 4.0 | 0.55 |
| HGK3DX681○□□□ | | | 680 | | 8.0 | 5.0 | 4.0 | 0.55 |
| HGK3DX821○□□□ | | | 820 | | 8.0 | 5.0 | 4.0 | 0.55 |
| HGK3DX102○□□□ | | | 1000 | | 9.0 | 5.0 | 4.0 | 0.55 |
| HGK3DX122○□□□ | | | 1200 | | 9.0 | 5.0 | 4.0 | 0.55 |
| HGK3DX152○□□□ | | | 1500 | | 10.0 | 5.0 | 4.0 | 0.55 |
| HGK3DX182○□□□ | | | 1800 | | 11.0 | 5.0 | 4.0 | 0.55 |
| HGK3DX222○□□□ | | | 2200 | | 11.0 | 5.0 | 4.0 | 0.55 |
| HGK3DX272○□□□ | | | 2700 | | 13.0 | 5.0 | 4.0 | 0.55 |
| HGK3DX332○□□□ | | | 3300 | | 13.0 | 5.0 | 4.0 | 0.55 |
| HGK3DX392○□□□ | | | 3900 | | 15.0 | 7.5 | 4.0 | 0.55 |
| HGK3DX472○□□□ | 4700 | 17.0 | 7.5 | 4.0 | 0.55 | | | |

注: □包裝方式代碼:B(散裝單品),A(折疊編帶),R(卷軸編帶)
 □引腳間距代碼
 □引腳形狀代碼
 ○許容差:K(±10%)

6.5額定電壓:3KV DC X7R

| 品名 | 額定電壓 | 溫度特性 | 靜電容量(pF) | 許容差 | 尺寸(mm) | | | |
|---------------|--------|-------|----------|-----|--------|-------|--------|--------|
| | | | | | D(max) | F±1.0 | T(max) | d±0.05 |
| HGK3FX101○□□□ | 3KV DC | X/X7R | 100 | K | 8.0 | 7.5 | 6.0 | 0.55 |
| HGK3FX121○□□□ | | | 120 | | 8.0 | 7.5 | 6.0 | 0.55 |
| HGK3FX151○□□□ | | | 150 | | 8.0 | 7.5 | 6.0 | 0.55 |
| HGK3FX181○□□□ | | | 180 | | 8.0 | 7.5 | 6.0 | 0.55 |
| HGK3FX221○□□□ | | | 220 | | 8.0 | 7.5 | 6.0 | 0.55 |
| HGK3FX271○□□□ | | | 270 | | 8.0 | 7.5 | 6.0 | 0.55 |
| HGK3FX331○□□□ | | | 330 | | 8.0 | 7.5 | 6.0 | 0.55 |
| HGK3FX391○□□□ | | | 390 | | 8.0 | 7.5 | 6.0 | 0.55 |
| HGK3FX471○□□□ | | | 470 | | 8.0 | 7.5 | 6.0 | 0.55 |
| HGK3FX561○□□□ | | | 560 | | 9.0 | 7.5 | 6.0 | 0.55 |
| HGK3FX681○□□□ | | | 680 | | 9.0 | 7.5 | 6.0 | 0.55 |
| HGK3FX821○□□□ | | | 820 | | 10.0 | 7.5 | 6.0 | 0.55 |
| HGK3FX102○□□□ | | | 1000 | | 11.0 | 7.5 | 6.0 | 0.55 |
| HGK3FX122○□□□ | | | 1200 | | 11.0 | 7.5 | 6.0 | 0.55 |
| HGK3FX152○□□□ | | | 1500 | | 12.0 | 7.5 | 6.0 | 0.55 |
| HGK3FX182○□□□ | | | 1800 | | 13.0 | 7.5 | 6.0 | 0.55 |
| HGK3FX222○□□□ | | | 2200 | | 14.0 | 7.5 | 6.0 | 0.55 |
| HGK3FX272○□□□ | | | 2700 | | 15.0 | 7.5 | 6.0 | 0.55 |
| HGK3FX332○□□□ | | | 3300 | | 17.0 | 10.0 | 6.0 | 0.55 |
| HGK3FX392○□□□ | | | 3900 | | 18.0 | 10.0 | 6.0 | 0.55 |
| HGK3FX472○□□□ | 4700 | 19.0 | 10.0 | 6.0 | 0.55 | | | |

- 注:
- 包裝方式代碼:B(散裝單品),A(折疊編帶),R(卷軸編帶)
 - 引腳間距代碼
 - 引腳形狀代碼
 - 許容差:K(±10%)

7. 規格及測試方法

NO:WM-S08-003B04

7.1測試標準條件:a.溫度:15~35°C b.濕度:45~75% c.大氣壓:86~106千帕

(如有爭議時或顧客要求時,採用:a.溫度20±2°C b.濕度:60~70% 大氣壓:86~106千帕)

7.2規格

| NO | 項目 | | 規格 | 測試方法 | | | | | | | | | | | | |
|-------------------|------------------------------------------|--------------------------|----------------------------------------------|--------------------------------------------------------------------------------------------------------------------------------------------------------------------------------------------------------------------------------------------------------------------------------------------------------------------|------|----|-------------------|-------|---|---|------|------|-------|------|------|------|
| 1 | 使用溫度範圍 | | -25~+125°C | | | | | | | | | | | | | |
| 2 | 外觀及尺寸 | | 1.外觀無可見損傷 2.尺寸符合規格要求 | 目視檢查外觀. 尺寸使用遊標卡尺測量. | | | | | | | | | | | | |
| 3 | 記號 | | 1.記號清晰可見 | 目視檢查. | | | | | | | | | | | | |
| 4 | 靜電容量 | | 1.符合規定許容差以內 | 在溫度20±2°C, 以頻率1±0.2KHz, 電壓1V±0.1rms測定. | | | | | | | | | | | | |
| 5 | 損耗系數(D. F值) | | B,X,E特性:2.5% max F特性:5.0% max | 在溫度20±2°C, 以頻率1±0.2KHz, 電壓1V±0.1rms測定. | | | | | | | | | | | | |
| 6 | 絕緣電阻(IR) | | 10000MΩ Min | 以DC500±50V測定60±5秒之後值. | | | | | | | | | | | | |
| 7 | 耐電壓 | 端子間 | 無跳火, 擊穿異常現象. | 施加2.0倍額定電壓(額定電壓範圍:DC1KV~DC3KV), 施加1.5倍額定電壓(額定電壓範圍:DC3KV以上)測定1~5秒, 其充放電流限制50mA以下. | | | | | | | | | | | | |
| | | 端子與外裝間 | 無跳火, 擊穿異常現象. | 如圖(1)使用金屬小球法, 以1.3KV DC電壓測定 1~5秒.其充放電流 限制50mA以下.  | | | | | | | | | | | | |
| 8 | 溫度特性 | | B,X特性:±10% E特性:+20%~-55% F特性:+30%~-80% | <p>預處理：樣本需存放在 85±2°C 環境下 1小時, 然後放置室溫下24±2小時 依規定階段溫度測試(以步驟3為基準)</p> <table border="1"> <thead> <tr> <th>步驟</th> <th>1</th> <th>2</th> <th>3</th> <th>4</th> <th>5</th> </tr> </thead> <tbody> <tr> <td>溫度°C</td> <td>20±2</td> <td>-25±3</td> <td>20±2</td> <td>85±2</td> <td>20±2</td> </tr> </tbody> </table> | 步驟 | 1 | 2 | 3 | 4 | 5 | 溫度°C | 20±2 | -25±3 | 20±2 | 85±2 | 20±2 |
| 步驟 | 1 | 2 | 3 | 4 | 5 | | | | | | | | | | | |
| 溫度°C | 20±2 | -25±3 | 20±2 | 85±2 | 20±2 | | | | | | | | | | | |
| 9 | 引腳強度 | 抗拉強度 | 導線不斷裂, 電容器不破損. | <p>如圖(2)</p> <table border="1"> <thead> <tr> <th>負荷</th> <th>時間</th> </tr> </thead> <tbody> <tr> <td>1.0Kg</td> <td>10±1秒</td> </tr> </tbody> </table>  | 負荷 | 時間 | 1.0Kg | 10±1秒 | | | | | | | | |
| | | 負荷 | | 時間 | | | | | | | | | | | | |
| 1.0Kg | 10±1秒 | | | | | | | | | | | | | | | |
| 彎曲強度 | 將電容器本體旋轉到90度位置後釋放到180度相反位置並回到原點.負荷0.5Kg. | | | | | | | | | | | | | | | |
| 10 | 耐振性 | 外觀 | 無破缺, 開裂等異常 | | | | | | | | | | | | | |
| | | 靜電容量變化率 | 符合規定許容差以內 | <table border="1"> <thead> <tr> <th>振動頻率</th> <th>時間</th> </tr> </thead> <tbody> <tr> <td>從10Hz到55Hz再回到10Hz</td> <td>60秒</td> </tr> </tbody> </table> | 振動頻率 | 時間 | 從10Hz到55Hz再回到10Hz | 60秒 | | | | | | | | |
| | | 振動頻率 | 時間 | | | | | | | | | | | | | |
| 從10Hz到55Hz再回到10Hz | 60秒 | | | | | | | | | | | | | | | |
| 損耗系數(D. F值) | B,X,E特性:2.5% max F特性:5.0% max | 全振幅1.5mm在X, Y, Z3個方向各2小時 | | | | | | | | | | | | | | |

| NO | 專案 | 規格 | 測試方法 | | | | | | | | |
|------|--------------|------------------------------------------------------------------------------------------------------------------------------------------|---------------------------------------------------------------------------------------------------------------------------------------------------------------------------------------------------------------------------------------------------------------------|------|---------|--------|----------|----------|--------------|----|----------|
| 11 | 引腳焊錫性 | 引腳上須有圓周75%以上面積被新焊錫覆蓋 | 使用助焊劑 <table border="1"> <tr> <td>焊錫溫度</td> <td>235±5℃</td> </tr> <tr> <td>焊接時間</td> <td>2±0.5秒</td> </tr> </table> | 焊錫溫度 | 235±5℃ | 焊接時間 | 2±0.5秒 | | | | |
| 焊錫溫度 | 235±5℃ | | | | | | | | | | |
| 焊接時間 | 2±0.5秒 | | | | | | | | | | |
| 12 | 焊錫耐熱性 | 外觀 無破缺, 開裂等異常 靜電容量變化率 B特性:±5%,X特性: ±7.5% E特性:±15% F特性:±20% 耐電壓(端子間) 參見項目7. | <table border="1"> <tr> <td>焊錫溫度</td> <td>350±10℃</td> <td>270±5℃</td> </tr> <tr> <td>焊接時間</td> <td>3.5±0.5秒</td> <td>5±0.5秒</td> </tr> </table> 如圖(3)焊錫後在常溫常濕中放置24±2小時後再測試.  | 焊錫溫度 | 350±10℃ | 270±5℃ | 焊接時間 | 3.5±0.5秒 | 5±0.5秒 | | |
| 焊錫溫度 | 350±10℃ | 270±5℃ | | | | | | | | | |
| 焊接時間 | 3.5±0.5秒 | 5±0.5秒 | | | | | | | | | |
| 13 | 耐濕性 | 外觀 無破缺, 開裂等異常 損耗系數(D, F值) B,X,E特性:5.0% max F特性:7.5% max IR 1000MΩ Min 靜電容量變化率 B特性:±10%,X特性: ±12.5% E特性:±20% F特性:±30% | <table border="1"> <tr> <td>溫度</td> <td>40±2℃</td> </tr> <tr> <td>濕度</td> <td>90~95%RH</td> </tr> <tr> <td>時間</td> <td>500+24,-0小時</td> </tr> </table> 在常溫常濕下放置1~2小時後再測試. | 溫度 | 40±2℃ | 濕度 | 90~95%RH | 時間 | 500+24,-0小時 | | |
| 溫度 | 40±2℃ | | | | | | | | | | |
| 濕度 | 90~95%RH | | | | | | | | | | |
| 時間 | 500+24,-0小時 | | | | | | | | | | |
| 14 | 耐濕負荷 | 外觀 無破缺, 開裂等異常 損耗系數(D, F值) B,X,E特性:5.0% max F特性:7.5% max IR 500MΩ Min 靜電容量變化率 B特性:±10%,X特性: ±12.5% E特性:±20% F特性:±30% | <table border="1"> <tr> <td>溫度</td> <td>40±2℃</td> </tr> <tr> <td>濕度</td> <td>90~95%RH</td> </tr> <tr> <td>時間</td> <td>500+24,-0小時</td> </tr> <tr> <td>電壓</td> <td>額定電壓</td> </tr> </table> 在常溫常濕下放置24±2小時後再測試. | 溫度 | 40±2℃ | 濕度 | 90~95%RH | 時間 | 500+24,-0小時 | 電壓 | 額定電壓 |
| 溫度 | 40±2℃ | | | | | | | | | | |
| 濕度 | 90~95%RH | | | | | | | | | | |
| 時間 | 500+24,-0小時 | | | | | | | | | | |
| 電壓 | 額定電壓 | | | | | | | | | | |
| 15 | 耐久性實驗 | 外觀 無破缺, 開裂等異常 損耗系數(D, F值) B,X,E特性:4.5% max F特性:7.5% max IR 2000MΩ Min 靜電容量變化率 B特性:±10% X特性:±12.5% E特性:±20% F特性:±30% | 充放電流限制在50mA以下. <table border="1"> <tr> <td>溫度</td> <td>125±2℃</td> </tr> <tr> <td>濕度</td> <td>90~95%RH</td> </tr> <tr> <td>時間</td> <td>1000+48,-0小時</td> </tr> <tr> <td>電壓</td> <td>1.5倍額定電壓</td> </tr> </table> 在常溫常濕下放置24±2小時後再測試. | 溫度 | 125±2℃ | 濕度 | 90~95%RH | 時間 | 1000+48,-0小時 | 電壓 | 1.5倍額定電壓 |
| 溫度 | 125±2℃ | | | | | | | | | | |
| 濕度 | 90~95%RH | | | | | | | | | | |
| 時間 | 1000+48,-0小時 | | | | | | | | | | |
| 電壓 | 1.5倍額定電壓 | | | | | | | | | | |

| NO | 項目 | 規格 | 測試方法 | | | | | | |
|---------------------|-------------|----------------------------------|------------|-----------------------|------|-----|--|------|--|
| 16 | 溫度和含浸循環 | 外觀 | 外觀無可見損傷 | 電容器作5次溫度循環,再連續2次含浸循環. | | | | | |
| | | 靜電容量變化 | B特性:±10% | | | | | 溫度循環 | |
| | | | X特性:±12.5% | | | | | | |
| | | | E特性:±20% | | | | | | |
| | | | F特性:±30% | | | | | | |
| | 損耗系數(D, F值) | B,X,E特性:4.0% max F特性:7.5% max | 步驟 | 溫度(°C) | 時間 | | | | |
| | IR | 2000MΩ | 1 | -25±3 | 30分鐘 | | | | |
| | | 耐電壓(端子間) | 參見項目7. | 2 | 常溫常濕 | 3分鐘 | | | |
| | 3 | | | +125±3 | 30分鐘 | | | | |
| | 4 | | | 常溫常濕 | 3分鐘 | | | | |
| | | | 含浸循環 | | | | | | |
| | | | 步驟 | 溫度(°C) | 時間 | 含浸水 | | | |
| | | | 1 | +65+5/0 | 15分種 | 純水 | | | |
| | | | 2 | 常溫常濕 | 15分種 | 鹽水 | | | |
| 在常溫常濕下放置4~24小時後再測試. | | | | | | | | | |

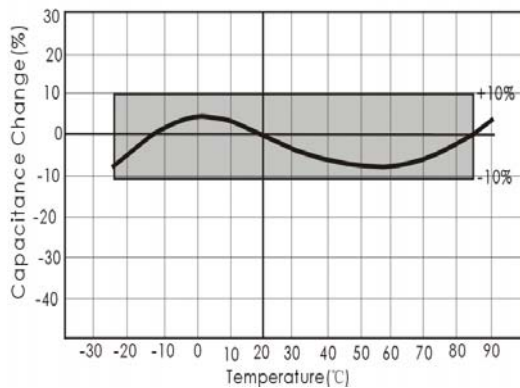
注:1.常溫常濕:溫度15~35°C,濕度:45~75%RH,大氣壓:86~106千帕

8. 特性曲線圖

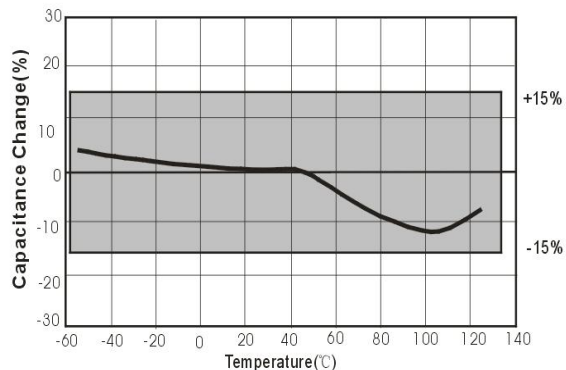
NO:WM-S08-003B04

8.1 容量溫度特性

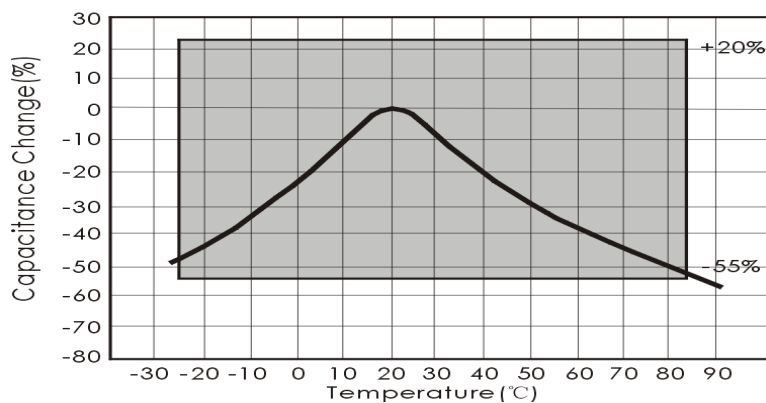
Char: B(Y5P)



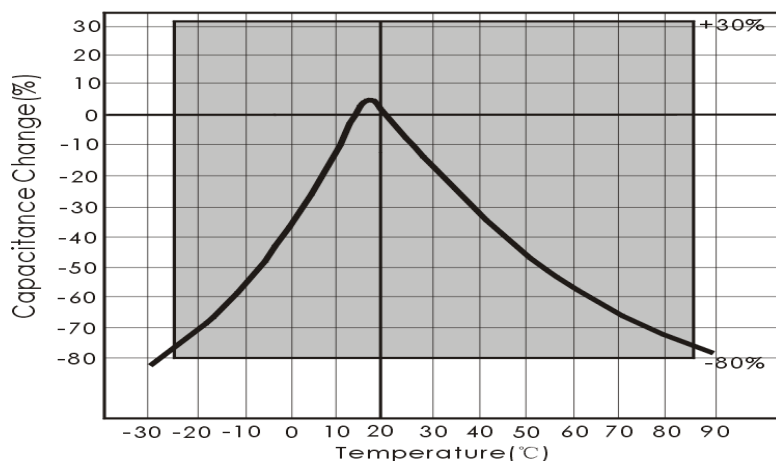
Char: X(X7R)



Char:E (Y5U)



Char:F (Y5V)

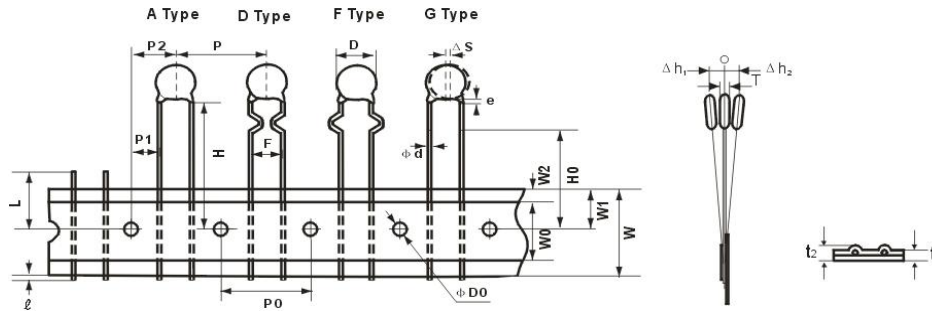


9 編帶尺寸圖及包裝

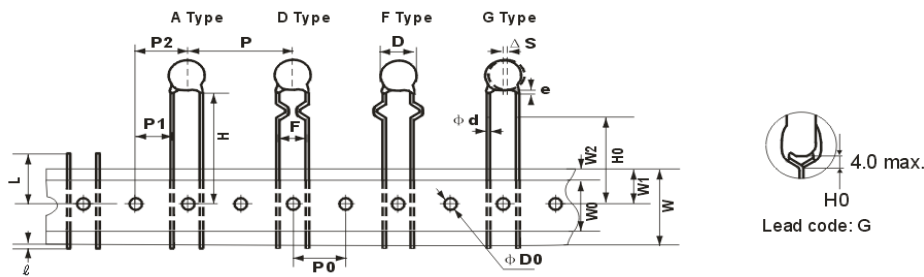
NO:WM-S08-003B04

9.1 編帶尺寸圖：12.7孔距

- 腳距 5.0/7.5 mm/瓷片片徑 < 10mm (腳型代碼: A2,A3,D2,D3,F2,F3,G2,G3)



- 腳距為 7.5/10.0mm/瓷片片徑 ≥ 10mm (腳型代碼:A3,A4,D3,D4,F3,F4,G3,G4)

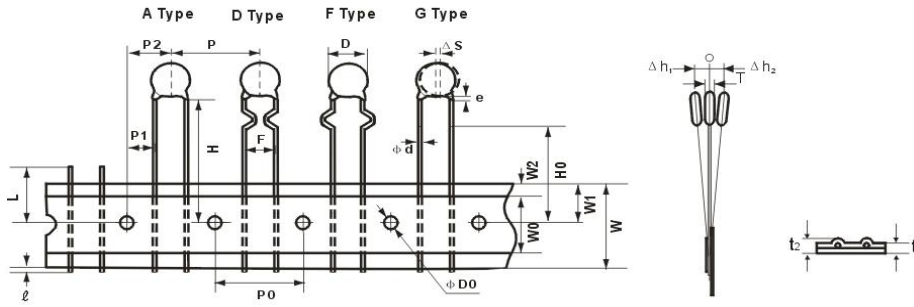


| 項目 | 記號 | A2/D2/F2/G2 | A3/D3/F3/G3 | A3/D3/F3/G3 | A4/D4/F4/G4 |
|--------------|-----------------|-----------------------|-------------|-------------|-------------|
| 製品間距 | P | 12.7 | 12.7 | 25.4 | 25.4 |
| 驅動孔間距 | P ₀ | 12.7±0.3 | 12.7±0.3 | 12.7±0.3 | 12.7±0.3 |
| 導線間距 | F | 5.0±1.0 | 7.5±1.0 | 7.5±1.0 | 10.0±1.0 |
| 驅動穴位置偏移 | P ₁ | 3.85±0.7 | 2.6±0.7 | 8.95±1.0 | 7.7±1.0 |
| | P ₂ | 6.35±1.3 | 6.35±1.3 | 12.7±1.3 | 12.7±1.3 |
| 製品直徑 | D | 參見N0.6 | | | |
| 製品偏移 | △S | 0±2.0 | | | |
| 紙帶寬度 | W | 18.0±0.5 | | | |
| 孔洞位置 | W ₁ | 9.0±0.5 | | | |
| 製品低部到驅動穴中心 | H | 20.0±1.5 (直腳品) | | | |
| 折彎處到驅動穴中心 | H ₀ | 18.0-1.0/+1.5 (彎腳品) | | | |
| 驅動穴直徑 | ΦD ₀ | 4.0±0.2 | | | |
| 導線直徑 | Φd | 0.5±0.05/0.55±0.05 | | | |
| 紙帶, 膠帶厚度 | t ₁ | 0.6±0.3 | | | |
| 紙帶, 膠帶, 導線厚度 | t ₂ | 2.0 max | | | |
| 製品厚度 | T | 參見NO.6 | | | |
| 產品移除后引線長度 | L | 11.0 max | | | |
| 膠帶寬度 | W ₀ | 10.0±2 | | | |
| 粘膠帶位置誤差 | W ₂ | 1.5±1.5 | | | |
| 塗裝腳長 | e | 4.0 max (彎腳品: 不超過彎腳處) | | | |
| 製品傾斜 | △h ₁ | 2.0 max | | | |
| | △h ₂ | | | | |
| 引腳超出紙帶長度 | ℓ | +0.5~-1.0 | | | |

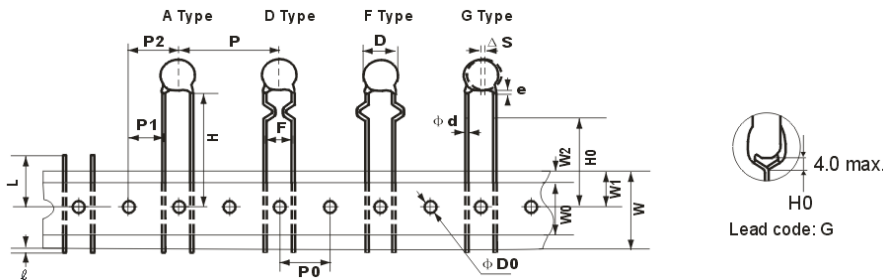
9.2 編帶尺寸圖：15.0 孔距

NO:WM-S08-003B04

- 腳距 5.0/7.5 mm/瓷片片徑 < 13mm (腳型代碼: A2,A3,D2,D3,F2,F3,G2,G3)

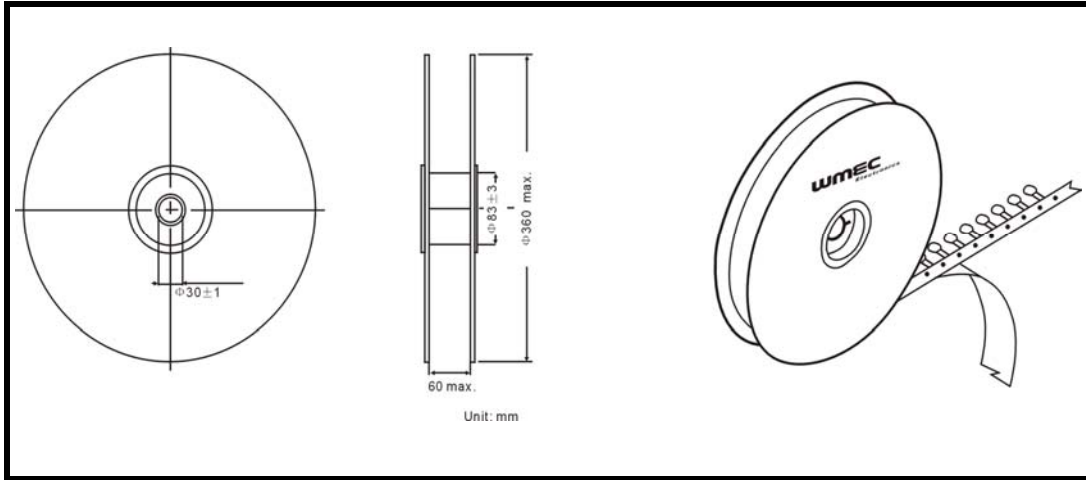


- 腳距為 7.5/10.0mm/瓷片片徑 ≥ 13mm (腳型代碼:A3,A4,D3,D4,F3,F4,G3,G4)

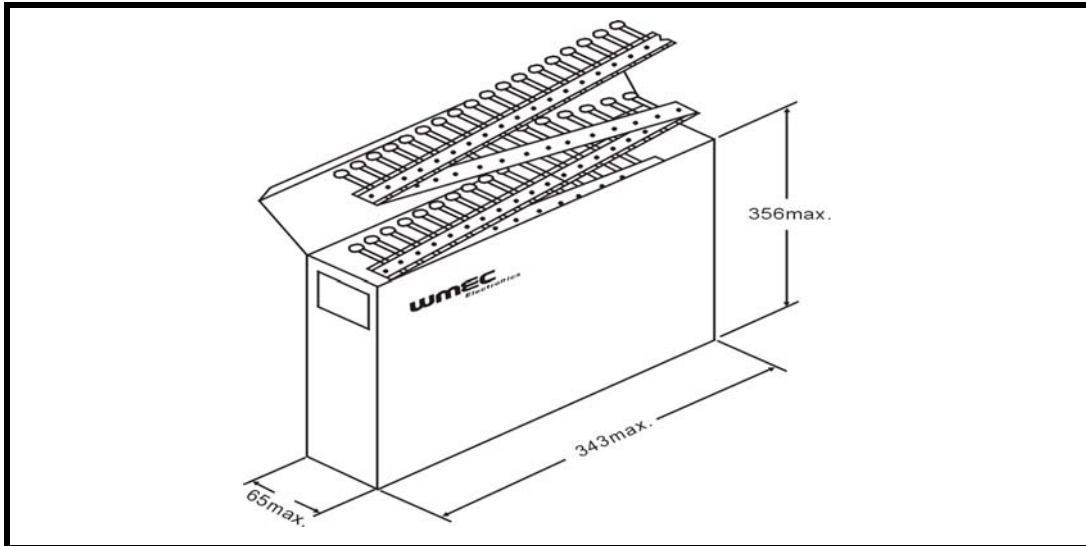


| 項目 | 記號 | A2/D2/F2/G2 | A3/D3/F3/G3 | A3/D3/F3/G3 | A4/D4/F4/G4 |
|--------------|-----------------|-----------------------|-------------|-------------|-------------|
| 製品間距 | P | 15 | 15 | 30 | 30 |
| 驅動孔間距 | P ₀ | 15±0.3 | 15±0.3 | 15±0.3 | 15±0.3 |
| 導線間距 | F | 5.0±1.0 | 7.5±1.0 | 7.5±1.0 | 10.0±1.0 |
| 驅動穴位置偏移 | P ₁ | 5.0±0.7 | 3.75±0.7 | 11.25±1.0 | 10.0±1.0 |
| | P ₂ | 7.5±1.3 | 7.5±1.3 | 15.0±1.3 | 15.0±1.3 |
| 製品直徑 | D | 參見NO.6 | | | |
| 製品偏移 | △S | 0±2.0 | | | |
| 紙帶寬度 | W | 18.0±0.5 | | | |
| 孔洞位置 | W ₁ | 9.0±0.5 | | | |
| 製品低部到驅動穴中心 | H | 20.0±1.5 (直腳品) | | | |
| 折彎處到驅動穴中心 | H ₀ | 18.0-1.0/+1.5 (彎腳品) | | | |
| 驅動穴直徑 | ΦD ₀ | 4.0±0.2 | | | |
| 導線直徑 | Φd | 0.5±0.05/0.55±0.05 | | | |
| 紙帶, 膠帶厚度 | t ₁ | 0.6±0.3 | | | |
| 紙帶, 膠帶, 導線厚度 | t ₂ | 2.0 max | | | |
| 製品厚度 | T | 參見NO.6 | | | |
| 產品移除后引線長度 | L | 11.0 max | | | |
| 膠帶寬度 | W ₀ | 10.0±2 | | | |
| 粘膠帶位置誤差 | W ₂ | 1.5±1.5 | | | |
| 塗裝腳長 | e | 4.0 max (彎腳品: 不超過彎腳處) | | | |
| 製品傾斜 | △h ₁ | 2.0 max | | | |
| | △h ₂ | | | | |
| 引腳超出紙帶長度 | ℓ | +0.5~-1.0 | | | |

9.3 卷軸編帶包裝



9.4 折疊編帶包裝



9.5 包裝數量

Pitch:12.7mm編帶品 : 2000pcs/盒

Pitch:15.0mm編帶品 : 1500pcs/盒

10. 包裝及數量:散裝品

NO:WM-S08-003B04

10.1 製品直徑4.5~9.0mm :1000pcs/袋

10.2 製品直徑10mm以上 :500pcs/袋

11. 標籤範例

例:



12. 修定事項說明

- 1.如有相關材料,製品及製造工廠變更,我們將及時通知您.
- 2.請在標準使用條件下使用.如有超出使用條件造成損壞,我司不承擔責任.
- 3.如有不詳及建議之處,請及時與我們聯絡,我們將提供解答說明.

X-ON Electronics

Largest Supplier of Electrical and Electronic Components

Click to view similar products for [Ceramic Disc Capacitors](#) category:

Click to view products by [WMEC](#) manufacturer:

Other Similar products are found below :

[5AU100JCECA](#) [5AU220JCGCA](#) [5AU560JCJCA](#) [DEF2CLH020CA3B](#) [DEF2CLH030CJ3B](#) [101GHR102K](#) [NCD102K1KVY5FF](#)
[NCD103M1KVZ5UF](#) [NCD331K1KVY5FF](#) [440LT68AP-R](#) [CK60AX471M](#) [AOL-1502-02](#) [NCD103M1KVZ5UJTBF](#) [DEF2CLH040CN3A](#)
[DEF2CLH080DA3B](#) [0811-040-X7R0-102K](#) [8903D0](#) [90410-10](#) [CK61BX471K](#) [YV101103Z060HAND5P](#) [SL102101J060BAND5P](#)
[YP202102K080D04A7H](#) [ZU501103M090B20C6P](#) [ZU102103M100X05B0P](#) [YP102271K050B20C6P](#) [YP102391K050BAND5P](#)
[YP501101K040BAND5P](#) [ZU102103M100BAND5H](#) [YP102681K060B20C6P](#) [YP501121K040B20C6P](#) [SL102181J070HAND5P](#)
[YP501471K040B20C6P](#) [SL102151J070HAND5P](#) [YP501102K050HAND5P](#) [ZU501102M050B20C6P](#) [YP501472K100B20C6P](#)
[ZU102103M100B20C0P](#) [YV500223Z080HAND5P](#) [F121K25S3NN63J5R](#) [F121K25S3NP63K7R](#) [F121K25S3NR63K7R](#)
[F122K47S3NP63K7R](#) [F681K43S3NR63K7R](#) [S470J25SL0N6TJ5R](#) [HVCC103Y6P152MEAX](#) [S103Z43Y5VN6TJ5R](#)
[DCH102K34Y5PP6FJ5A0](#) [CC1H220KA1EDCH4B1100](#) [CC3A222MC1GEF45H31MF](#) [CC3D103MC1IEF49D61MF](#)