


| | |
|----|--|
| 编号 | |
| 日期 | |

| | | |
|-----------------------------------------------------------------------------------|-------------------------------------------------------------------------------------|-------------------------------------------------------------------------------------|
| 核准 | 审核 | 制作 |
|  |  |  |

承 认 书

客户名称:

产品类别: 氧化锌压敏电阻器

产品规格:

万明产品料号:

客户产品料号:

| | | | |
|---------------------------------------------------------------------------------------------------------------------------|-------------|---------------|------------|
| 【For Customer approval Only】 | | Date: _____ | |
| Qualification Status: <input type="checkbox"/> Full <input type="checkbox"/> Restricted <input type="checkbox"/> Rejected | | | |
| Approved By | Verified By | Re-checked By | Checked By |
| | | | |

XIAMEN WANMING ELECTRONICS CO.,LTD
 NO.88 BAIHUYAN ROAD JIMEI DISTRICT, XIAMEN,P.R.CHINA 361022 ,
 TEL: +86 592 6771888 FAX. +86 592 6770888 [http:// www.wmec.cn](http://www.wmec.cn)



Rating and Characteristics
特性

| CUSTOMER PART NO. 客戶料號 | Part Number 萬明料號 | 压敏电压 (V) | 公差 Tol. | Dimensions (Unit: mm) 尺寸 (mm) | | | | | |
|------------------------------|------------------------|-------------|------------|----------------------------------|-----------|------------|------------|-------------|-------------|
| | | | | D (max) | F ±1.0 | T (max) | d ±0.05 | A0 (max) | L (±0.5) |
| | | | | | | | | | |
| | | | | | | | | | |
| | | | | | | | | | |
| | | | | | | | | | |
| | | | | | | | | | |
| | | | | | | | | | |
| | | | | | | | | | |
| | | | | | | | | | |

客户特规:

WMR-D TYPE : 標準浪湧抑制型

1. 適用範圍

本規格書適用於以氧化鋅為主要原料, 環氧樹脂(阻燃型符合UL94 V-0) 包封引線型浪湧抑制壓敏電阻.

2. 特性

- 2.1 電壓範圍寬:11~1200V
- 2.2 非線性係數大
- 2.3 通流容量大
- 2.4 反映時間快

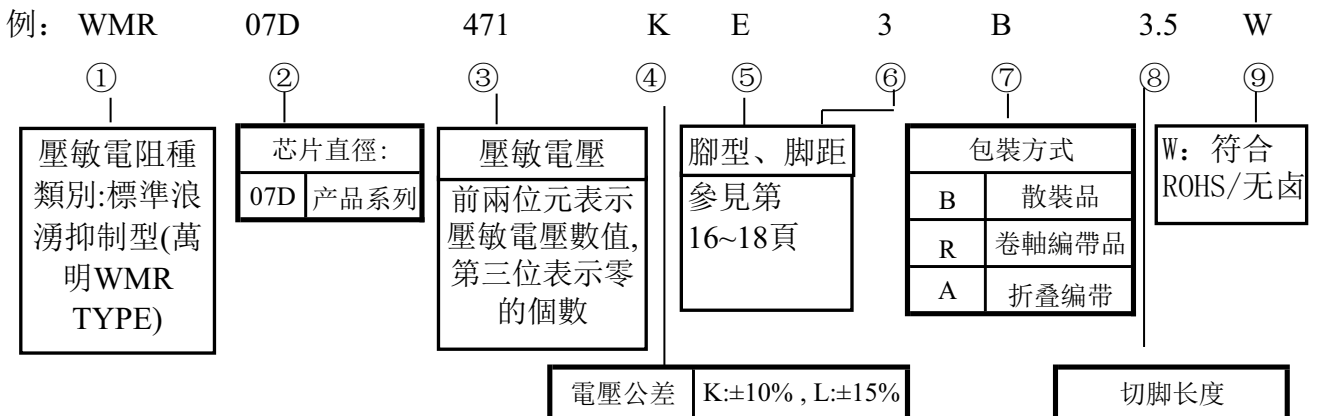
3. 主要用途

- 3.1 保護IC, 二極體, 閘流體, 屏逼半導體器件及其他半導體元件.
- 3.2 抑制消費性電子及工業用電子產品內部主電源所產生的瞬間突波.
- 3.3 通信, 測量, 控制儀器浪湧過電壓保護
- 3.4 電磁閥, 繼電器操作過電壓保護

4. 安全規格認證

| 认证机构 | 产品标准 | 证书号 | 安规图案 |
|------|--------------------|----------|---------------------------------------------------------------------------------------|
| CQC | CQC14001104983 | C0056804 |  |
| VDE | IEC61051-2-2: 1991 | 40043176 |  |
| UL | UL 1449 | E333988 |  |
| CSA | CAN/CSA C22.2 | 2143044 |  |

5. 品名構成說明



6. 特性參數(05D系列)

6.1工作溫度範圍:-40~85℃

6.2儲存溫度範圍:-40~125℃

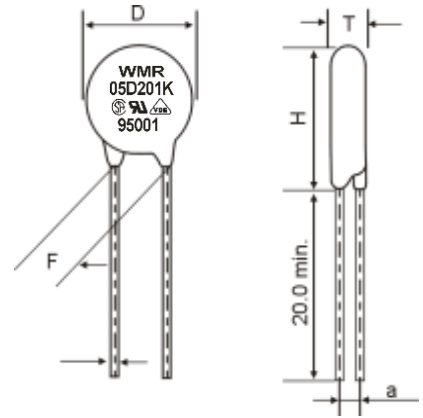
6.3電性能參數

| 品名 | 壓敏電壓 | 最大工作電壓 | | 最大限制電壓 | 最大峰值電流(8/20us) | | 靜態功率 | 能量耐量 | | 電容量 |
|------------|------------------------|------------|--------|---------------------|----------------|-------------|------|------------|-----|-----------|
| | V _{1.0mA} (V) | AC rms (V) | DC (V) | V _{5A} (V) | 1 time (A) | 2 times (A) | (W) | 10/1000 us | 2ms | @1KHZ(pF) |
| WMR05D180L | 18(16~21) | 11 | 14 | • 40 | 100 | 50 | 0.01 | 0.4 | 0.3 | 1400 |
| WMR05D220K | 22(20~24) | 14 | 18 | • 48 | 100 | 50 | 0.01 | 0.5 | 0.4 | 1150 |
| WMR05D270K | 27(24~30) | 17 | 22 | • 60 | 100 | 50 | 0.01 | 0.6 | 0.5 | 930 |
| WMR05D330K | 33(30~36) | 20 | 26 | • 73 | 100 | 50 | 0.01 | 0.8 | 0.6 | 760 |
| WMR05D390K | 39(35~43) | 25 | 31 | • 86 | 100 | 50 | 0.01 | 0.9 | 0.8 | 640 |
| WMR05D470K | 47(42~52) | 30 | 38 | • 104 | 100 | 50 | 0.01 | 1.1 | 1.0 | 530 |
| WMR05D560K | 56(50~62) | 35 | 45 | • 123 | 100 | 50 | 0.01 | 1.3 | 1.0 | 450 |
| WMR05D680K | 68(61~75) | 40 | 56 | • 150 | 100 | 50 | 0.01 | 1.6 | 1.2 | 370 |
| WMR05D820K | 82(74~90) | 50 | 65 | 145 | 400 | 200 | 0.10 | 2.5 | 1.7 | 300 |
| WMR05D101K | 100(90~110) | 60 | 85 | 175 | 400 | 200 | 0.10 | 3.0 | 2.0 | 250 |
| WMR05D121K | 120(108~132) | 75 | 100 | 210 | 400 | 200 | 0.10 | 4.0 | 2.5 | 210 |
| WMR05D151K | 150(135~165) | 95 | 125 | 260 | 400 | 200 | 0.10 | 4.8 | 3.0 | 165 |
| WMR05D201K | 200(185~225) | 130 | 170 | 355 | 400 | 200 | 0.10 | 6.5 | 4.0 | 125 |
| WMR05D221K | 220(198~242) | 140 | 180 | 380 | 400 | 200 | 0.10 | 7.0 | 4.5 | 110 |
| WMR05D241K | 240(216~264) | 150 | 200 | 415 | 400 | 200 | 0.10 | 8.0 | 5.0 | 100 |
| WMR05D271K | 270(243~297) | 175 | 225 | 475 | 400 | 200 | 0.10 | 8.5 | 6.0 | 95 |
| WMR05D301K | 300(270~330) | 190 | 250 | 520 | 400 | 200 | 0.10 | 9.0 | 6.5 | 85 |
| WMR05D331K | 330(297~363) | 210 | 275 | 570 | 400 | 200 | 0.10 | 9.5 | 7.0 | 75 |
| WMR05D391K | 390(351~429) | 250 | 320 | 675 | 400 | 200 | 0.10 | 12.0 | 8.0 | 65 |
| WMR05D431K | 430(387~473) | 275 | 350 | 745 | 400 | 200 | 0.10 | 13.0 | 9.0 | 60 |
| WMR05D471K | 470(423~517) | 300 | 385 | 810 | 400 | 200 | 0.10 | 15.0 | 10 | 55 |
| WMR05D511K | 510(459~561) | 320 | 415 | 845 | 400 | 200 | 0.10 | 16.0 | 11 | 50 |
| WMR05D561K | 560(504~616) | 350 | 460 | 920 | 400 | 200 | 0.10 | 16.0 | 11 | 45 |

• 180L~680K最大抑制電壓為1A電流測試。

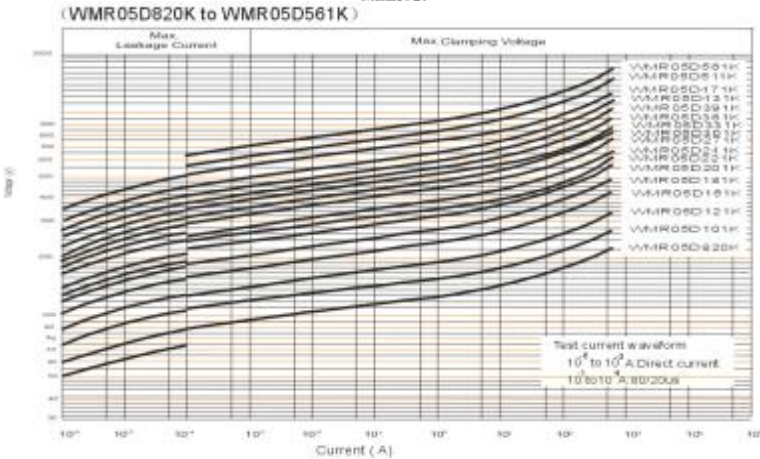
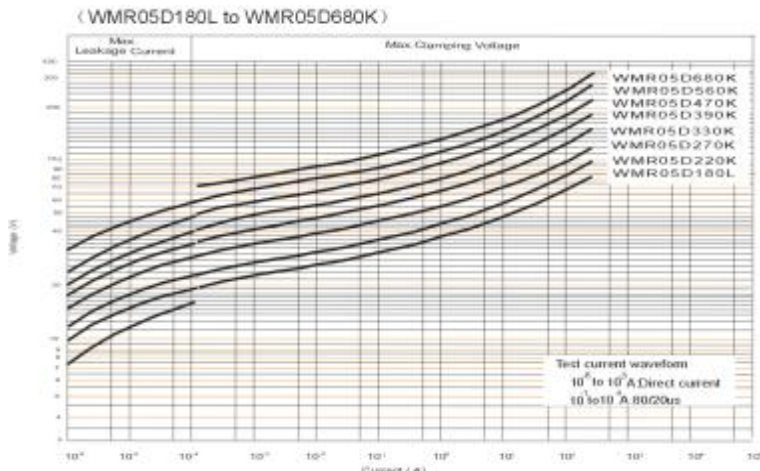
6.4外形尺寸(mm)

| 品名 | D max | T max | F | H max | a | d |
|------------|-------|-------|---------|-------|---------|-----------|
| WMR05D180L | 7.5 | 4.5 | 5.0±1.0 | 10.0 | 1.5±1.0 | 0.55±0.05 |
| WMR05D220K | 7.5 | 4.5 | 5.0±1.0 | 10.0 | 1.5±1.0 | 0.55±0.05 |
| WMR05D270K | 7.5 | 4.5 | 5.0±1.0 | 10.0 | 1.5±1.0 | 0.55±0.05 |
| WMR05D330K | 7.5 | 4.5 | 5.0±1.0 | 10.0 | 1.5±1.0 | 0.55±0.05 |
| WMR05D390K | 7.5 | 4.5 | 5.0±1.0 | 10.0 | 1.5±1.0 | 0.55±0.05 |
| WMR05D470K | 7.5 | 4.5 | 5.0±1.0 | 10.0 | 1.5±1.0 | 0.55±0.05 |
| WMR05D560K | 7.5 | 5.0 | 5.0±1.0 | 10.0 | 1.8±1.0 | 0.55±0.05 |
| WMR05D680K | 7.5 | 5.2 | 5.0±1.0 | 10.0 | 2.3±1.0 | 0.55±0.05 |
| WMR05D820K | 7.5 | 4.1 | 5.0±1.0 | 10.0 | 1.5±1.0 | 0.55±0.05 |
| WMR05D101K | 7.5 | 4.3 | 5.0±1.0 | 10.0 | 1.5±1.0 | 0.55±0.05 |
| WMR05D121K | 7.5 | 4.5 | 5.0±1.0 | 10.0 | 1.8±1.0 | 0.55±0.05 |
| WMR05D151K | 7.5 | 4.8 | 5.0±1.0 | 10.0 | 1.6±1.0 | 0.55±0.05 |
| WMR05D181K | 7.5 | 4.3 | 5.0±1.0 | 10.0 | 1.6±1.0 | 0.55±0.05 |
| WMR05D201K | 7.5 | 4.4 | 5.0±1.0 | 10.0 | 1.6±1.0 | 0.55±0.05 |
| WMR05D221K | 7.5 | 4.5 | 5.0±1.0 | 10.0 | 1.7±1.0 | 0.55±0.05 |
| WMR05D241K | 7.5 | 4.6 | 5.0±1.0 | 10.0 | 1.7±1.0 | 0.55±0.05 |
| WMR05D301K | 7.5 | 5.0 | 5.0±1.0 | 10.0 | 1.9±1.0 | 0.55±0.05 |
| WMR05D331K | 7.5 | 5.1 | 5.0±1.0 | 10.0 | 1.9±1.0 | 0.55±0.05 |
| WMR05D361K | 7.5 | 5.2 | 5.0±1.0 | 10.0 | 2.4±1.0 | 0.55±0.05 |
| WMR05D391K | 7.5 | 5.4 | 5.0±1.0 | 10.0 | 2.6±1.0 | 0.55±0.05 |
| WMR05D431K | 7.5 | 5.7 | 5.0±1.0 | 10.0 | 2.7±1.0 | 0.55±0.05 |
| WMR05D471K | 7.5 | 6.0 | 5.0±1.0 | 10.0 | 2.8±1.0 | 0.55±0.05 |
| WMR05D561K | 7.5 | 6.0 | 7.5±1.0 | 10.0 | 3.2±1.0 | 0.55±0.05 |

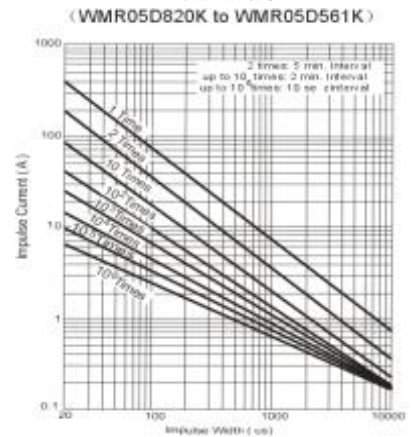
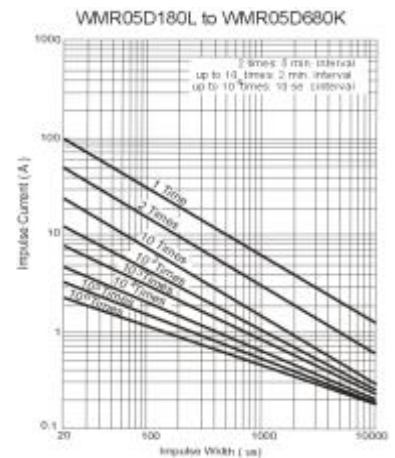


6.5特性曲線圖

6.5.1電壓-電流特性圖



6.5.2脈衝壽命圖



7. 特性參數 (07D系列)

7.1 工作溫度範圍:-40~85℃

7.2 儲存溫度範圍:-40~125℃

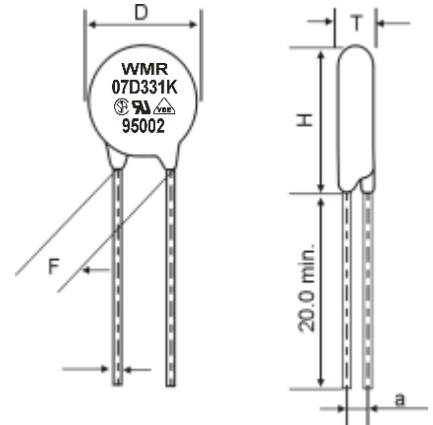
7.3 電性能參數

| 品名 | 壓敏電壓 | 最大工作電壓 | | 最大限制電壓 | 最大峰值電流(8/20us) | | 額定功率 | 能量耐量 | | 電容量 |
|------------|------------------------|------------|--------|----------------------|----------------|-------------|------|------------|-----|-----------|
| | V _{1.0mA} (V) | AC rms (V) | DC (V) | V _{10A} (V) | 1 time (A) | 2 times (A) | (W) | 10/1000 us | 2ms | @1KHZ(pF) |
| WMR07D180L | 18(16~21) | 11 | 14 | • 36 | 250 | 125 | 0.02 | 0.9 | 0.8 | 2800 |
| WMR07D220K | 22(20~24) | 14 | 18 | • 43 | 250 | 125 | 0.02 | 1.1 | 0.9 | 2300 |
| WMR07D270K | 27(24~30) | 17 | 22 | • 53 | 250 | 125 | 0.02 | 1.4 | 1.0 | 1800 |
| WMR07D330K | 33(30~36) | 20 | 26 | • 65 | 250 | 125 | 0.02 | 1.7 | 1.2 | 1500 |
| WMR07D390K | 39(35~43) | 25 | 31 | • 77 | 250 | 125 | 0.02 | 2.1 | 1.5 | 1300 |
| WMR07D470K | 47(42~52) | 30 | 38 | • 93 | 250 | 125 | 0.02 | 2.5 | 1.8 | 1100 |
| WMR07D560K | 56(50~62) | 35 | 45 | • 110 | 250 | 125 | 0.02 | 3.1 | 2.2 | 890 |
| WMR07D680K | 68(61~75) | 40 | 56 | • 135 | 250 | 125 | 0.02 | 3.6 | 2.5 | 740 |
| WMR07D820K | 82(74~90) | 50 | 65 | 135 | 1200 | 600 | 0.25 | 5.5 | 3.5 | 600 |
| WMR07D101K | 100(90~110) | 60 | 85 | 165 | 1200 | 600 | 0.25 | 6.5 | 4.0 | 500 |
| WMR07D121K | 120(108~132) | 75 | 100 | 200 | 1200 | 600 | 0.25 | 7.8 | 5.0 | 420 |
| WMR07D151K | 150(135~165) | 95 | 125 | 250 | 1200 | 600 | 0.25 | 9.7 | 6.0 | 330 |
| WMR07D201K | 200(185~225) | 130 | 170 | 340 | 1200 | 600 | 0.25 | 13.0 | 10 | 250 |
| WMR07D221K | 220(198~242) | 140 | 180 | 360 | 1200 | 600 | 0.25 | 14.0 | 10 | 230 |
| WMR07D241K | 240(216~264) | 150 | 200 | 395 | 1200 | 600 | 0.25 | 15.0 | 10 | 210 |
| WMR07D271K | 270(243~297) | 175 | 225 | 455 | 1200 | 600 | 0.25 | 18.0 | 12 | 185 |
| WMR07D301K | 300(270~330) | 190 | 250 | 500 | 1200 | 600 | 0.25 | 20.0 | 13 | 165 |
| WMR07D331K | 330(297~363) | 210 | 275 | 550 | 1200 | 600 | 0.25 | 23.0 | 14 | 150 |
| WMR07D391K | 390(351~429) | 250 | 320 | 650 | 1200 | 600 | 0.25 | 25.0 | 17 | 130 |
| WMR07D431K | 430(387~473) | 275 | 350 | 710 | 1200 | 600 | 0.25 | 28.0 | 20 | 115 |
| WMR07D471K | 470(423~517) | 300 | 385 | 775 | 1200 | 600 | 0.25 | 30.0 | 20 | 105 |
| WMR07D511K | 510(459~561) | 320 | 415 | 845 | 1200 | 600 | 0.25 | 30.0 | 20 | 100 |
| WMR07D561K | 560(504~616) | 350 | 460 | 930 | 1200 | 600 | 0.25 | 30.0 | 20 | 90 |
| WMR07D621K | 620(558~682) | 385 | 505 | 1025 | 1200 | 600 | 0.25 | 33.0 | 22 | 80 |
| WMR07D681K | 680(612~748) | 420 | 560 | 1120 | 1200 | 600 | 0.25 | 33.0 | 22 | 75 |

• 180L~680K最大抑制電壓為2.5A電流測試.

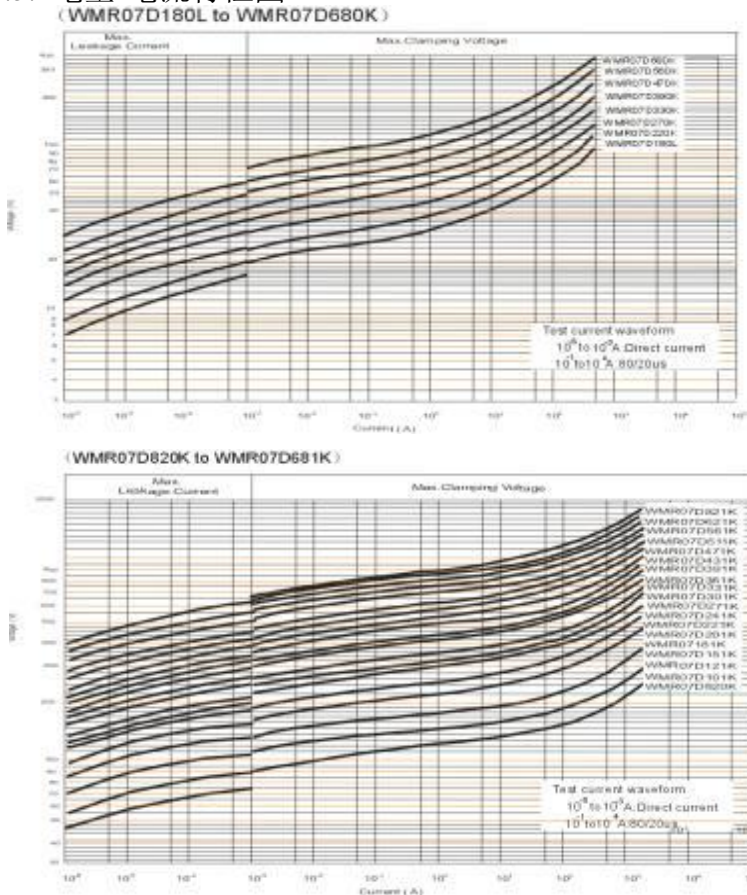
7.4外形尺寸(mm)

| 品名 | D max | T max | F | H max | a | d |
|------------|-------|-------|---------|-------|---------|-----------|
| WMR07D180L | 9.0 | 4.5 | 5.0±1.0 | 13.0 | 1.5±1.0 | 0.55±0.05 |
| WMR07D220K | 9.0 | 4.6 | 5.0±1.0 | 13.0 | 1.5±1.0 | 0.55±0.05 |
| WMR07D270K | 9.0 | 4.7 | 5.0±1.0 | 13.0 | 1.5±1.0 | 0.55±0.05 |
| WMR07D330K | 9.0 | 4.9 | 5.0±1.0 | 13.0 | 1.6±1.0 | 0.55±0.05 |
| WMR07D390K | 9.0 | 4.8 | 5.0±1.0 | 13.0 | 1.8±1.0 | 0.55±0.05 |
| WMR07D470K | 9.0 | 4.9 | 5.0±1.0 | 13.0 | 1.8±1.0 | 0.55±0.05 |
| WMR07D560K | 9.0 | 5.0 | 5.0±1.0 | 13.0 | 2.0±1.0 | 0.55±0.05 |
| WMR07D680K | 9.0 | 5.2 | 5.0±1.0 | 13.0 | 2.3±1.0 | 0.55±0.05 |
| WMR07D820K | 9.0 | 4.1 | 5.0±1.0 | 13.0 | 1.5±1.0 | 0.55±0.05 |
| WMR07D101K | 9.0 | 4.3 | 5.0±1.0 | 13.0 | 1.5±1.0 | 0.55±0.05 |
| WMR07D121K | 9.0 | 4.5 | 5.0±1.0 | 13.0 | 1.5±1.0 | 0.55±0.05 |
| WMR07D151K | 9.0 | 4.8 | 5.0±1.0 | 13.0 | 1.8±1.0 | 0.55±0.05 |
| WMR07D181K | 9.0 | 4.3 | 5.0±1.0 | 13.0 | 1.6±1.0 | 0.55±0.05 |
| WMR07D201K | 9.0 | 4.4 | 5.0±1.0 | 13.0 | 1.6±1.0 | 0.55±0.05 |
| WMR07D221K | 9.0 | 4.5 | 5.0±1.0 | 13.0 | 1.7±1.0 | 0.55±0.05 |
| WMR07D241K | 9.0 | 4.6 | 5.0±1.0 | 13.0 | 1.9±1.0 | 0.55±0.05 |
| WMR07D271K | 9.0 | 4.9 | 5.0±1.0 | 13.0 | 2.0±1.0 | 0.55±0.05 |
| WMR07D301K | 9.0 | 5.0 | 5.0±1.0 | 13.0 | 2.1±1.0 | 0.55±0.05 |
| WMR07D331K | 9.0 | 5.1 | 5.0±1.0 | 13.0 | 2.1±1.0 | 0.55±0.05 |
| WMR07D361K | 9.0 | 5.2 | 5.0±1.0 | 13.0 | 2.5±1.0 | 0.55±0.05 |
| WMR07D391K | 9.0 | 5.4 | 5.0±1.0 | 13.0 | 2.6±1.0 | 0.55±0.05 |
| WMR07D431K | 9.0 | 5.7 | 5.0±1.0 | 13.0 | 2.9±1.0 | 0.55±0.05 |
| WMR07D471K | 9.0 | 6.0 | 5.0±1.0 | 13.0 | 2.9±1.0 | 0.55±0.05 |
| WMR07D511K | 9.0 | 6.0 | 5.0±1.0 | 13.0 | 3.0±1.0 | 0.55±0.05 |
| WMR07D561K | 9.0 | 6.0 | 5.0±1.0 | 13.0 | 3.2±1.0 | 0.55±0.05 |
| WMR07D621K | 9.0 | 7.1 | 5.0±1.0 | 13.0 | 3.3±1.0 | 0.55±0.05 |
| WMR07D681K | 9.0 | 7.3 | 5.0±1.0 | 13.0 | 3.4±1.0 | 0.55±0.05 |

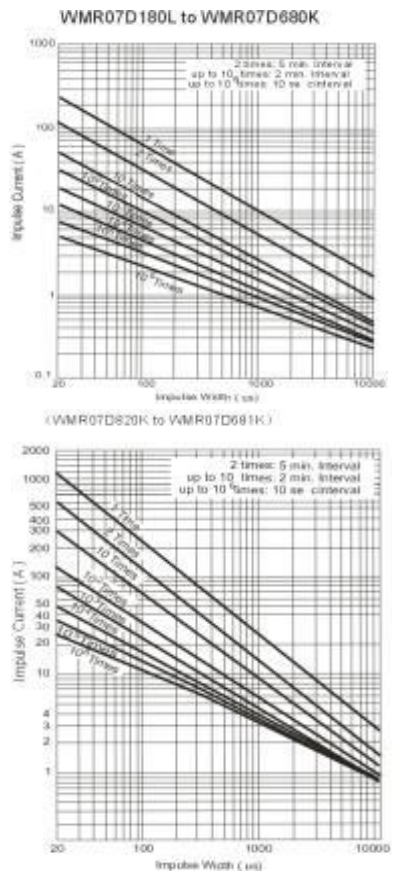


7.5特性曲線圖

7.5.1 電壓-電流特性圖



7.5.2 脈衝壽命圖



8. 特性參數(10D系列)

8.1工作溫度範圍:-40~85℃

8.2儲存溫度範圍:-40~125℃

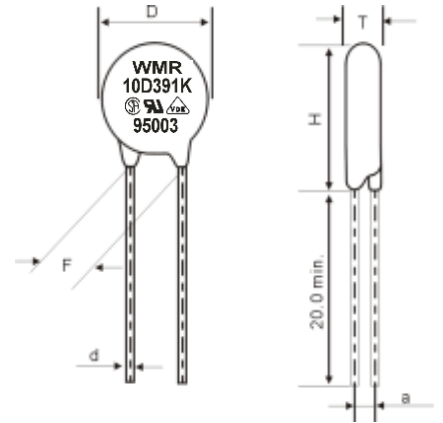
8.3電性能參數

| 品名 | 壓敏電壓 | 最大工作電壓 | | 最大限制電壓 | 最大峰值電流(8/20us) | | 額定功率 | 能量耐量 | | 電容量 |
|------------|------------------------|------------|--------|----------------------|----------------|-------------|------|------------|------|-----------|
| | V _{1.0mA} (V) | AC rms (V) | DC (V) | V _{25A} (V) | 1 time (A) | 2 times (A) | (W) | 10/1000 us | 2ms | @1KHZ(pF) |
| WMR10D180L | 18(16~21) | 11 | 14 | • 36 | 500 | 250 | 0.05 | 2.1 | 1.5 | 5600 |
| WMR10D220K | 22(20~24) | 14 | 18 | • 43 | 500 | 250 | 0.05 | 2.5 | 2.0 | 4500 |
| WMR10D270K | 27(24~30) | 17 | 22 | • 53 | 500 | 250 | 0.05 | 3.0 | 2.5 | 3700 |
| WMR10D330K | 33(30~36) | 20 | 26 | • 65 | 500 | 250 | 0.05 | 4.0 | 3.0 | 3000 |
| WMR10D390K | 39(35~43) | 25 | 31 | • 77 | 500 | 250 | 0.05 | 4.6 | 3.5 | 2400 |
| WMR10D470K | 47(42~52) | 30 | 38 | • 93 | 500 | 250 | 0.05 | 5.5 | 4.5 | 2100 |
| WMR10D560K | 56(50~62) | 35 | 45 | • 110 | 500 | 250 | 0.05 | 7.0 | 5.5 | 1800 |
| WMR10D680K | 68(61~75) | 40 | 56 | • 135 | 500 | 250 | 0.05 | 8.2 | 6.5 | 1500 |
| WMR10D820K | 82(74~90) | 50 | 65 | 135 | 2500 | 1250 | 0.40 | 12.0 | 8.0 | 1200 |
| WMR10D101K | 100(90~110) | 60 | 85 | 165 | 2500 | 1250 | 0.40 | 15.0 | 10.0 | 1000 |
| WMR10D121K | 120(108~132) | 75 | 100 | 200 | 2500 | 1250 | 0.40 | 18.0 | 12.0 | 830 |
| WMR10D151K | 150(135~165) | 95 | 125 | 250 | 2500 | 1250 | 0.40 | 22.0 | 16.0 | 670 |
| WMR10D201K | 200(185~225) | 130 | 170 | 340 | 2500 | 1250 | 0.40 | 30.0 | 20 | 500 |
| WMR10D221K | 220(198~242) | 140 | 180 | 360 | 2500 | 1250 | 0.40 | 32.0 | 23 | 450 |
| WMR10D241K | 240(216~264) | 150 | 200 | 395 | 2500 | 1250 | 0.40 | 35.0 | 25 | 420 |
| WMR10D271K | 270(243~297) | 175 | 225 | 455 | 2500 | 1250 | 0.40 | 40.0 | 30 | 370 |
| WMR10D301K | 300(270~330) | 190 | 250 | 500 | 2500 | 1250 | 0.40 | 40.0 | 32 | 330 |
| WMR10D331K | 330(297~363) | 210 | 275 | 550 | 2500 | 1250 | 0.40 | 43.0 | 34 | 300 |
| WMR10D391K | 390(351~429) | 250 | 320 | 650 | 2500 | 1250 | 0.40 | 60.0 | 40 | 260 |
| WMR10D431K | 430(387~473) | 275 | 350 | 710 | 2500 | 1250 | 0.40 | 65.0 | 45 | 230 |
| WMR10D471K | 470(423~517) | 300 | 385 | 775 | 2500 | 1250 | 0.40 | 70.0 | 45 | 210 |
| WMR10D511K | 510(459~561) | 320 | 415 | 845 | 2500 | 1250 | 0.40 | 70.0 | 45 | 200 |
| WMR10D561K | 560(504~616) | 350 | 460 | 925 | 2500 | 1250 | 0.40 | 70.0 | 45 | 180 |
| WMR10D621K | 620(558~682) | 385 | 505 | 1025 | 2500 | 1250 | 0.40 | 70.0 | 45 | 160 |
| WMR10D681K | 680(612~748) | 420 | 560 | 1120 | 2500 | 1250 | 0.40 | 70.0 | 45 | 150 |
| WMR10D751K | 750(675~825) | 460 | 615 | 1240 | 2500 | 1250 | 0.40 | 75.0 | 50 | 130 |
| WMR10D781K | 780(702~858) | 485 | 640 | 1290 | 2500 | 1250 | 0.40 | 80.0 | 50 | 130 |
| WMR10D821K | 820(738~902) | 510 | 670 | 1355 | 2500 | 1250 | 0.40 | 85.0 | 55 | 120 |
| WMR10D911K | 910(819~1001) | 550 | 745 | 1500 | 2500 | 1250 | 0.40 | 93.0 | 60 | 110 |
| WMR10D102K | 1000(900~1100) | 625 | 825 | 1650 | 2500 | 1250 | 0.40 | 102.0 | 65 | 100 |
| WMR10D112K | 1100(990~1210) | 680 | 895 | 1815 | 2500 | 1250 | 0.40 | 115.0 | 70 | 90 |

• 180L~680K最大抑制電壓為5A電流測試。

8.4外形尺寸(mm)

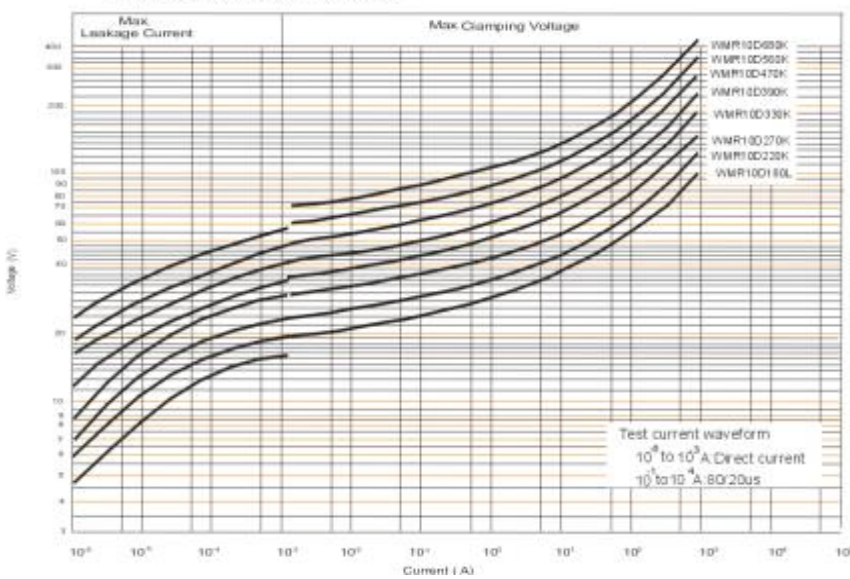
| 品名 | D max | T max | F | H max | a | d |
|------------|-------|-------|---------|-------|---------|-----------|
| WMR10D180L | 12.5 | 4.6 | 7.5±1.0 | 17.0 | 1.4±1.0 | 0.75±0.05 |
| WMR10D220K | 12.5 | 4.7 | 7.5±1.0 | 17.0 | 1.5±1.0 | 0.75±0.05 |
| WMR10D270K | 12.5 | 4.8 | 7.5±1.0 | 17.0 | 1.5±1.0 | 0.75±0.05 |
| WMR10D330K | 12.5 | 5 | 7.5±1.0 | 17.0 | 1.6±1.0 | 0.75±0.05 |
| WMR10D390K | 12.5 | 5.3 | 7.5±1.0 | 17.0 | 1.8±1.0 | 0.75±0.05 |
| WMR10D470K | 12.5 | 5.4 | 7.5±1.0 | 17.0 | 1.8±1.0 | 0.75±0.05 |
| WMR10D560K | 12.5 | 5.5 | 7.5±1.0 | 17.0 | 2.0±1.0 | 0.75±0.05 |
| WMR10D680K | 12.5 | 5.6 | 7.5±1.0 | 17.0 | 2.3±1.0 | 0.75±0.05 |
| WMR10D820K | 12.5 | 4.7 | 7.5±1.0 | 17.0 | 1.5±1.0 | 0.75±0.05 |
| WMR10D101K | 12.5 | 4.9 | 7.5±1.0 | 17.0 | 1.5±1.0 | 0.75±0.05 |
| WMR10D121K | 12.5 | 5.1 | 7.5±1.0 | 17.0 | 1.5±1.0 | 0.75±0.05 |
| WMR10D151K | 12.5 | 5.4 | 7.5±1.0 | 17.0 | 1.8±1.0 | 0.75±0.05 |
| WMR10D181K | 12.5 | 5.0 | 7.5±1.0 | 17.0 | 1.6±1.0 | 0.75±0.05 |
| WMR10D201K | 12.5 | 5.0 | 7.5±1.0 | 17.0 | 1.6±1.0 | 0.75±0.05 |
| WMR10D221K | 12.5 | 5.0 | 7.5±1.0 | 17.0 | 1.7±1.0 | 0.75±0.05 |
| WMR10D241K | 12.5 | 5.2 | 7.5±1.0 | 17.0 | 1.9±1.0 | 0.75±0.05 |
| WMR10D301K | 12.5 | 5.5 | 7.5±1.0 | 17.0 | 2.2±1.0 | 0.75±0.05 |
| WMR10D331K | 12.5 | 5.8 | 7.5±1.0 | 17.0 | 2.2±1.0 | 0.75±0.05 |
| WMR10D361K | 12.5 | 6.0 | 7.5±1.0 | 17.0 | 2.5±1.0 | 0.75±0.05 |
| WMR10D391K | 12.5 | 6.2 | 7.5±1.0 | 17.0 | 2.8±1.0 | 0.75±0.05 |
| WMR10D431K | 12.5 | 6.5 | 7.5±1.0 | 17.0 | 3.1±1.0 | 0.75±0.05 |
| WMR10D471K | 12.5 | 6.8 | 7.5±1.0 | 17.0 | 3.2±1.0 | 0.75±0.05 |
| WMR10D511K | 12.5 | 6.8 | 7.5±1.0 | 17.0 | 3.2±1.0 | 0.75±0.05 |
| WMR10D561K | 12.5 | 6.8 | 7.5±1.0 | 17.0 | 4.0±1.0 | 0.75±0.05 |
| WMR10D621K | 12.5 | 7.3 | 7.5±1.0 | 17.0 | 4.6±1.0 | 0.75±0.05 |
| WMR10D681K | 12.5 | 7.6 | 7.5±1.0 | 17.0 | 5.0±1.0 | 0.75±0.05 |
| WMR10D751K | 12.5 | 8.0 | 7.5±1.0 | 17.0 | 5.0±1.0 | 0.75±0.05 |
| WMR10D781K | 12.5 | 8.1 | 7.5±1.0 | 17.0 | 5.2±1.0 | 0.75±0.05 |
| WMR10D821K | 12.5 | 8.3 | 7.5±1.0 | 17.0 | 5.2±1.0 | 0.75±0.05 |
| WMR10D911K | 12.5 | 8.8 | 7.5±1.0 | 17.0 | 6.0±1.0 | 0.75±0.05 |
| WMR10D102K | 12.5 | 9.3 | 7.5±1.0 | 17.0 | 6.0±1.0 | 0.75±0.05 |
| WMR10D112K | 12.5 | 9.9 | 7.5±1.0 | 17.0 | 6.3±1.0 | 0.75±0.05 |



8.5特性曲線圖

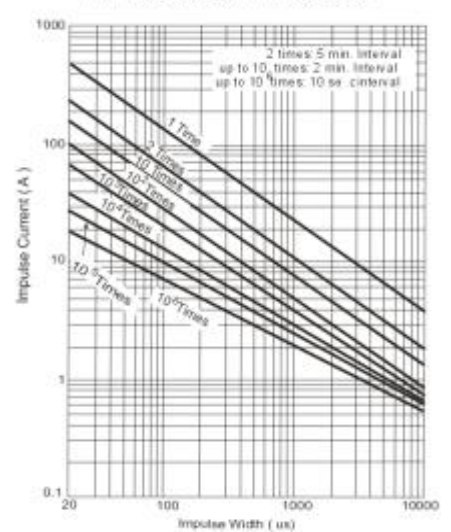
8.5.1電壓-電流圖

(WMR10D180L to WMR10D680K)

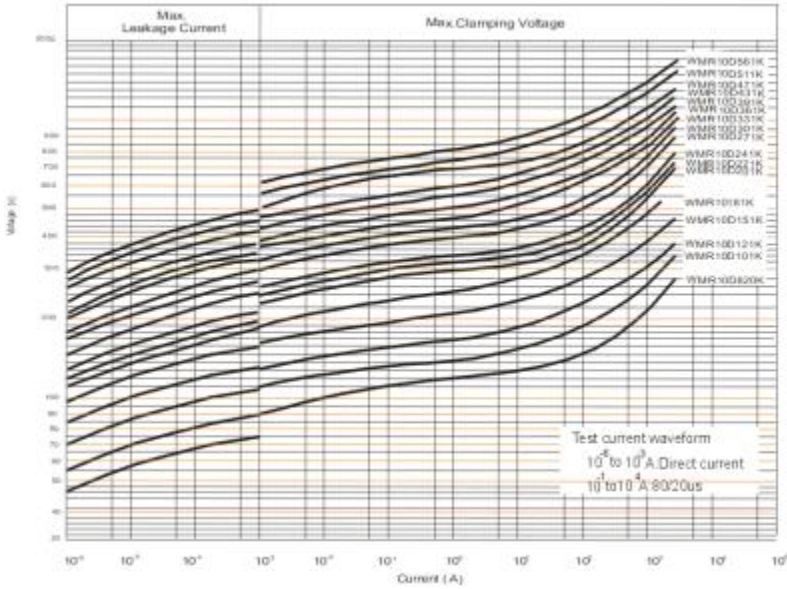


8.5.2脈衝特性圖

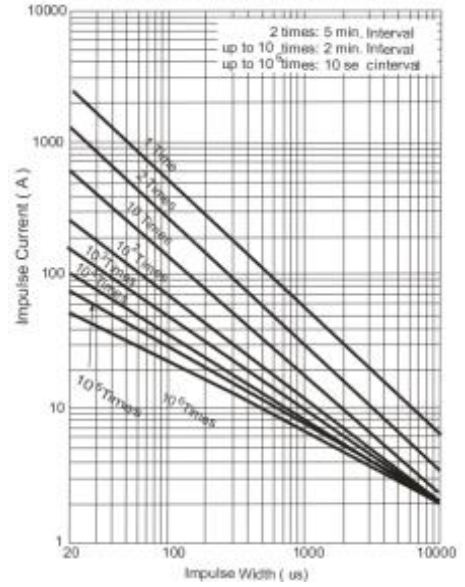
(WMR10D180L to WMR10D680K)



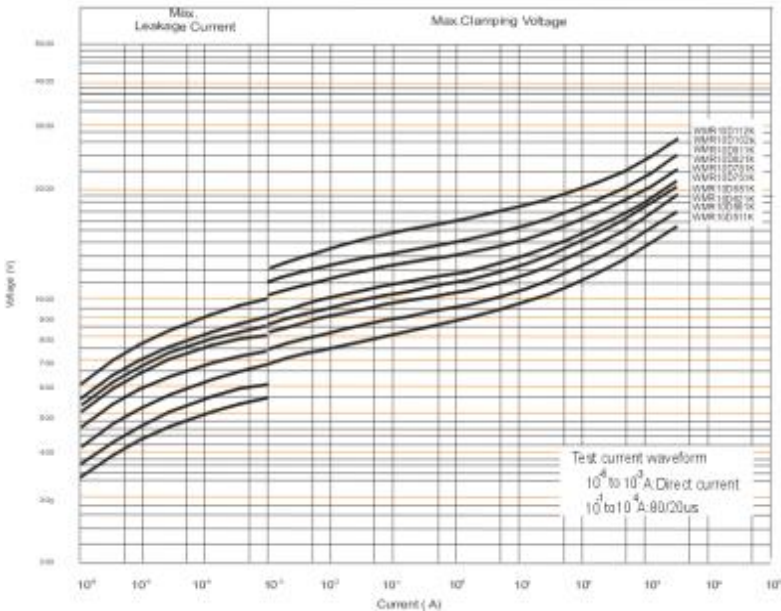
(WMR10D820K to WMR10D471K)



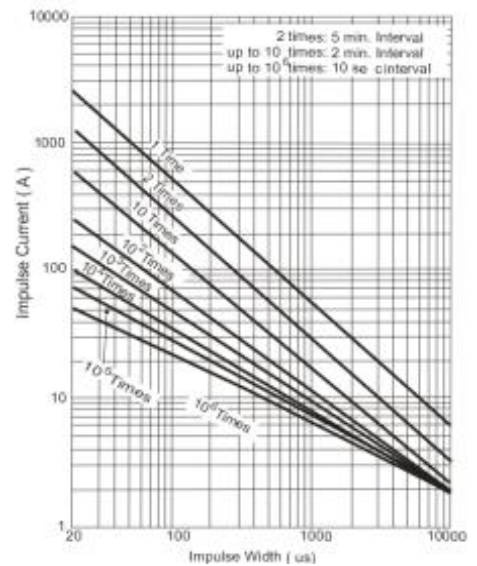
(WMR10D820k to WMR10D471K)



(WMR10D511K to WMR10D112K)



(WMR10D511K to WMR10D112K)



9. 特性參數 (14D系列)

9.1 工作溫度範圍:-40~85°C

9.2 儲存溫度範圍:-40~125°C

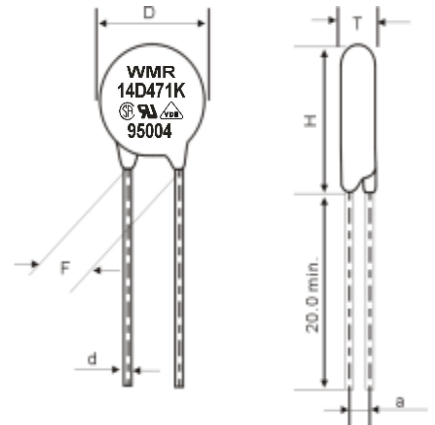
9.3 電性能參數

| 品名 | 壓敏電壓 | 最大工作電壓 | | 最大限制電壓 | 最大峰值電流(8/20us) | | 額定功率 | 能量耐量 | | 電容量 |
|------------|------------------------|------------|--------|----------------------|----------------|-------------|------|------------|------|-----------|
| | V _{1.0mA} (V) | AC rms (V) | DC (V) | V _{50A} (V) | 1 time (A) | 2 times (A) | (W) | 10/1000 us | 2ms | @1KHZ(pF) |
| WMR14D180L | 18(16~21) | 11 | 14 | • 36 | 1000 | 500 | 0.10 | 4.0 | 3.5 | 11100 |
| WMR14D220K | 22(20~24) | 14 | 18 | • 43 | 1000 | 500 | 0.10 | 5.0 | 4.0 | 9100 |
| WMR14D270K | 27(24~30) | 17 | 22 | • 53 | 1000 | 500 | 0.10 | 6.0 | 5.0 | 7400 |
| WMR14D330K | 33(30~36) | 20 | 26 | • 65 | 1000 | 500 | 0.10 | 7.5 | 6.0 | 6100 |
| WMR14D390K | 39(35~43) | 25 | 31 | • 77 | 1000 | 500 | 0.10 | 8.6 | 7.0 | 5100 |
| WMR14D470K | 47(42~52) | 30 | 38 | • 93 | 1000 | 500 | 0.10 | 10.0 | 8.5 | 4300 |
| WMR14D560K | 56(50~62) | 35 | 45 | • 110 | 1000 | 500 | 0.10 | 11.0 | 10.0 | 3600 |
| WMR14D680K | 68(61~75) | 40 | 56 | • 135 | 1000 | 500 | 0.10 | 14.0 | 12.0 | 2900 |
| WMR14D820K | 82(74~90) | 50 | 65 | 135 | 4500 | 2500 | 0.60 | 22.0 | 14.0 | 2400 |
| WMR14D101K | 100(90~110) | 60 | 85 | 165 | 4500 | 2500 | 0.60 | 28.0 | 18.0 | 2000 |
| WMR14D121K | 120(108~132) | 75 | 100 | 200 | 4500 | 2500 | 0.60 | 32.0 | 20.0 | 1700 |
| WMR14D151K | 150(135~165) | 95 | 125 | 250 | 4500 | 2500 | 0.60 | 40.0 | 25.0 | 1300 |
| WMR14D181K | 180(162~198) | 115 | 150 | 300 | 4500 | 2500 | 0.60 | 50.0 | 30.5 | 1100 |
| WMR14D201K | 200(185~225) | 130 | 170 | 340 | 4500 | 2500 | 0.60 | 57.0 | 35 | 1000 |
| WMR14D221K | 220(198~242) | 140 | 180 | 360 | 4500 | 2500 | 0.60 | 60.0 | 40 | 900 |
| WMR14D241K | 240(216~264) | 150 | 200 | 395 | 4500 | 2500 | 0.60 | 63.0 | 40 | 830 |
| WMR14D271K | 270(243~297) | 175 | 225 | 455 | 4500 | 2500 | 0.60 | 70.0 | 50 | 740 |
| WMR14D301K | 300(270~330) | 190 | 250 | 500 | 4500 | 2500 | 0.60 | 77.0 | 52 | 670 |
| WMR14D331K | 330(297~363) | 210 | 275 | 550 | 4500 | 2500 | 0.60 | 85.0 | 64 | 610 |
| WMR14D361K | 360(324~396) | 230 | 300 | 595 | 4500 | 2500 | 0.60 | 93.0 | 65 | 560 |
| WMR14D391K | 390(351~429) | 250 | 320 | 650 | 4500 | 2500 | 0.60 | 100.0 | 70 | 510 |
| WMR14D431K | 430(387~473) | 275 | 350 | 710 | 4500 | 2500 | 0.60 | 115.0 | 75 | 460 |
| WMR14D471K | 470(423~517) | 300 | 385 | 775 | 4500 | 2500 | 0.60 | 125.0 | 80 | 430 |
| WMR14D511K | 510(459~561) | 320 | 415 | 845 | 4500 | 2500 | 0.60 | 125.0 | 80 | 390 |
| WMR14D561K | 560(504~616) | 350 | 460 | 925 | 4500 | 2500 | 0.60 | 125.0 | 85 | 360 |
| WMR14D621K | 620(558~682) | 385 | 505 | 1025 | 4500 | 2500 | 0.60 | 125.0 | 85 | 320 |
| WMR14D681K | 680(612~748) | 420 | 560 | 1120 | 4500 | 2500 | 0.60 | 130.0 | 90 | 290 |
| WMR14D751K | 750(675~825) | 460 | 615 | 1240 | 4500 | 2500 | 0.60 | 143.0 | 100 | 270 |
| WMR14D781K | 780(702~858) | 485 | 640 | 1290 | 4500 | 2500 | 0.60 | 148.0 | 105 | 260 |
| WMR14D821K | 820(738~902) | 510 | 670 | 1355 | 4500 | 2500 | 0.60 | 157.0 | 110 | 240 |
| WMR14D911K | 910(819~1001) | 550 | 745 | 1500 | 4500 | 2500 | 0.60 | 175.0 | 120 | 220 |
| WMR14D102K | 1000(900~1100) | 625 | 825 | 1650 | 4500 | 2500 | 0.60 | 190.0 | 130 | 200 |
| WMR14D112K | 1100(990~1210) | 680 | 895 | 1815 | 4500 | 2500 | 0.60 | 213.0 | 140 | 180 |
| WMR14D182K | 1800(1620~1980) | 1000 | 1465 | 2970 | 4500 | 2500 | 0.60 | 337.0 | 240 | 130 |

• 180L~680K最大抑制電壓為10A電流測試。

9.4外形尺寸(mm)

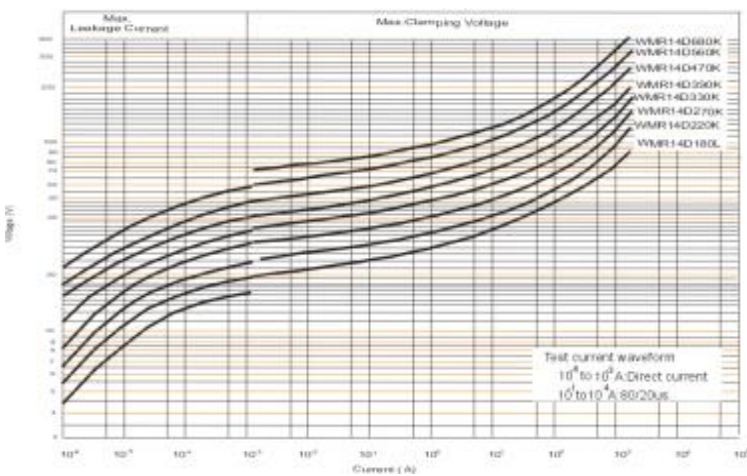
| 品名 | D max | T max | F | H max | a | d |
|------------|-------|-------|---------|-------|----------|-----------|
| WMR14D180L | 16.5 | 4.6 | 7.5±1.0 | 21.5 | 1.5±1.0 | 0.75±0.05 |
| WMR14D220K | 16.5 | 4.7 | 7.5±1.0 | 21.5 | 1.6±1.0 | 0.75±0.05 |
| WMR14D270K | 16.5 | 4.8 | 7.5±1.0 | 21.5 | 1.7±1.0 | 0.75±0.05 |
| WMR14D330K | 16.5 | 5.0 | 7.5±1.0 | 21.5 | 1.8±1.0 | 0.75±0.05 |
| WMR14D390K | 16.5 | 5.3 | 7.5±1.0 | 21.5 | 2.0±1.0 | 0.75±0.05 |
| WMR14D470K | 16.5 | 5.4 | 7.5±1.0 | 21.5 | 2.2±1.0 | 0.75±0.05 |
| WMR14D560K | 16.5 | 5.5 | 7.5±1.0 | 21.5 | 2.5±1.0 | 0.75±0.05 |
| WMR14D680K | 16.5 | 5.6 | 7.5±1.0 | 21.5 | 1.6±1.0 | 0.75±0.05 |
| WMR14D820K | 16.5 | 4.7 | 7.5±1.0 | 21.5 | 1.6±1.0 | 0.75±0.05 |
| WMR14D101K | 16.5 | 4.9 | 7.5±1.0 | 21.5 | 1.7±1.0 | 0.75±0.05 |
| WMR14D121K | 16.5 | 5.1 | 7.5±1.0 | 21.5 | 2.0±1.0 | 0.75±0.05 |
| WMR14D151K | 16.5 | 5.4 | 7.5±1.0 | 21.5 | 1.8±1.0 | 0.75±0.05 |
| WMR14D181K | 16.5 | 5.0 | 7.5±1.0 | 21.5 | 1.8±1.0 | 0.75±0.05 |
| WMR14D201K | 16.5 | 5.0 | 7.5±1.0 | 21.5 | 1.8±1.0 | 0.75±0.05 |
| WMR14D221K | 16.5 | 5.0 | 7.5±1.0 | 21.5 | 2.1±1.0 | 0.75±0.05 |
| WMR14D241K | 16.5 | 5.2 | 7.5±1.0 | 21.5 | 2.1±1.0 | 0.75±0.05 |
| WMR14D301K | 16.5 | 5.5 | 7.5±1.0 | 21.5 | 2.3±1.0 | 0.75±0.05 |
| WMR14D331K | 16.5 | 5.8 | 7.5±1.0 | 21.5 | 2.7±1.0 | 0.75±0.05 |
| WMR14D361K | 16.5 | 6.0 | 7.5±1.0 | 21.5 | 2.8±1.0 | 0.75±0.05 |
| WMR14D391K | 16.5 | 6.2 | 7.5±1.0 | 21.5 | 3.1±1.0 | 0.75±0.05 |
| WMR14D431K | 16.5 | 6.5 | 7.5±1.0 | 21.5 | 3.3±1.0 | 0.75±0.05 |
| WMR14D471K | 16.5 | 6.8 | 7.5±1.0 | 21.5 | 3.7±1.0 | 0.75±0.05 |
| WMR14D561K | 16.5 | 6.8 | 7.5±1.0 | 21.5 | 4.4±1.0 | 0.75±0.05 |
| WMR14D621K | 16.5 | 7.3 | 7.5±1.0 | 21.5 | 4.7±1.0 | 0.75±0.05 |
| WMR14D681K | 16.5 | 7.6 | 7.5±1.0 | 21.5 | 5.0±1.0 | 0.75±0.05 |
| WMR14D751K | 16.5 | 8.0 | 7.5±1.0 | 21.5 | 5.0±1.0 | 0.75±0.05 |
| WMR14D781K | 16.5 | 8.1 | 7.5±1.0 | 21.5 | 5.2±1.0 | 0.75±0.05 |
| WMR14D821K | 16.5 | 8.3 | 7.5±1.0 | 21.5 | 5.2±1.0 | 0.75±0.05 |
| WMR14D911K | 16.5 | 8.8 | 7.5±1.0 | 21.5 | 6.0±1.0 | 0.75±0.05 |
| WMR14D102K | 16.5 | 9.3 | 7.5±1.0 | 21.5 | 6.2±1.0 | 0.75±0.05 |
| WMR14D112K | 16.5 | 9.9 | 7.5±1.0 | 21.5 | 6.8±1.0 | 0.75±0.05 |
| WMR14D182K | 16.5 | 14.4 | 7.5±1.0 | 22.5 | 10.5±2.0 | 0.75±0.05 |



9.5特性曲線圖

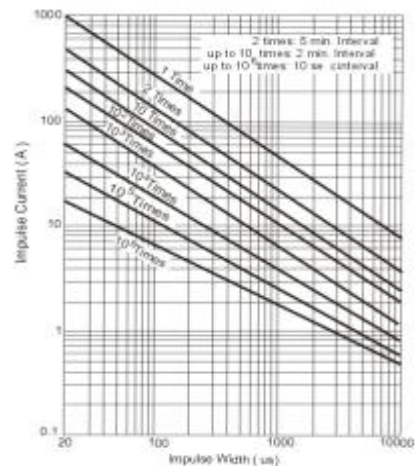
9.5.1電壓-電流圖

(WMR14D180L to WMR14D680K)

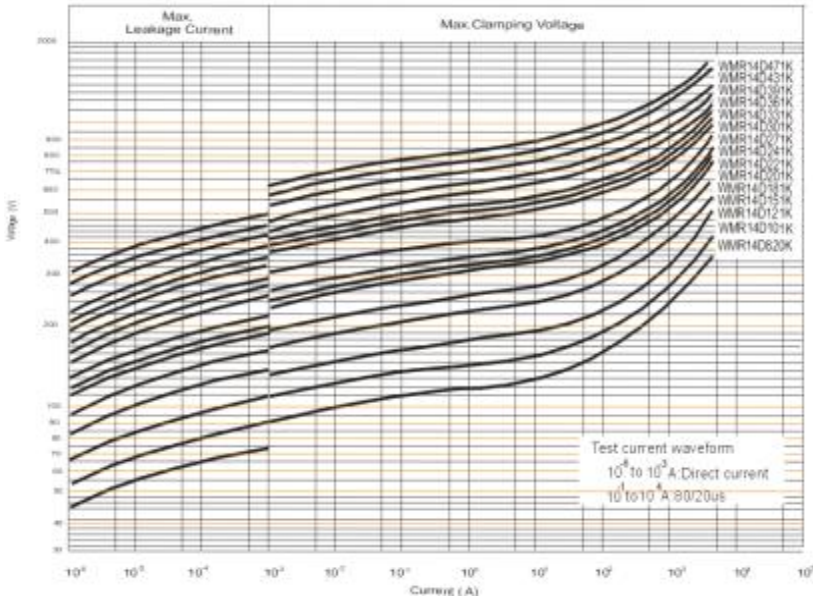


9.5.2脈衝壽命圖

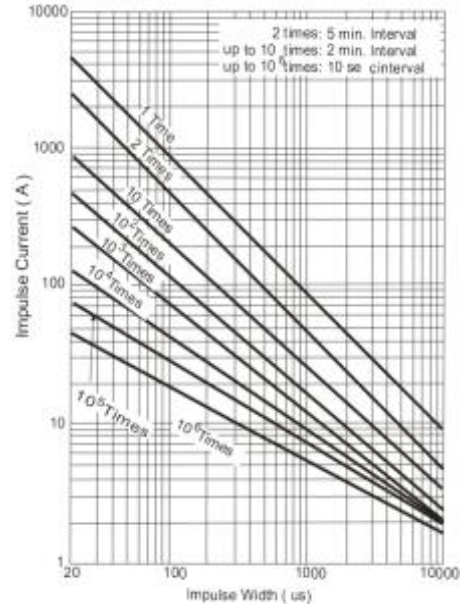
(WMR14D180L to WMR14D680K)



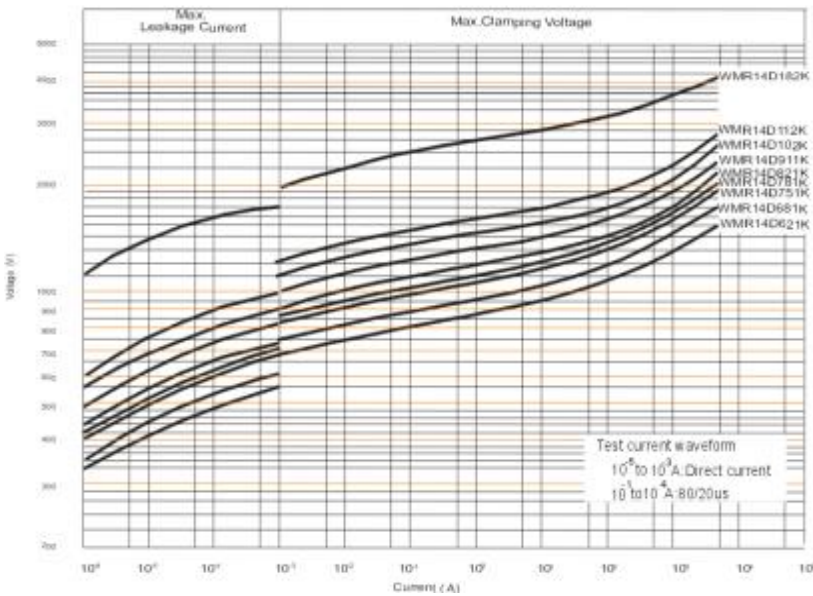
(WMR14D820K to WMR14D471K)



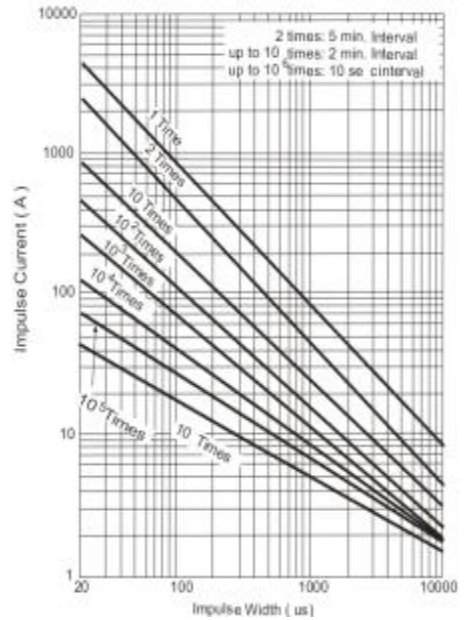
(WMR14D820K to WMR14D471K)



(WMR14D511K to WMR14D182K)



(WMR14D511K to WMR14D182K)



10. 特性參數 (20D系列)

10.1 工作溫度範圍:-40~85°C

10.2 儲存溫度範圍:-40~125°C

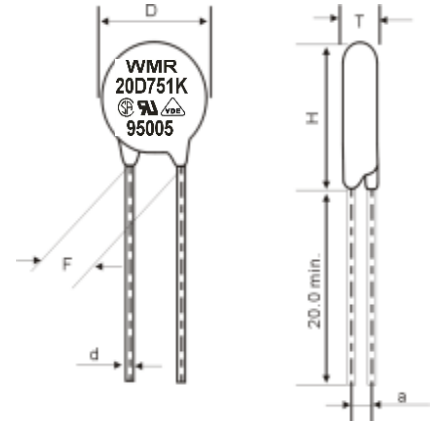
10.3 電性能參數

| 品名 | 壓敏電壓 | 最大工作電壓 | | 最大限制電壓 | 最大峰值電流(8/20us) | | 額定功率 | 能量耐量 | | 電容量 |
|------------|------------------------|------------|--------|-----------------------|----------------|-------------|------|------------|------|-----------|
| | V _{1.0mA} (V) | AC rms (V) | DC (V) | V _{100A} (V) | 1 time (A) | 2 times (A) | (W) | 10/1000 us | 2ms | @1KHZ(pF) |
| WMR20D180L | 18(16~21) | 11 | 14 | • 36 | 2000 | 1000 | 0.20 | 11.0 | 10.0 | 28500 |
| WMR20D220K | 22(20~24) | 14 | 18 | • 43 | 2000 | 1000 | 0.20 | 14.0 | 13.0 | 18500 |
| WMR20D270K | 27(24~30) | 17 | 22 | • 53 | 2000 | 1000 | 0.20 | 18.0 | 15.0 | 13000 |
| WMR20D330K | 33(30~36) | 20 | 26 | • 65 | 2000 | 1000 | 0.20 | 23.0 | 20.0 | 11500 |
| WMR20D390K | 39(35~43) | 25 | 31 | • 77 | 2000 | 1000 | 0.20 | 26.0 | 24.0 | 8500 |
| WMR20D470K | 47(42~52) | 30 | 38 | • 93 | 2000 | 1000 | 0.20 | 33.0 | 30.0 | 7400 |
| WMR20D560K | 56(50~62) | 35 | 45 | • 110 | 2000 | 1000 | 0.20 | 41.0 | 35.0 | 6500 |
| WMR20D680K | 68(61~75) | 40 | 56 | • 135 | 2000 | 1000 | 0.20 | 46.0 | 40.0 | 5800 |
| WMR20D820K | 82(74~90) | 50 | 65 | 135 | 6500 | 4500 | 1.00 | 38.0 | 27.0 | 4900 |
| WMR20D101K | 100(90~110) | 60 | 85 | 165 | 6500 | 4500 | 1.00 | 45.0 | 30.0 | 4000 |
| WMR20D121K | 120(108~132) | 75 | 100 | 200 | 6500 | 4500 | 1.00 | 55.0 | 40.0 | 3300 |
| WMR20D151K | 150(135~165) | 95 | 125 | 250 | 6500 | 4500 | 1.00 | 70.0 | 50.0 | 2700 |
| WMR20D201K | 200(185~225) | 130 | 170 | 340 | 6500 | 4500 | 1.00 | 95.0 | 70 | 2000 |
| WMR20D221K | 220(198~242) | 140 | 180 | 360 | 6500 | 4500 | 1.00 | 100.0 | 75 | 1800 |
| WMR20D241K | 240(216~264) | 150 | 200 | 395 | 6500 | 4500 | 1.00 | 108.0 | 80 | 1650 |
| WMR20D271K | 270(243~297) | 175 | 225 | 455 | 6500 | 4500 | 1.00 | 127.0 | 90 | 1500 |
| WMR20D301K | 300(270~330) | 190 | 250 | 500 | 6500 | 4500 | 1.00 | 136.0 | 100 | 1300 |
| WMR20D331K | 330(297~363) | 210 | 275 | 550 | 6500 | 4500 | 1.00 | 150.0 | 110 | 1200 |
| WMR20D391K | 390(351~429) | 250 | 320 | 650 | 6500 | 4500 | 1.00 | 180.0 | 130 | 1000 |
| WMR20D431K | 430(387~473) | 275 | 350 | 710 | 6500 | 4500 | 1.00 | 190.0 | 140 | 930 |
| WMR20D471K | 470(423~517) | 300 | 385 | 775 | 6500 | 4500 | 1.00 | 220.0 | 150 | 850 |
| WMR20D511K | 510(459~561) | 320 | 415 | 845 | 6500 | 4500 | 1.00 | 220.0 | 150 | 780 |
| WMR20D561K | 560(504~616) | 350 | 460 | 925 | 6500 | 4500 | 1.00 | 220.0 | 150 | 710 |
| WMR20D621K | 620(558~682) | 385 | 505 | 1025 | 6500 | 4500 | 1.00 | 220.0 | 150 | 650 |
| WMR20D681K | 680(612~748) | 420 | 560 | 1120 | 6500 | 4500 | 1.00 | 230.0 | 160 | 600 |
| WMR20D751K | 750(675~825) | 460 | 615 | 1240 | 6500 | 4500 | 1.00 | 255.0 | 175 | 530 |
| WMR20D781K | 780(702~858) | 485 | 640 | 1290 | 6500 | 4500 | 1.00 | 265.0 | 180 | 510 |
| WMR20D821K | 820(738~902) | 510 | 670 | 1355 | 6500 | 4500 | 1.00 | 282.0 | 190 | 500 |
| WMR20D911K | 910(819~1001) | 550 | 745 | 1500 | 6500 | 4500 | 1.00 | 310.0 | 215 | 440 |
| WMR20D102K | 1000(900~1100) | 625 | 825 | 1650 | 6500 | 4500 | 1.00 | 342.0 | 230 | 400 |
| WMR20D112K | 1100(990~1210) | 680 | 895 | 1815 | 6500 | 4500 | 1.00 | 383.0 | 250 | 360 |
| WMR20D182K | 1800(1620~1980) | 1000 | 1465 | 2970 | 6500 | 4500 | 1.00 | 625.0 | 400 | 260 |

• 180L~680K最大抑制電壓為20A電流測試。

10.4外形尺寸(mm)

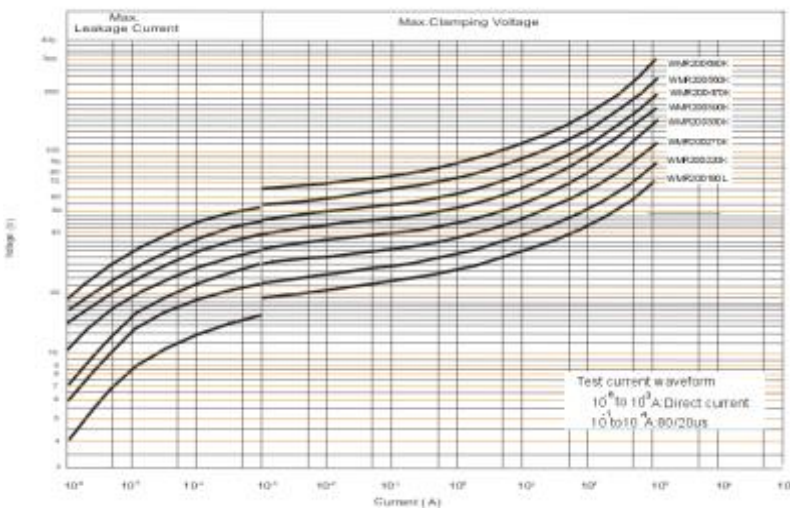
| 品名 | D max | T max | F | H max | a | d |
|------------|-------|-------|--------|-------|----------|----------|
| WMR20D180L | 23.0 | 4.8 | 10±1.0 | 28.0 | 1.5±1.0 | 1.0±0.05 |
| WMR20D220K | 23.0 | 4.9 | 10±1.0 | 28.0 | 1.6±1.0 | 1.0±0.05 |
| WMR20D270K | 23.0 | 5 | 10±1.0 | 28.0 | 1.7±1.0 | 1.0±0.05 |
| WMR20D330K | 23.0 | 5.2 | 10±1.0 | 28.0 | 1.8±1.0 | 1.0±0.05 |
| WMR20D390K | 23.0 | 5.5 | 10±1.0 | 28.0 | 2.0±1.0 | 1.0±0.05 |
| WMR20D470K | 23.0 | 5.6 | 10±1.0 | 28.0 | 2.2±1.0 | 1.0±0.05 |
| WMR20D560K | 23.0 | 5.7 | 10±1.0 | 28.0 | 2.5±1.0 | 1.0±0.05 |
| WMR20D680K | 23.0 | 5.8 | 10±1.0 | 28.0 | 1.6±1.0 | 1.0±0.05 |
| WMR20D820K | 23.0 | 4.9 | 10±1.0 | 28.0 | 1.6±1.0 | 1.0±0.05 |
| WMR20D101K | 23.0 | 5.1 | 10±1.0 | 28.0 | 1.7±1.0 | 1.0±0.05 |
| WMR20D121K | 23.0 | 5.3 | 10±1.0 | 28.0 | 2.0±1.0 | 1.0±0.05 |
| WMR20D151K | 23.0 | 5.6 | 10±1.0 | 28.0 | 1.8±1.0 | 1.0±0.05 |
| WMR20D181K | 23.0 | 5.2 | 10±1.0 | 28.0 | 1.8±1.0 | 1.0±0.05 |
| WMR20D201K | 23.0 | 5.2 | 10±1.0 | 28.0 | 1.8±1.0 | 1.0±0.05 |
| WMR20D221K | 23.0 | 5.3 | 10±1.0 | 28.0 | 2.1±1.0 | 1.0±0.05 |
| WMR20D241K | 23.0 | 5.4 | 10±1.0 | 28.0 | 2.1±1.0 | 1.0±0.05 |
| WMR20D301K | 23.0 | 5.7 | 10±1.0 | 28.0 | 2.3±1.0 | 1.0±0.05 |
| WMR20D331K | 23.0 | 6.0 | 10±1.0 | 28.0 | 2.7±1.0 | 1.0±0.05 |
| WMR20D361K | 23.0 | 6.2 | 10±1.0 | 28.0 | 2.8±1.0 | 1.0±0.05 |
| WMR20D391K | 23.0 | 6.4 | 10±1.0 | 28.0 | 3.1±1.0 | 1.0±0.05 |
| WMR20D431K | 23.0 | 6.7 | 10±1.0 | 28.0 | 3.3±1.0 | 1.0±0.05 |
| WMR20D471K | 23.0 | 7.0 | 10±1.0 | 28.0 | 3.7±1.0 | 1.0±0.05 |
| WMR20D561K | 23.0 | 7.0 | 10±1.0 | 28.0 | 4.4±1.0 | 1.0±0.05 |
| WMR20D621K | 23.0 | 7.5 | 10±1.0 | 28.0 | 4.7±1.0 | 1.0±0.05 |
| WMR20D681K | 23.0 | 7.8 | 10±1.0 | 28.0 | 5.0±1.0 | 1.0±0.05 |
| WMR20D751K | 23.0 | 8.2 | 10±1.0 | 28.0 | 5.0±1.0 | 1.0±0.05 |
| WMR20D781K | 23.0 | 8.3 | 10±1.0 | 28.0 | 5.2±1.0 | 1.0±0.05 |
| WMR20D821K | 23.0 | 8.5 | 10±1.0 | 28.0 | 5.2±1.0 | 1.0±0.05 |
| WMR20D911K | 23.0 | 9.0 | 10±1.0 | 28.0 | 6.0±1.0 | 1.0±0.05 |
| WMR20D102K | 23.0 | 9.5 | 10±1.0 | 28.0 | 6.4±1.0 | 1.0±0.05 |
| WMR20D112K | 23.0 | 10.3 | 10±1.0 | 28.0 | 7.0±1.0 | 1.0±0.05 |
| WMR20D182K | 23.0 | 14.4 | 10±1.0 | 28.0 | 10.7±2.0 | 1.0±0.05 |



10.5特性曲線圖

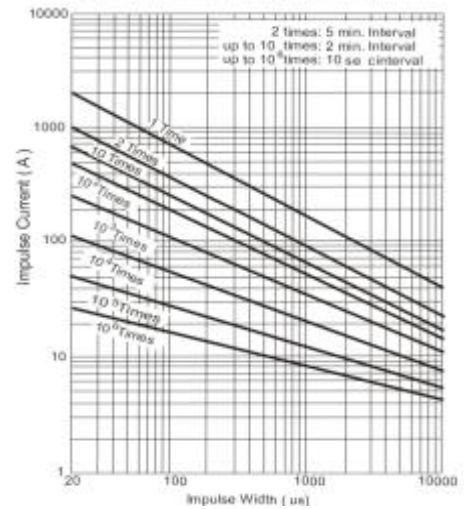
10.5.1電壓-電流圖

(WMR20D180L to WMR20D680K)

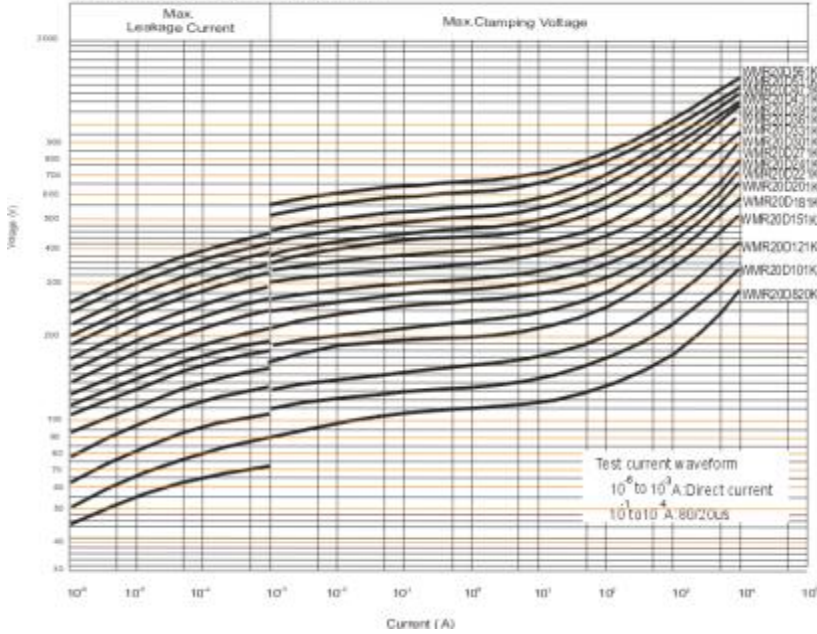


10.5.2脈衝壽命圖

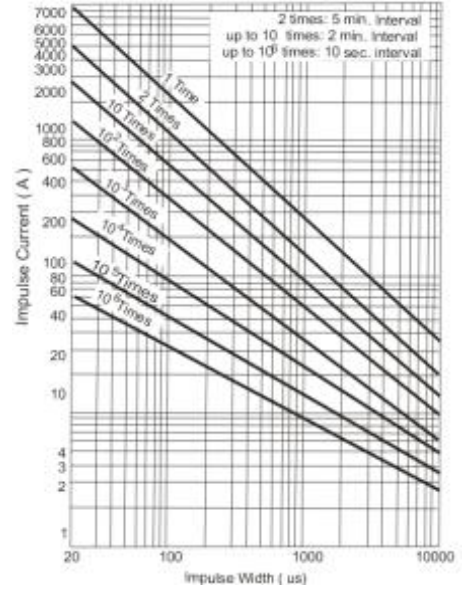
(WMR20D180L to WMR20D680K)



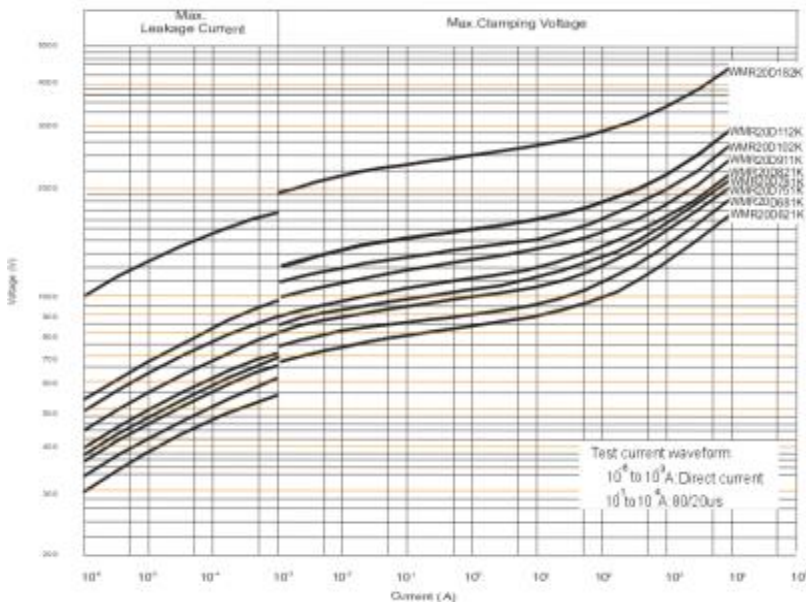
(WMR20D820K to WMR20D471K)



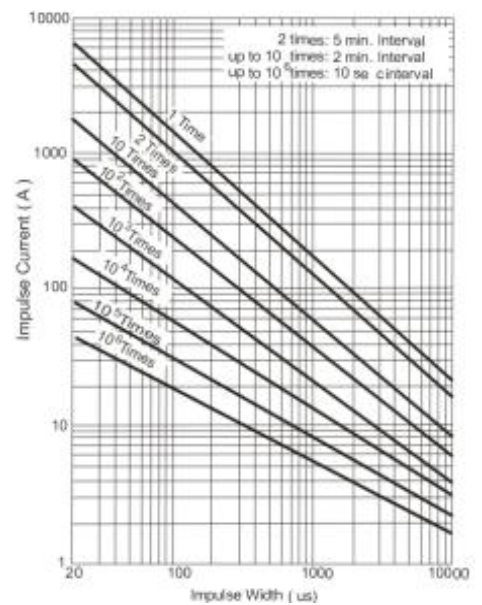
(WMR20D820K to WMR20D471K)



(WMR20D511 to WMR20D182K)



(WMR20D511 to WMR20D182K)



11. 特性參數(25D系列)

11.1工作溫度範圍:-40~85℃

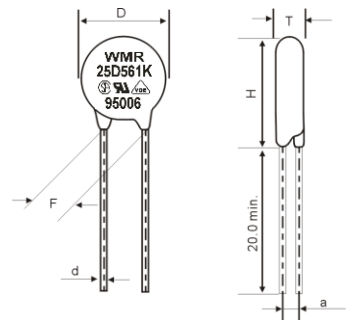
11.2儲存溫度範圍:-40~125℃

11.3電性能參數

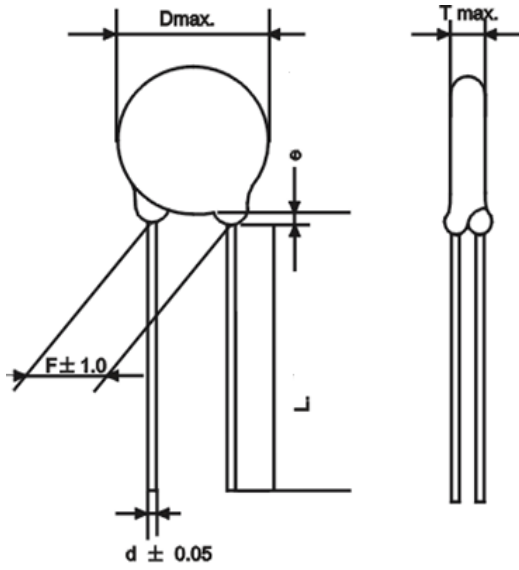
| 品名 | 壓敏電壓 | 最大工作電壓 | | 最大限制電壓 | 最大峰值電流(8/20us) | | 額定功率 | 能量耐能 | | 電容量 |
|------------|------------------------|------------|--------|-----------------------|----------------|-------------|------|------------|-----|-----------|
| | V _{1.0mA} (V) | AC rms (V) | DC (V) | V _{150A} (V) | 1 time (A) | 2 times (A) | (W) | 10/1000 us | 2ms | @1KHZ(pF) |
| WMR25D201K | 200(185~225) | 130 | 170 | 340 | 15000 | 10000 | 1.00 | 190.0 | 140 | 3200 |
| WMR25D221K | 220(198~242) | 140 | 180 | 360 | 15000 | 10000 | 1.00 | 200.0 | 150 | 2900 |
| WMR25D241K | 240(216~264) | 150 | 200 | 395 | 15000 | 10000 | 1.00 | 220.0 | 160 | 2650 |
| WMR25D271K | 270(243~297) | 175 | 225 | 455 | 15000 | 10000 | 1.00 | 255.0 | 180 | 2400 |
| WMR25D301K | 300(270~330) | 190 | 250 | 500 | 15000 | 10000 | 1.00 | 275.0 | 200 | 2100 |
| WMR25D331K | 330(297~363) | 210 | 275 | 550 | 15000 | 10000 | 1.00 | 300.0 | 220 | 1900 |
| WMR25D361K | 360(324~396) | 230 | 300 | 595 | 15000 | 10000 | 1.00 | 330.0 | 240 | 1750 |
| WMR25D391K | 390(351~429) | 250 | 320 | 650 | 15000 | 10000 | 1.00 | 360.0 | 260 | 1600 |
| WMR25D431K | 430(387~473) | 275 | 350 | 710 | 15000 | 10000 | 1.00 | 380.0 | 280 | 1500 |
| WMR25D471K | 470(423~517) | 300 | 385 | 775 | 15000 | 10000 | 1.00 | 440.0 | 300 | 1400 |
| WMR25D511K | 510(459~561) | 320 | 415 | 845 | 15000 | 10000 | 1.00 | 440.0 | 300 | 1250 |
| WMR25D561K | 560(504~616) | 350 | 460 | 925 | 15000 | 10000 | 1.00 | 440.0 | 300 | 1150 |
| WMR25D681K | 680(612~748) | 420 | 560 | 1120 | 15000 | 10000 | 1.00 | 460.0 | 320 | 950 |
| WMR25D751K | 750(675~825) | 460 | 615 | 1240 | 15000 | 10000 | 1.00 | 510.0 | 350 | 850 |
| WMR25D781K | 780(702~858) | 485 | 640 | 1290 | 15000 | 10000 | 1.00 | 530.0 | 360 | 850 |
| WMR25D821K | 820(738~902) | 510 | 670 | 1355 | 15000 | 10000 | 1.00 | 570.0 | 380 | 800 |
| WMR25D911K | 910(819~1001) | 550 | 745 | 1500 | 15000 | 10000 | 1.00 | 620.0 | 430 | 700 |
| WMR25D102K | 1000(900~1100) | 625 | 825 | 1650 | 15000 | 10000 | 1.00 | 685.0 | 460 | 650 |

11.4外形尺寸(mm)

| 品名 | D max | T max | F | H max | a | d |
|------------|-------|-------|----------|-------|---------|----------|
| WMR25D201K | 30.0 | 5.4 | 10.0±1.0 | 33.0 | 1.9±1.0 | 1.0±0.05 |
| WMR25D221K | 30.0 | 5.5 | 10.0±1.0 | 33.0 | 2.2±1.0 | 1.0±0.05 |
| WMR25D241K | 30.0 | 5.6 | 10.0±1.0 | 33.0 | 2.2±1.0 | 1.0±0.05 |
| WMR25D271K | 30.0 | 5.8 | 10.0±1.0 | 33.0 | 2.4±1.0 | 1.0±0.05 |
| WMR25D301K | 30.0 | 5.9 | 10.0±1.0 | 33.0 | 2.4±1.0 | 1.0±0.05 |
| WMR25D331K | 30.0 | 6.1 | 10.0±1.0 | 33.0 | 2.7±1.0 | 1.0±0.05 |
| WMR25D361K | 30.0 | 6.4 | 10.0±1.0 | 33.0 | 2.9±1.0 | 1.0±0.05 |
| WMR25D391K | 30.0 | 6.6 | 10.0±1.0 | 33.0 | 3.2±1.0 | 1.0±0.05 |
| WMR25D431K | 30.0 | 9.9 | 10.0±1.0 | 33.0 | 3.4±1.0 | 1.0±0.05 |
| WMR25D471K | 30.0 | 7.2 | 10.0±1.0 | 33.0 | 3.9±1.0 | 1.0±0.05 |
| WMR25D511K | 30.0 | 7.2 | 10.0±1.0 | 33.0 | 4.0±1.0 | 1.0±0.05 |
| WMR25D561K | 30.0 | 7.2 | 10.0±1.0 | 33.0 | 4.4±1.0 | 1.0±0.05 |
| WMR25D621K | 30.0 | 7.7 | 10.0±1.0 | 33.0 | 4.9±1.0 | 1.0±0.05 |
| WMR25D681K | 30.0 | 8 | 10.0±1.0 | 33.0 | 5.2±1.0 | 1.0±0.05 |
| WMR25D751K | 30.0 | 8.4 | 10.0±1.0 | 33.0 | 5.2±1.0 | 1.0±0.05 |
| WMR25D781K | 30.0 | 8.5 | 10.0±1.0 | 33.0 | 5.3±1.0 | 1.0±0.05 |
| WMR25D821K | 30.0 | 8.7 | 10.0±1.0 | 33.0 | 5.6±1.0 | 1.0±0.05 |
| WMR25D911K | 30.0 | 9.2 | 10.0±1.0 | 33.0 | 6.2±1.0 | 1.0±0.05 |
| WMR25D102K | 30.0 | 9.7 | 10.0±1.0 | 33.0 | 6.8±1.0 | 1.0±0.05 |
| WMR25D112K | 30.0 | 10.3 | 10.0±1.0 | 33.0 | 7.9±1.0 | 1.0±0.05 |

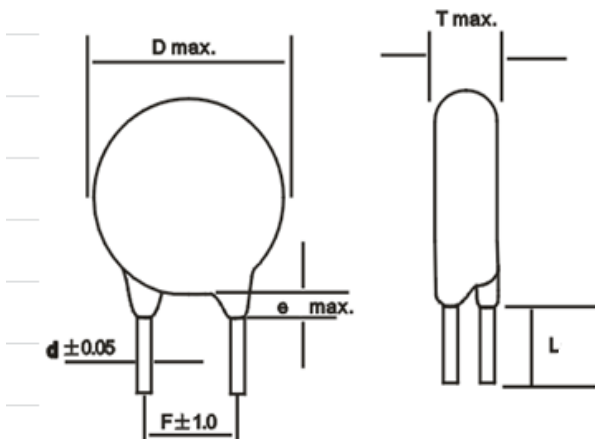


12. 腳形尺寸



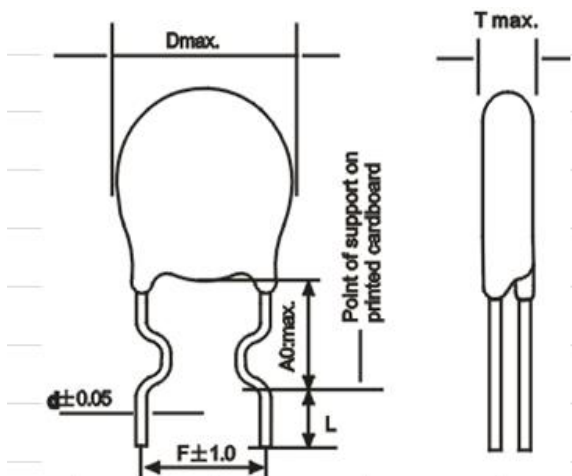
| | | | |
|--------|---------------|-----|----|
| 代碼 | A2 | A3 | A4 |
| F (mm) | 5 | 7.5 | 10 |
| L (mm) | 15 min | | |
| d (mm) | 0.55/0.75/1.0 | | |
| e (mm) | 3.0 max | | |

12.2 直腳短導線型(引腳代碼:B)



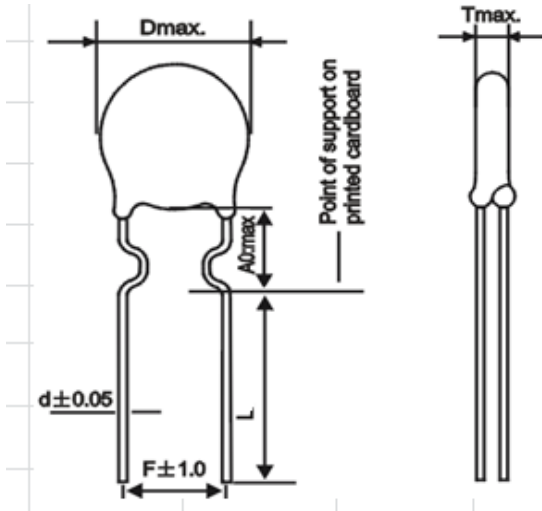
| | | | |
|--------|---------------|-----|----|
| 代碼 | B2 | B3 | B4 |
| F (mm) | 5 | 7.5 | 10 |
| L (mm) | 5 ± 1 | | |
| d (mm) | 0.55/0.75/1.0 | | |
| e (mm) | 3.0 max | | |

12.3 內彎短導線型(引腳代碼:C)



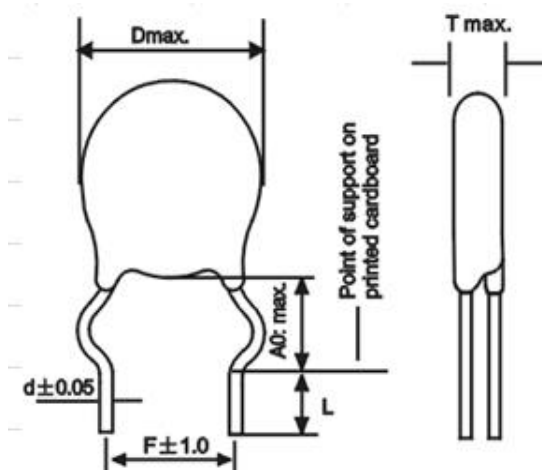
| | | | |
|--------|---------------|-----|----|
| 代碼 | C2 | C3 | C4 |
| F (mm) | 5 | 7.5 | 10 |
| L (mm) | 5 ± 1 | | |
| d (mm) | 0.55/0.75/1.0 | | |

12.4 內彎長導線型(引腳代碼:D)



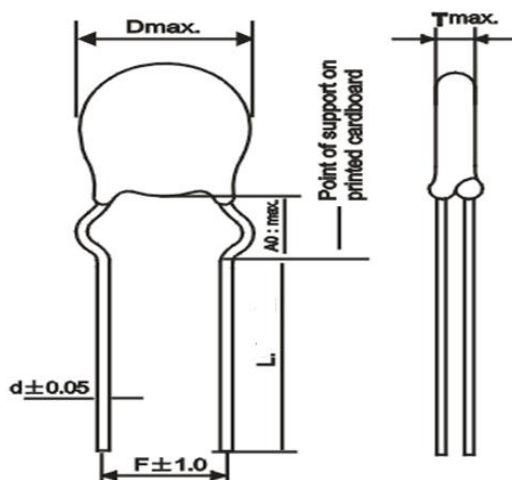
| | | | |
|---------|---------------|-----|----|
| 代碼 | D2 | D3 | D4 |
| F (mm) | 5 | 7.5 | 10 |
| A0 (mm) | 5 | 5 | 5 |
| L (mm) | 15 min | | |
| d (mm) | 0.55/0.75/1.0 | | |

12.5 外彎短導線型(引腳代碼:E)



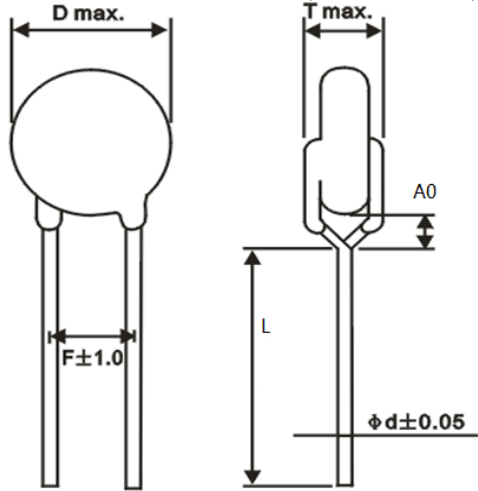
| | | | |
|---------|---------------|-----|----|
| 代碼 | E2 | E3 | E4 |
| F (mm) | 5 | 7.5 | 10 |
| A0 (mm) | 5 | 5 | 5 |
| L (mm) | 5 ± 1 | | |
| d (mm) | 0.55/0.75/1.0 | | |

12.6 外彎長導線型(引腳代碼:F)



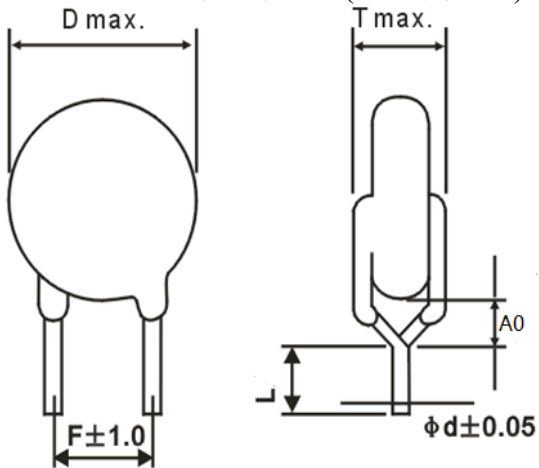
| | | | |
|---------|----|-----|----|
| 代碼 | F2 | F3 | F4 |
| F (mm) | 5 | 7.5 | 10 |
| A0 (mm) | 5 | 5 | 5 |
| d (mm) | | | |

12.7側彎長導線型(引腳代碼:G)



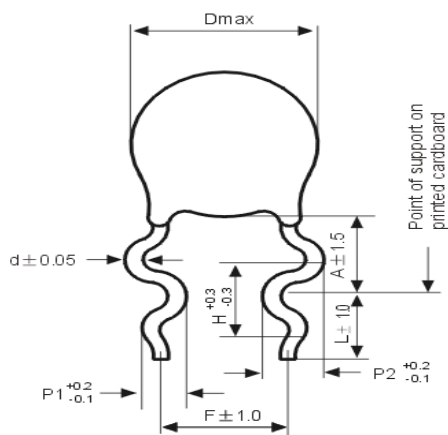
| | | | |
|---------|---------------|-----|----|
| 代碼 | G2 | G3 | G4 |
| F (mm) | 5 | 7.5 | 10 |
| L (mm) | 15 min | | |
| d (mm) | 0.55/0.75/1.0 | | |
| A0 (mm) | 5.0 max | | |

12.8側彎短導線型(引腳代碼:H)



| | | | |
|---------|---------------|-----|----|
| 代碼 | H2 | H3 | H4 |
| F (mm) | 5 | 7.5 | 10 |
| L (mm) | 5 ± 1 | | |
| d (mm) | 0.55/0.75/1.0 | | |
| A0 (mm) | 5.0 max | | |

12.9雙彎短導線型(引腳代碼:M)



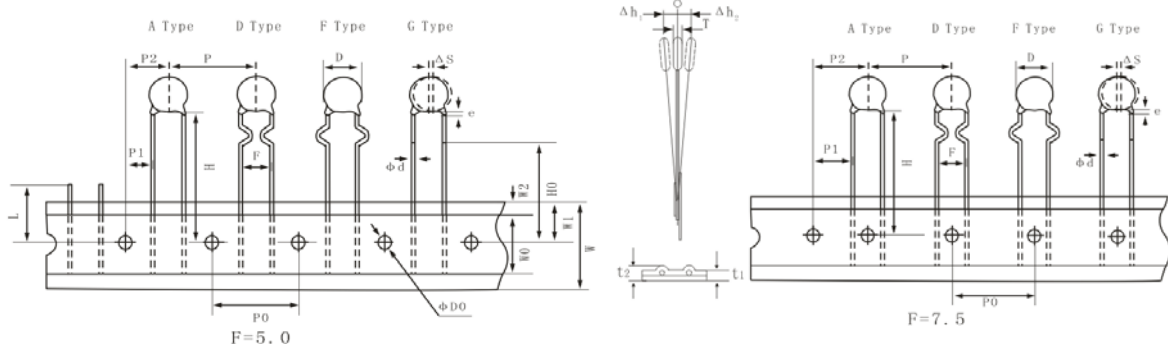
| | | | |
|---------|--------------------------------------|------|------|
| 代碼 | M2 | M3 | M4 |
| F (mm) | 5 | 7.5 | 10 |
| H (mm) | 2.6 | 2.6 | 3.3 |
| P1 (mm) | 1.25 | 1.25 | 1.65 |
| A0 (mm) | D < 8: 6.0 ± 1.5 D > 8: 7.0 ± 1.5 | | |
| L (mm) | 3~30 | | |
| d (mm) | 0.55 or 0.75 | | |

13.0 編帶尺寸

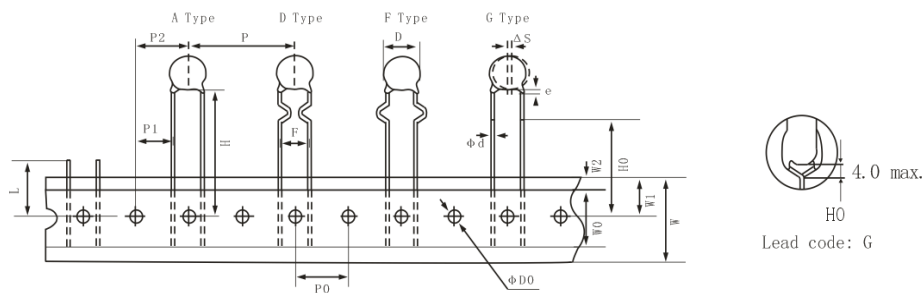
NO:WM-TEAS-011

13.1 編帶尺寸：12.7孔距

- 脚距 5.0/7.5 mm/瓷片片径 < 10mm (脚型代码: A2,A3,D2,D3,F2,F3,G2,G3)



- 脚距为 7.5/10.0mm/瓷片片径 ≥ 10mm (脚型代码:A3,A4,D3,D4,F3,F4,G3,G4)

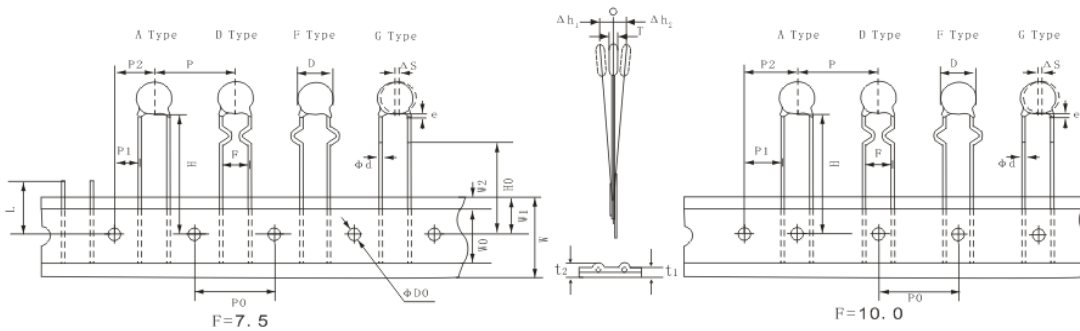


| 項目 | 記號 | A2/D2/F2/G2 | A3/D3/F3/G3 | A3/D3/F3/G3 | A4/D4/F4/G4 |
|--------------|-----------------|-----------------------|-------------|-------------|-------------|
| 製品間距 | P | 12.7 | 12.7 | 25.4 | 25.4 |
| 導線間距 | F | 5.0±1.0 | 7.5±1.0 | 7.5±1.0 | 10.0±1.0 |
| 驅動穴位置偏移 | P ₁ | 3.85±0.7 | 2.6±0.7 | 8.95±1.0 | 7.7±1.0 |
| | P ₂ | 6.35±1.3 | 6.35±1.3 | 12.7±1.3 | 12.7±1.3 |
| 製品直徑 | D | 參見NO.6 | | | |
| 製品偏移 | ΔS | 0±2.0 | | | |
| 紙帶寬度 | W | 18.0±0.5 | | | |
| 製品低部到驅動穴中心 | H | 20±2(直脚品) | | | |
| 折彎處到驅動穴中心 | H0 | 18±2(彎脚品) | | | |
| 驅動穴直徑 | ΦD ₀ | 4.0±0.2 | | | |
| 導線直徑 | Φd | 0.55/0.75/1.00±0.05 | | | |
| 紙帶, 膠帶厚度 | t ₁ | 0.6±0.3 | | | |
| 紙帶, 膠帶, 導線厚度 | t ₂ | 2.0 max | | | |
| 製品厚度 | T | 參見NO.6 | | | |
| 产品移除后引线长度 | L | 11.0 max | | | |
| 膠帶寬度 | W ₀ | 10.0±2 | | | |
| 粘膠帶位置誤差 | W ₂ | 1.5±1.5 | | | |
| 塗裝腳長 | e | 3.0 max (彎脚品: 不超过弯脚处) | | | |
| 製品傾斜 | Δh ₁ | 2.0 max | | | |
| | Δh ₂ | | | | |

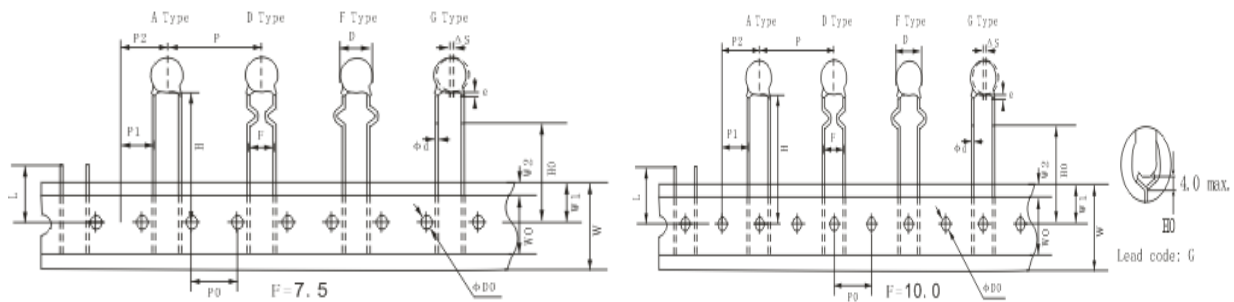
13.2 編帶尺寸：15.0 孔距

NO:WM-TEAS-011

- 腳距 5.0/7.5 mm/瓷片片徑 < 13mm (腳型代碼: A2,A3,D2,D3,F2,F3,G2,G3)



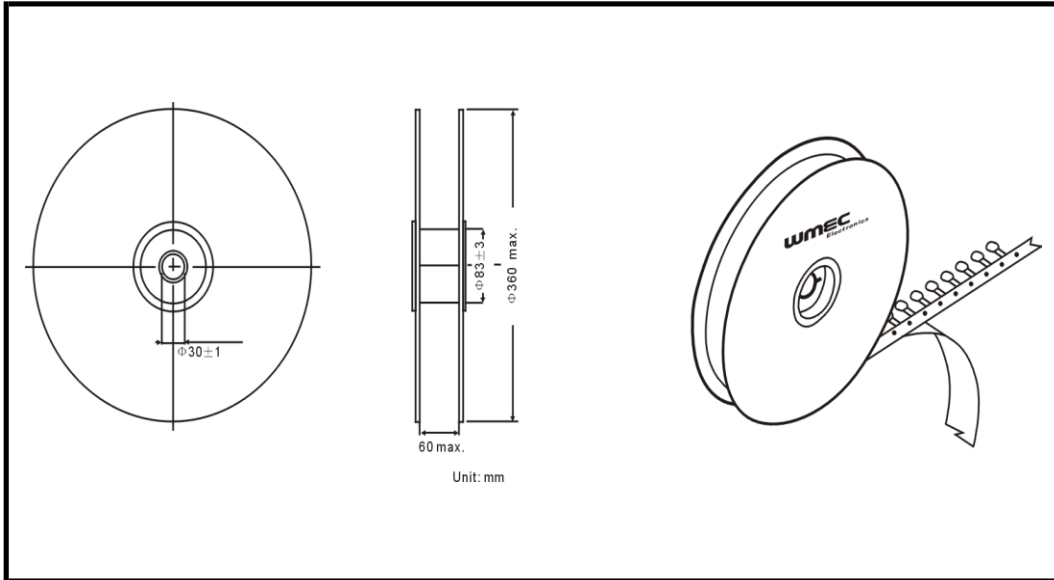
- 腳距為 7.5/10.0mm/瓷片片徑 ≥ 13mm (腳型代碼:A3,A4,D3,D4,F3,F4,G3,G4)



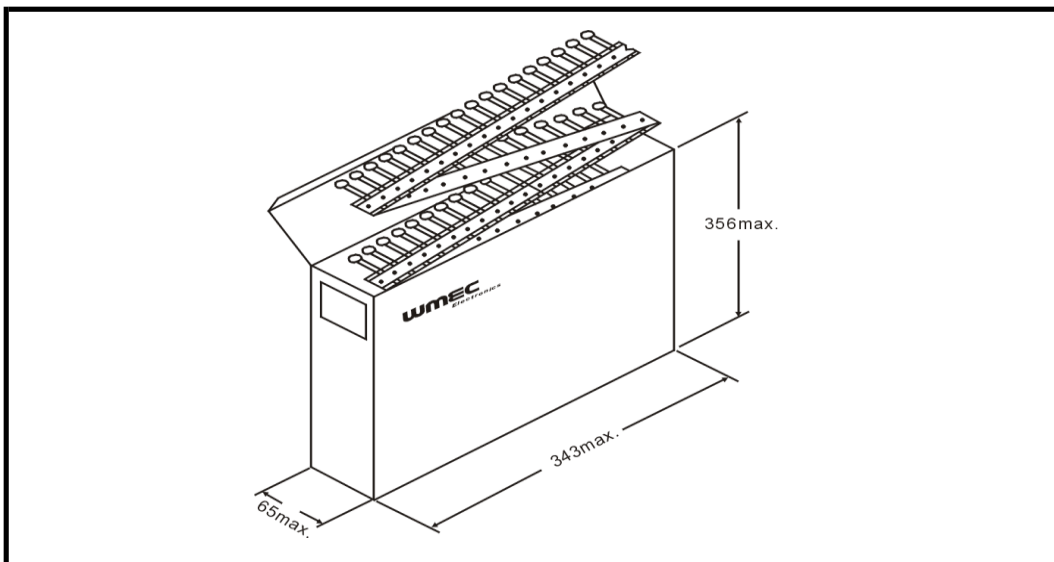
| 項目 | 記號 | A2/D2/F2/G2 | A3/D3/F3/G3 | A3/D3/F3/G3 | A4/D4/F4/G4 |
|--------------|-----------------|-----------------------|-------------|-------------|-------------|
| 製品間距 | P | 15 | 15 | 30 | 30 |
| 驅動孔間距 | P ₀ | 15±0.3 | 15±0.3 | 15±0.3 | 15±0.3 |
| 驅動穴位置偏移 | P ₁ | 5.0±0.7 | 3.75±0.7 | 11.25±1.0 | 10.0±1.0 |
| | P ₂ | 7.5±1.3 | 7.5±1.3 | 15.0±1.3 | 15.0±1.3 |
| 製品直徑 | D | 參見NO.6 | | | |
| 製品偏移 | △S | 0±2.0 | | | |
| 紙帶寬度 | W | 18.0±0.5 | | | |
| 孔洞位置 | W ₁ | 9.0±0.5 | | | |
| 製品低部到驅動穴中心 | H | 20±2(直腳品) | | | |
| 折彎處到驅動穴中心 | H ₀ | 18±2 (彎腳品) | | | |
| 驅動穴直徑 | ΦD ₀ | 4.0±0.2 | | | |
| 導線直徑 | Φd | 0.55/0.75±0.05 | | | |
| 紙帶, 膠帶厚度 | t ₁ | 0.6±0.3 | | | |
| 紙帶, 膠帶, 導線厚度 | t ₂ | 2.0 max | | | |
| 製品厚度 | T | 參見NO.6 | | | |
| 產品移除后引線長度 | L | 11.0 max | | | |
| 膠帶寬度 | W ₀ | 10.0±2 | | | |
| 粘膠帶位置誤差 | W ₂ | 1.5±1.5 | | | |
| 塗裝腳長 | e | 3.0 max (彎腳品: 不超過彎腳處) | | | |
| 製品傾斜 | △h ₁ | 2.0 max | | | |
| | △h ₂ | | | | |

14. 包裝, 數量及標籤

14.1 卷軸編帶品



14.2 折疊編帶品



14.3 包裝數量

單位:pcs

| 系列 | 05D | | 07D | | 10D | | 14D | | 20D | |
|-----------|------|------|------|------|-----|------|-----|-----|-----|----|
| | 散裝 | 編帶 | 散裝 | 編帶 | 散裝 | 編帶 | 散裝 | 編帶 | 散裝 | 編帶 |
| 180L~221K | 1000 | 2000 | 1000 | 2000 | 500 | 1000 | 250 | 500 | 250 | — |
| 241K~471K | 1000 | 2000 | 1000 | 1000 | 500 | 1000 | 250 | 500 | 250 | — |
| 511K~751K | 1000 | 2000 | 1000 | 1000 | 500 | 1000 | 250 | 500 | 100 | — |
| 781K~182K | — | — | — | — | 500 | 1000 | 250 | 500 | 100 | — |

14.4 包裝標籤範例

管理代碼 ← Item No: 2363051029

品名料號 ← Part No: WMR10D431KG3BW-A001

批號 ← Lot No: YM1512J10D-587-A

C P/N: 1BC6D152D202M-5T

Qty: 500PCS

S/N: 001

Spe: 10D-430V±10%

環保標誌 ← Green Product

安規MARK →

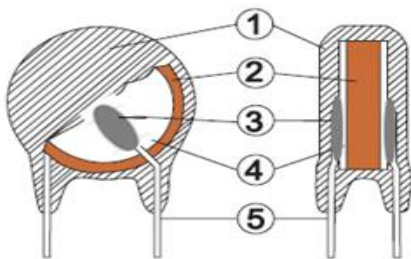
商標 →

MADE IN CHINA

WAMEC Electronics

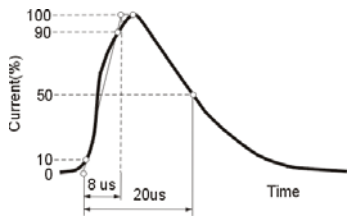
WANMING ELECTRONICS CO., LTD.

14.5 產品構成物質組成



| 標記 | 部件名稱 | 物質成分 |
|----|------|------------|
| ① | 包封層 | 環氧樹脂 |
| ② | 瓷體 | ZnO MnO/其它 |
| ③ | 焊錫 | 錫/銅/銀 |
| ④ | 電極 | 銀或銅 |
| ⑤ | 導線 | 鐵/銅/錫 |

15.規格性能

| 項目 | | 試驗方法 | 標準 | |
|----------|-----|--------------------------------------------------------------------------------------------------------------------------------------|-------------------|----------|
| 標準試驗條件 | | 1.溫度:15~35℃.2.濕度:45%~75% 3.大氣壓:86~106kPa | | |
| 壓敏電壓 | | 通過規定電流時, 壓敏電阻兩端的電壓用Vc來表示, 規定通過的電流為1mA. | | |
| 最大工作電壓 | | 在規定的溫度範圍內可以連續施加在壓敏電阻器兩端的最大交流(有效值)或直流電壓. 壓敏電阻在該電壓下仍為休息狀態. | | |
| 最高抑制電壓 | | 對壓敏電阻器施加規定標準波形(8/20us)的脈衝電流(如圖),壓敏電阻器兩端的最大電壓.  | 符合規格值 | |
| 額定功率 | | 在規定的環境溫度下所消耗的最大功率. | | |
| 能量耐量 | | 一次單脈衝電流衝擊的最大能量, 以10/1000us或2ms方波, 其電流, 電壓與時間的積 (E=K*Vm*Im*T, K為係數) 且压敏电压的变化率仍在10%以內。 | | |
| 最大峰值電流 | 第1次 | 以8/20us標準波形電流作一次衝擊的最大電流值. 此時壓敏電壓的變化率仍在±10%以內. | | |
| | 第2次 | 以8/20us標準波形電流作二次衝擊的最大電流值. 此時壓敏電壓的變化率仍在±10%以內. 兩次間隔5分種. | | |
| 壓敏電壓溫度係數 | | $\frac{V_c(+85^\circ\text{C})-V_c(+25^\circ\text{C})}{V_c(+25^\circ\text{C})} * \frac{1}{60} * 100\%$ | 0~ -0.05%/°C max. | |
| | | 為1MHz ± 10%) | | |
| 絕緣強度 | | 將樣品的兩端連在一起為一電極, 用金屬球包圍樣品的環氧包封本體為另一電極, 施加規定的電壓1分鐘. | 無擊穿 | |
| | | 壓敏電壓 | | 試驗電壓(AC) |
| | | Vc ≤ 330V | | 1000Vrms |
| | | Vc > 330V | 1500Vrms | |

| 項目 | 試驗方法 | | 標準 | |
|-------------------|--------------------------------------------------------------------------------------------------|--------------|-------------------------------|-------------|
| 脈衝壽命 | 脈衝強度和寬度如脈衝壽命圖, 按衝擊次數選擇相應曲線. 衝擊次數為 $10^4 \sim 1000$ 次時, 衝擊間隔為分鐘. 衝擊次數 $\geq 10^4$ 時, 衝擊間隔10秒鐘. | | $\Delta V_c/VC \leq \pm 10\%$ | |
| | 項目 | 脈衝壽命1 | | 脈衝壽命2 |
| | 次數 | 10^4 次 | | 10^5 次 |
| | 品名 | 脈衝電流(A) | | |
| | WMR05D180L ~ 680K | 0.5A(2ms) | | 0.45A(2ms) |
| | WMR05D820K~561K | 20A(8/20us) | | 14A(8/20us) |
| | WMR07D180L ~ 680K | 18A(8/20us) | | 12A(8/20us) |
| | WMR07D820K~ 681K | 50A(8/20us) | | 35A(8/20us) |
| | WMR10D180L ~ 680K | 50A(8/20us) | | 35A(8/20us) |
| | WMR10D820K ~112K | 100A(8/20us) | | 70A(8/20us) |
| | WMR14D180L ~ 680K | 75A(8/20us) | | 45A(8/20us) |
| | WMR14D820K ~ 182K | 150A(8/20us) | | 90A(8/20us) |
| WMR20D180L ~ 680K | 120A(8/20us) | 55A(8/20us) | | |
| WMR20D820K ~ 182K | 200A(8/20us) | 100A(8/20us) | | |
| 引線抗折強度 | 持10秒, 目視檢查有無損傷. | | 無明顯機械損傷 | |
| | 引線直徑 | 拉力 | | |
| | 0.6,0.8mm | 9.8N(1.0kgf) | | |
| 振動 | 將樣品固定, 使引線垂直向上, 然後以軸向施加力如下表. 引線被逐漸向一個方向彎折 90° , 再朝原方向彎折 90° . | | 無明顯機械損傷 | |
| | 引線直徑 | 拉力 | | |
| | 0.6,0.8mm | 4.9N(0.5kgf) | | |
| 振動 | 對樣品施加簡諧振動(振幅0.75mm), 頻率 $10 \sim 55$ Hz, 每1分鐘為1個頻率變化周期(10Hz-50Hz-10Hz), 三個軸向分別施加2小時, 然後目視檢查有無損傷. | | 無明顯機械損傷 | |
| | 引線直徑 | 拉力 | | |
| | 1.0mm | 9.8N(1.0kgf) | | |

| 項目 | 試驗方法 | | | 標準 |
|--------|--------------------------------------------------------------------------------------------------------------------------------|--------------------------|------------|------------------------------------------|
| 可焊性 | 將引線浸入錫面距包封腳3mm處, 焊錫溫度 $235 \pm 5^{\circ}\text{C}$ 時間 2 ± 0.5 秒, 目視檢查焊接均勻度 | | | 約95%的引線表面被焊錫覆蓋 |
| 耐焊接熱 | 將引線浸入錫面距包封腳3mm處, 焊錫溫度 $260 \pm 5^{\circ}\text{C}$ 時間 10 ± 1 秒 (05D系列 5 ± 1 秒), 然後在室內放置1-2小時, 再測壓敏電壓變化率和目視檢查有無損傷. | | | $\Delta V_c/V_c \leq \pm 5\%$ 無明顯機械損傷 |
| 高溫存放試驗 | 樣品在 $125 \pm 2^{\circ}\text{C}$ 的烘箱中無負荷存放1000小時, 然後取出在室內放置1-2小時, 再測試壓敏電壓變化率. | | | $\Delta V_c/V_c \leq \pm 5\%$ |
| 濕熱實驗 | 樣品在 $40 \pm 2^{\circ}\text{C}$, 濕度90~95%RH的環境中無負荷放置 1000小時, 然後取出在室內放置1-2小時, 再測試壓敏電 壓變化率. | | | $\Delta V_c/V_c \leq \pm 5\%$ |
| 溫度迴圈 | 每次溫度迴圈步驟如下表. 重復5次. 然後取出在室內放 置1-2小時, 再測壓敏電壓變化率. | | | $\Delta V_c/V_c \leq \pm 5\%$ 無明顯機械損傷 |
| | 步驟 | 溫度($^{\circ}\text{C}$) | 時間(分) | |
| | 1 | -40 ± 3 | 30 ± 3 | |
| | 2 | 室溫 | 15 ± 3 | |
| 3 | 85 ± 2 | 30 ± 3 | | |
| 高溫負荷試驗 | 樣品在 $85 \pm 2^{\circ}\text{C}$ 環境下施加最大連續工作電壓1000小時, 然後取出在室溫放置1-2小時, 再測試壓敏電壓變化率. | | | $\Delta V_c/V_c \leq \pm 10\%$ |
| 濕熱負荷實驗 | 樣品在 $40 \pm 2^{\circ}\text{C}$, 濕度90~95%RH的環境下施加最大連 續工作電壓1000小時, 然後取出在室溫放置1-2小時, 再 測試壓敏電壓變化率. | | | $\Delta V_c/V_c \leq \pm 10\%$ |
| 低溫負荷實驗 | 樣品在 $-40 \pm 2^{\circ}\text{C}$ 的環境下無負荷放置1000小時, 然後取 取出在室溫放置1~2小時, 再測試壓敏電壓變化率. | | | $\Delta V_c/V_c \leq \pm 5\%$ |

15.使用注意事項

15.1安全事項

WMR D-Type壓敏電阻器應在其額定參數條件以內工作,否則有可能因週邊異常條件導致壓敏電阻發熱,劣化甚至擊穿. 壓敏電阻器的失效模式主要為短路,也有可能出現開路. 因此,在使用前要充分理解相關技術條件. 如有任何疑問,請與我們聯絡.

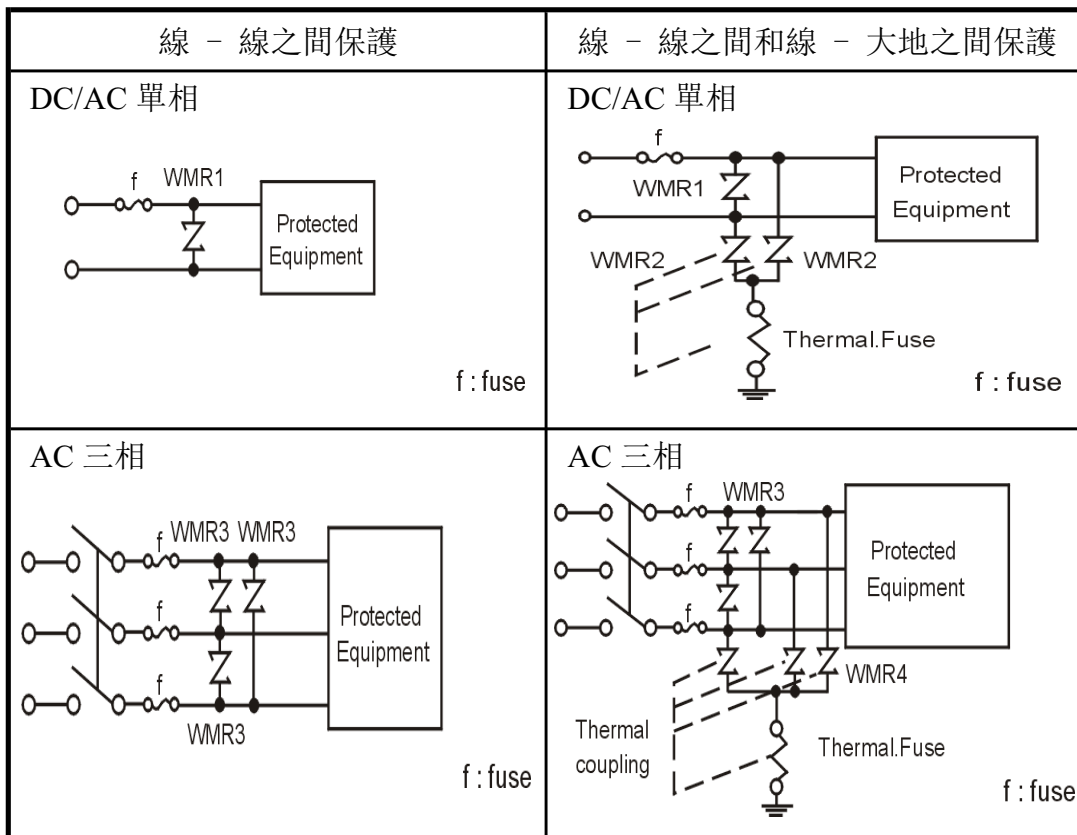
15.2嚴格遵守以下措施,避免不可預期事故發生.

- 1).如有發現壓敏電阻器斷裂,請更換.
- 2).請不要將壓敏電阻安裝在發熱或可燃元件附近,最好有大於3mm間隔,以免損壞其他元件.
- 3).若壓敏電阻被接於設備的帶電部份和金屬外殼之間時,必須採取以下防範措施以免造成人員觸電事故:
 - a.設備的金屬外殼必須有可靠的接地線與大地相連接.
 - b.在設備中要安裝漏電保護裝置或緊貼壓敏電阻安裝熱熔短器,並串聯在壓敏電阻回路,以確保萬一出現故障時,斷開電路.
 - c.設備帶電部分應該安裝保護罩以防止觸電事故.
- 4).壓敏電阻器的工作環境溫度應該在規定範圍內.
- 5).壓敏電阻器的工作電壓(連續施加在壓敏電阻器兩端的電壓)不能超出規格表中最大連續工作電壓值.
脈衝壽命圖中規定值.
- 7).當浪湧脈衝以很短的間歇重復施加於壓敏電阻器時,設計師應計算此時的平均功率並應該使其低於規格表中額定功率.
- 8).通過壓敏電阻器的浪湧電流不應超出規格表中最大峰值電流.

15.3保護措施

- 1).對壓敏電阻器加裝保險裝置,可免除由外界不確定因素對壓敏電阻器和裝置造成的不利
 - 1.1.壓敏電阻器接在電源線之間時,可在火線進線處可串聯一保險絲(見圖1)
 - 1.2.壓敏電阻器接在火線與大地之間時,由於存在接地電阻,出現故障時電流型保險絲有可能不被熔斷,導致壓敏電阻器燒毀.改進措施:
 - a.在進線中接入漏電開關,當電路中出現漏電流時,及時切斷電路.
 - b.緊貼壓敏電阻器安裝熱熔斷器,並串聯在回路中,當壓敏電阻器過熱時,熱熔斷器斷開,切斷電路.

圖一



| | | | | | |
|---------|-----|-----|-----|-----|-----|
| 壓敏電阻器系列 | 05D | 07D | 10D | 14D | 20D |
| 推薦保險絲規格 | 3A | 5A | 7A | 10A | 10A |

15.4 壓敏電阻器壓敏電壓選定

- 1). 在實際電路中的最大工作電壓, 必須低於規格表中最大工作電壓.
負荷不平衡, 火線與中線暫態短路. 容性(或感性)負荷中的開關操作引起的LC共振導致電壓臨時波動的因素, 選取壓敏電阻器壓敏電壓時, 要留有餘量.
- 3). 線 - 線保護: 在工頻電網中進行線 - 線之間保護時, 針對各檔電壓推薦的壓敏電阻器的壓敏電壓值如表一.
- 4). 線 - 大地之間保護: 在工頻電網中進行火線與大地之間保護時, 針對各檔電壓推薦的壓敏電阻器的壓敏電壓如表一.

表一

| 線 - 線之間 | | | 線 - 大地之間 | | |
|--------------|------------------|----------------------|--------------|------------------|----------|
| WMR | 工作電壓 | 品名 | WMR | 工作電壓 | 品名 |
| WMR1 WMR3 | AC100V | WMR□D201 to □361 | WMR2 WMR4 | AC100V AC220V | WMR□D471 |
| | AV120V | WMR□D241 to □431 | | | WMR□D511 |
| | AC200V | WMR□D471 to □621 | | | WMR□D621 |
| | AC240V | WMR□D511 WMR□D621 | | WMR□D821 | |
| | | | | WMR□D182 | |
| AC380V | WMR□D201 to □365 | AC380V | WMR□D112 | | |
| | | | | WMR□D182 | |

15.5 環境條件

- 1). 壓敏電阻器不應暴露在露天或戶外工作.
- 2). 壓敏電阻器的環境溫度不能超出技術條件規定的範圍, 不要被陽光直接照射, 也不要靠近設備中的發熱元件.
- 4). 壓敏電阻器應避免在沙塵, 鹽霧, 有害氣體的條件下工作.

15.6 裝配中注意事項

- 1). 不要用丙酮等溶劑清洗壓敏電阻器, 以免破壞包封層環氧樹脂.
- 2). 安裝時應避免敲擊, 彎折壓敏電阻器, 以免造成機械損傷.

15.7 長期存放

- 1). 壓敏電阻不能在高溫高濕的條件下存放, 應在溫度40°C以下, 相對濕度75%RH以下的
- 2). 壓敏電阻器不能和腐蝕性氣體在一起存放.
- 3). 存放在庫房的壓敏電阻器不要被陽光直射.

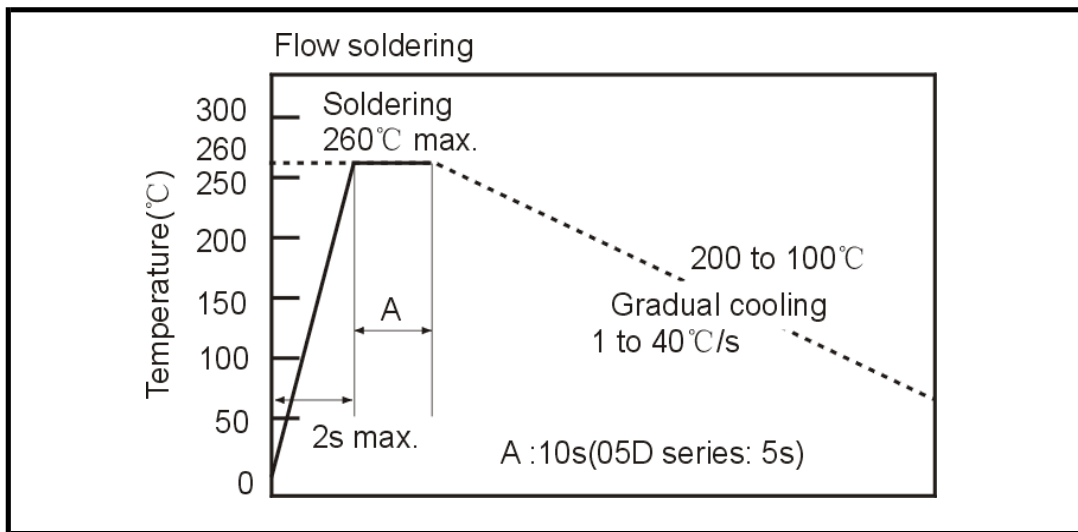
15.8 壓敏電阻器的固有電容

- 1). 壓敏電阻器的固有電容已在規格表中列出, 供設計師在高頻電路中選用時參考.

15.9 焊接溫度 - 時間的推薦(見圖二)

| 類別 | 焊接方法 | 焊接溫度 | 焊接時間 | 備註 |
|--------|------|-------|---------|-------------|
| D-Type | 波峰焊 | 260°C | 10秒 max | 05D系列要在5秒以內 |
| | 回流焊 | —— | —— | D-Type不可回流焊 |

圖二



15.10.修定事項說明

- 1).如有相關材料,製品及製造工廠變更,我們將及時通知您.
- 2).請在標準技術條件下使用,如有超出使用條件造成損壞,我司不承擔責任.
- 3).如有不詳或建議之處,請及時與我們聯絡,我們將提供解答說明.

X-ON Electronics

Largest Supplier of Electrical and Electronic Components

Click to view similar products for [Varistors](#) category:

Click to view products by [WMEC](#) manufacturer:

Other Similar products are found below :

[R71ZOV151HC](#) [B72205S271K111](#) [B72214S251K151](#) [NTE1V020](#) [NTE1V130](#) [25FN511K](#) [S10K11G5S5](#) [ERZ-C14DK361U](#) [ERZ-C20DK221U](#) [207869-1](#) [AS-13](#) [B72540E 350K 62](#) [B72590D360A60](#) [B72650M301K93](#) [B72670M1140K72](#) [TVZ18EC271KBS](#) [TVZ20EB911KBS](#) [TVZ25D201KBS](#) [TVZ25D241KBS](#) [VDRH20X230BSE](#) [VZ07D220KBS](#) [VZ40D241KQ-N](#) [VZ40D241K](#) [VZ25D511KBS-N](#) [VZ20E511KBSX](#) [VZ20E221KBSX](#) [VZ10D471KBS-N](#) [20A9FN241K](#) [B72650M350K72](#) [TVZ25D301KBS](#) [TVZ20EC911KBS](#) [TVZ20EBN911KBS](#) [TVZ18EC471KBS](#) [B72220S350K101](#) [NTE1V030](#) [NTE1V275](#) [NTE2V015](#) [NTE2V035](#) [NTE2V115](#) [VZ20D391KBS-N](#) [VZ10D241KBS-N](#) [VZ07D390KBS-N](#) [VDRH14V060TSE](#) [VDRH20X300BKE](#) [V300LT4PX1841](#) [NTE1V017](#) [NTE1V115](#) [NTE1V150](#) [NTE1V300](#) [NTE2V025](#)