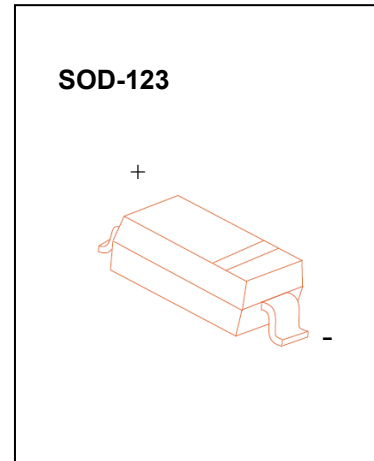


## FEATURES

- Fast Switching Speed
- Surface Mount Package Ideally Suited for Automatic Insertion
- For General Purpose Switching Applications
- High Conductance



## MARKING:T4

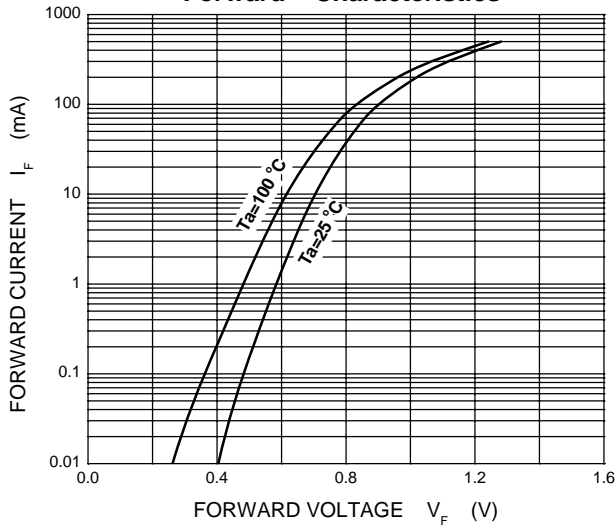
### Maximum Ratings and Electrical Characteristics, Single Diode @T<sub>a</sub>=25°C

Parameter	Symbol	Limits	Unit
Non-Repetitive Peak reverse voltage	V <sub>RM</sub>	100	V
Peak Repetitive Peak reverse voltage	V <sub>RRM</sub>	100	V
Working Peak Reverse Voltage	V <sub>RWM</sub>		
DC Blocking Voltage	V <sub>R</sub>		
RMS Reverse Voltage	V <sub>R(RMS)</sub>	71	V
Forward Continuous Current	I <sub>FM</sub>	300	mA
Average Rectified Output Current	I <sub>O</sub>	150	mA
Peak forward surge current @=1.0μs @=1.0s	I <sub>FSM</sub>	2.0 1.0	A
Power Dissipation	P <sub>d</sub>	500	mW
Thermal Resistance from Junction to Ambient	R <sub>θJA</sub>	250	°C/W
Junction temperature	T <sub>j</sub>	150	°C
Storage temperature	T <sub>STG</sub>	-65~+150	°C

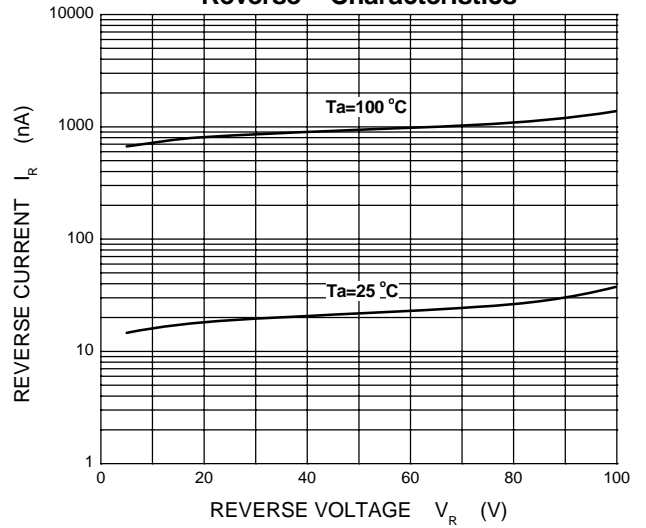
### Electrical Ratings @T<sub>a</sub>=25°C

Parameter	Symbol	Min.	Typ.	Max.	Unit	Conditions
Forward voltage	V <sub>F1</sub>			0.715	V	I <sub>F</sub> =1mA
	V <sub>F2</sub>			0.855	V	I <sub>F</sub> =10mA
	V <sub>F3</sub>			1.0	V	I <sub>F</sub> =50mA
	V <sub>F4</sub>			1.25	V	I <sub>F</sub> =150mA
Reverse current	I <sub>R1</sub>			1	μA	V <sub>R</sub> =75V
	I <sub>R2</sub>			25	nA	V <sub>R</sub> =20V
Capacitance between terminals	C <sub>T</sub>			2	pF	V <sub>R</sub> =0V, f=1MHz
Reverse Recovery Time	t <sub>rr</sub>			4	ns	I <sub>F</sub> =I <sub>R</sub> =10mA I <sub>rr</sub> =0.1X I <sub>R</sub> , R <sub>L</sub> =100Ω

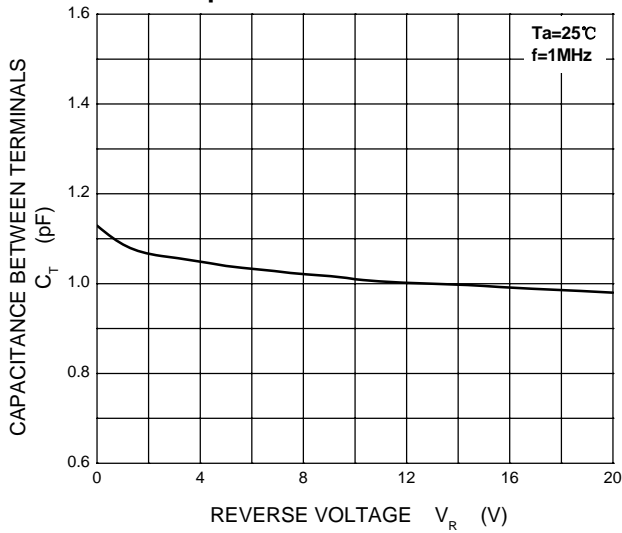
**Forward Characteristics**



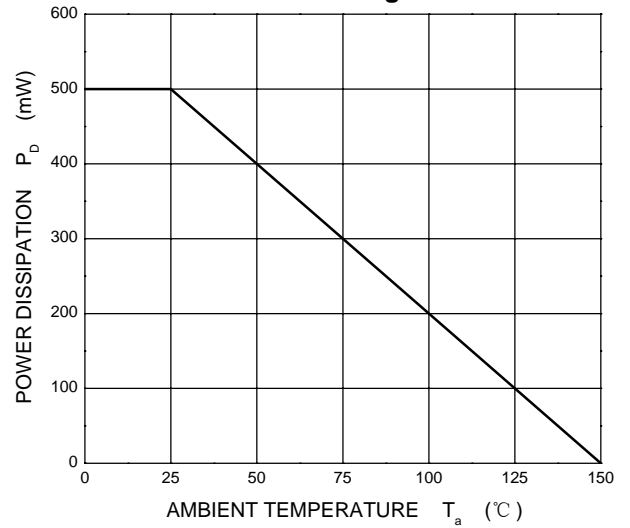
**Reverse Characteristics**



**Capacitance Characteristics**



**Power Derating Curve**



## X-ON Electronics

Largest Supplier of Electrical and Electronic Components

*Click to view similar products for [Diodes - General Purpose, Power, Switching category:](#)*

*Click to view products by [WPMtek manufacturer:](#)*

Other Similar products are found below :

[MMBD3004S-13-F](#) [RD0306T-H](#) [BAV17-TR](#) [BAV19-TR](#) [HSC285TRF-E](#) [1N3611](#) [NTE156A](#) [NTE574](#) [NTE6244](#) [1SS181-TP](#) [1SS193,LF](#)  
[1SS400CST2RA](#) [SDAA13](#) [SHN2D02FUTW1T1G](#) [LS4151GS08](#) [1N4449](#) [1N456A](#) [1N4934-E3/73](#) [1N914B](#) [1N914BTR](#) [1SS226-TP](#)  
[RFUH20TB3S](#) [D291S45T](#) [BAV300-TR](#) [BAW56DWQ-7-F](#) [BAW75-TAP](#) [MM230L-CAA](#) [IDW40E65D1](#) [JAN1N3600](#) [LL4151-GS18](#)  
[053684A](#) [SMMSD4148T3G](#) [707803H](#) [NSVDAN222T1G](#) [CDSZC01100-HF](#) [LL4150-M-08](#) [1N4454-TR](#) [BAV199E6433HTMA1](#) [BAS28-7](#)  
[BAW56HDW-13](#) [BAS28 TR](#) [VS-HFA04SD60STR-M3](#) [NSVM1MA152WKT1G](#) [RGP30D-E3/73](#) [BAV99TQ-13-F](#) [BAS21DWA-7](#) [NTE6250](#)  
[NTE582-4](#) [NTE582-6](#) [MMDB30-E28X](#)