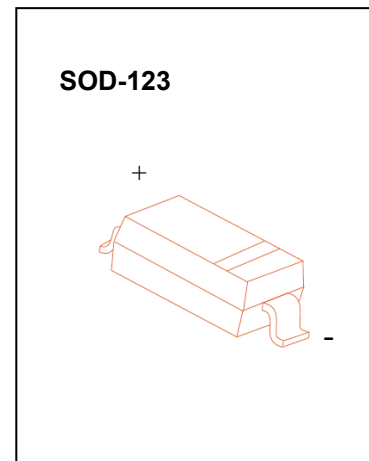


FEATURES

Fast Switching Speed
Surface Mount Package Ideally Suited for Automatic Insertion
For General Purpose Switching Applications
High Conductance

MARKING: BAV19W: A8
BAV20W: T2
BAV21W: T3



Maximum Ratings and Electrical Characteristics, Single Diode @T_A=25°C

Parameter	Symbol	BAV19W	BAV20W	BAV21W	Unit
Non-Repetitive Peak reverse voltage	V _{RM}	120	200	250	V
Peak Repetitive Peak reverse voltage	V _{RRM}				
Working Peak Reverse Voltage	V _{RWM}	100	150	250	V
DC Blocking Voltage	V _R				
RMS Reverse Voltage	V _{R(RMS)}	71	106	141	V
Forward Continuous Current	I _{FM}	400			mA
Average Rectified Output Current	I _O	200			mA
Peak forward surge current @=1.0ms @=1.0s	I _{FSM}	2.5 0.5			A
Repetitive Peak Forward Current	I _{FRM}	625			mA
Power Dissipation	P _d	500			mW
Thermal Resistance Junction to Ambient	R _{θJA}	250			°C/W
Storage temperature	T _{STG}	-65~+150			°C

Electrical Ratings @T_A=25°C

Parameter	Symbol	Min.	Typ.	Max.	Unit	Conditions
Forward voltage	V _{F1}			1.0	V	I _F =0.1A
	V _{F2}			1.25		I _F =0.2A
Reverse current	BAV19W BAV20W BAV21W	I _R		0.1	μA	V _R =100V
				0.1		V _R =150V
				0.1		V _R =200V
Capacitance between terminals	C _T			5	pF	V _R =0V, f=1MHz
Reverse Recovery Time	t _{rr}			50	ns	I _F =I _R =30mA I _{rr} =0.1X I _R , R _L =100Ω

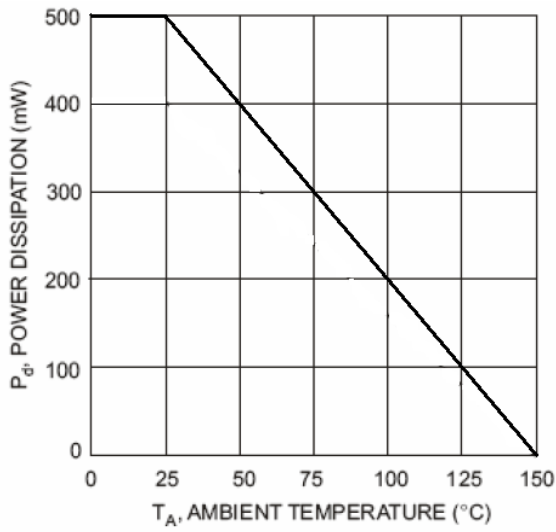


Fig. 1 Power Derating Curve

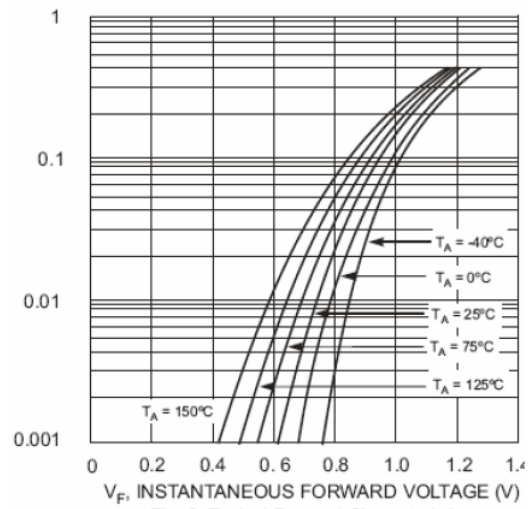


Fig. 2 Typical Forward Characteristics

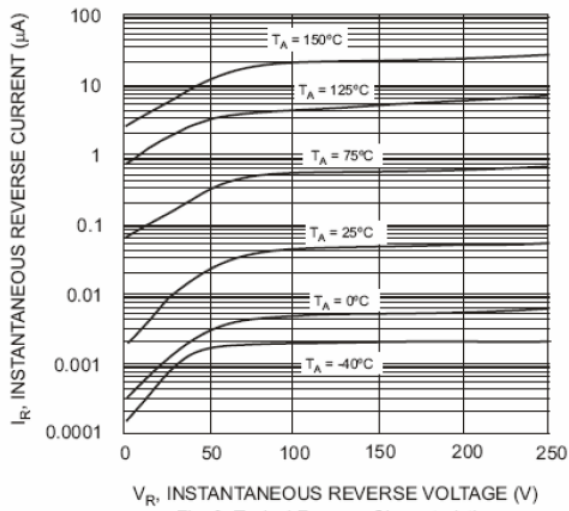


Fig. 3 Typical Reverse Characteristics

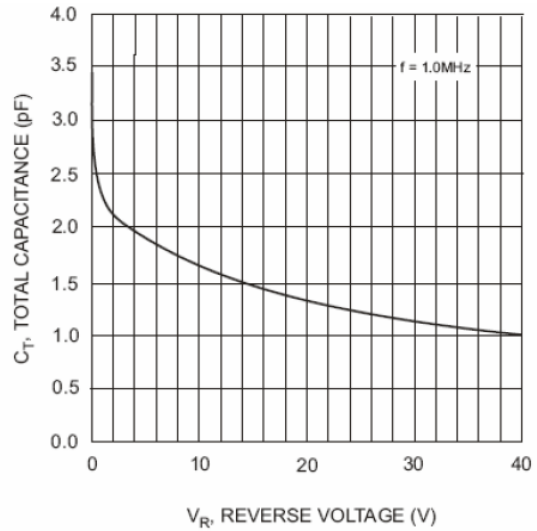


Fig. 4 Typical Capacitance vs. Reverse Voltage

X-ON Electronics

Largest Supplier of Electrical and Electronic Components

Click to view similar products for [Diodes - General Purpose, Power, Switching category](#):

Click to view products by [WPMtek manufacturer](#):

Other Similar products are found below :

[MCL4151-TR3](#) [MMBD3004S-13-F](#) [RD0306T-H](#) [1N3611](#) [NTE156A](#) [NTE574](#) [NTE6244](#) [1SS193,LF](#) [1SS400CST2RA](#) [SDAA13](#)
[SHN2D02FUTW1T1G](#) [LS4151GS08](#) [1N4449](#) [1N456A](#) [1N4934-E3/73](#) [1N914BTR](#) [RFUH20TB3S](#) [D291S45T](#) [BAV300-TR](#) [BAW56DWQ-](#)
[7-F](#) [BAW56M3T5G](#) [BAW75-TAP](#) [MM230L-CAA](#) [IDW40E65D1](#) [JAN1N3600](#) [JAN1N4454UR-1](#) [LL4151-GS18](#) [SMMSD4148T3G](#)
[BYW95B/A52A](#) [NSVDAN222T1G](#) [CDSZC01100-HF](#) [LL4150-M-08](#) [1N4454-TR](#) [BAV70HDW-7](#) [BAS28-7](#) [JANTX1N6640](#) [BAW56HDW-](#)
[13](#) [BAS28 TR](#) [VS-HFA04SD60STR-M3](#) [NSVM1MA152WKT1G](#) [1SS388-TP](#) [RGP30D-E3/73](#) [VS-8EWF02S-M3](#) [BAV99TQ-13-F](#)
[BAV99HDW-13](#) [MMDB30-E28X](#) [IDP20C65D2XKSA1](#) [LS4148](#) [IDV15E65D2](#) [NSVM1MA152WAT1G](#)