



PROTEUS-III/THYONE-I EVALUATION BOARD USER MANUAL

FOR RADIO MODULES

EV Order Code	Module order code	Product Name
2611019024001	2611011024000	Proteus-III
2611019021001	2611011021000	Thyone-I
2611017221001	2611011021000	Thyone-I

VERSION 1.4

FEBRUARY 17, 2021

MUST READ

Check for firmware updates

Before using the product make sure you use the most recent firmware version, data sheet and user manual. This is especially important for Wireless Connectivity products that were not purchased directly from Würth Elektronik eiSos. A firmware update on these respective products may be required.

We strongly recommend to include in the customer system design, the possibility for a firmware update of the product.

Revision history

Manual version	HW version	Notes	Date
1.0	2.0	<ul style="list-style-type: none"> Initial version 	February 2020
1.1	2.0	<ul style="list-style-type: none"> JP3 description in HW V2.0 is invalid. Updated jumper JP3 description in table 7 	March 2020
1.2	2.0	<ul style="list-style-type: none"> Evaluation Kit Long Range is added in table 1 and in table 4 . Chapter 3.3.4 is updated. Chapter 3.5.5 is updated. Chapter 3.6 is added. 	July 2020
1.3	2.0	<ul style="list-style-type: none"> Table 3 corrected. 	August 2020
1.4	2.3	<ul style="list-style-type: none"> Schematic is updated in chapter 3.7. Bill of materials is added in chapter 3.9. LFXO crystal part number is updated in chapter 3.5.5. Input capacitance variables C_{XC1} and C_{XC2} are changed to C_{XL1} and C_{XL2} respectively 3.5.5. FCC exemption information is added in chapter 4. 	January 2021

Abbreviations and abstract

Abbreviat	Name	Description
EV	Evaluation	
ESD	Electro Static Discharge	
FSE	Field Sales Engineer	Support and sales contact person responsible for limited sales area
FTDI	Future Technology Devices International	
GND	Ground	
HIGH	High signal level	
JTAG	Joint Test Action Group	
LED	Light Emitting Diode	
LFCLK	Low frequency clock	
LFXO	Low frequency crystal oscillator	
LOW	Low signal level	
NFC	Near Field Communication	
PCB	Personal Computer	
PCB	Printed Circuit Board	
RF	Radio frequency	Describes everything relating to the wireless transmission.
SMA	SubMiniature version A	
SWD	Serial Wire Debug	
UART	Universal Asynchronous Receiver Transmitter	Universal Asynchronous Receiver Transmitter allows communicating with the module of a specific interface.
USB	Universal Serial Bus	
VDD	Voltage Drain Drain	Supply voltage

Contents

1	Supported radio modules	5
2	Functional description	7
2.1	Taking into operation	7
3	Development board	8
3.1	Block diagram	8
3.2	Jumpers	9
3.3	Connectors and pin headers	11
3.3.1	CON1	12
3.3.2	CON2	12
3.3.3	CON3	12
3.3.4	CON4	13
3.3.5	CON5	13
3.3.6	CON6	14
3.4	Buttons	16
3.4.1	RESET button	16
3.4.2	WAKE-UP button	17
3.5	Function blocks	17
3.5.1	Power supply	17
3.5.1.1	Bus powered, power supply through USB	17
3.5.2	JP1 - Current measurement	17
3.5.3	UART / USB	17
3.5.4	UART direct	17
3.5.5	LFXO crystal	18
3.5.6	NFC	19
3.5.7	Programming interface	19
3.6	Long Range Measurement - Thyone-I	20
3.7	Schematic	21
3.8	Layout	23
3.9	Bill of materials	25
4	Regulatory compliance information	27
4.1	European Conformity	27
4.2	FCC	27
4.3	Exemption clause	27
5	Important notes	28
5.1	General customer responsibility	28
5.2	Customer responsibility related to specific, in particular safety-relevant applications	28
5.3	Best care and attention	28
5.4	Customer support for product specifications	28
5.5	Product improvements	28
5.6	Product life cycle	29
5.7	Property rights	29
5.8	General terms and conditions	29
6	Legal notice	30
6.1	Exclusion of liability	30

6.2	Suitability in customer applications	30
6.3	Trademarks	30
6.4	Usage restriction	30
7	License terms	32
7.1	Limited license	32
7.2	Usage and obligations	32
7.3	Ownership	33
7.4	Firmware update(s)	33
7.5	Disclaimer of warranty	33
7.6	Limitation of liability	33
7.7	Applicable law and jurisdiction	34
7.8	Severability clause	34
7.9	Miscellaneous	34

1 Supported radio modules

The evaluation board described in this manual can be used to evaluate the following products:

Order code	Product Name	Description
2611011024000	Proteus-III	Bluetooth® LE 5.1 radio module with smart antenna configuration
2611011021000	Thyone-I	2.4GHz proprietary with smart antenna configuration

Order code	Product Name
2611019024001	Proteus-III Bluetooth 5.1 EV-kit
2611019021001	Thyone-I EV-Kit
2611017221001	Thyone-I EV-Kit Long Range

Table 1: Compatibility

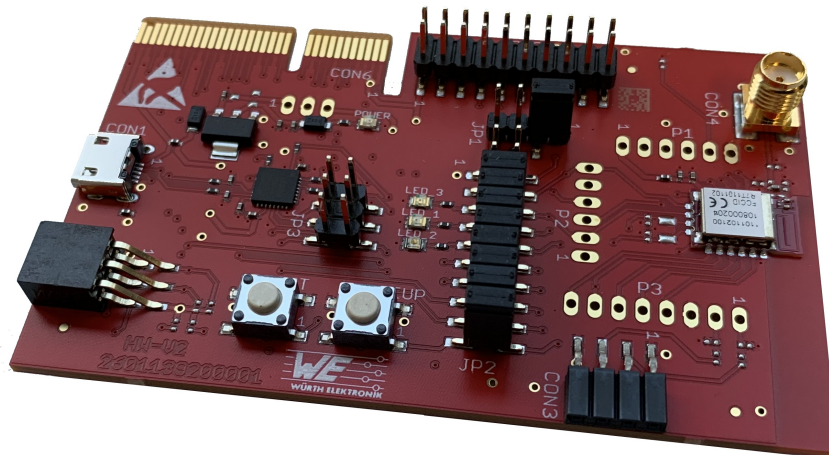


Figure 1: Product image

Kit Content 2611019024001	Quantity
Evaluation board with Proteus-III	1
USB2 A to USB Micro cable	1
Packaging: Cardboard Box, ESD safe cover	1

Table 2: Content Proteus-III Bluetooth 5.1 EV-kit

Kit Content 2611019021001	Quantity
Evaluation board with Thyone-I with On-board PCB Antenna connection	1
Thyone-I USB radio stick	1
USB2 A to USB Micro cable	1
Packaging: Cardboard Box, ESD safe cover	1

Table 3: Content Thyone-I EV-kit

Kit Content 2611017221001	Quantity
Evaluation board with Thyone-I with SMA connection for external antenna	1
2.4GHz external antenna - 2600130021	1
USB2 A to USB Micro cable	1
Packaging: ESD safe cover	1

Table 4: Content Thyone-I EV-Kit Long Range

2 Functional description

The evaluation board offers the user the possibility to develop hard- and software for the compatible radio module. It can be connected to an USB port of a PC.

For the connection to a micro controller system the development board is equipped with a multi-pin connector which is connected to all pins of the RF module. Jumpers allow the module to be disconnected from components such as the USB interface which are not required.

Feel free to check our youtube channel:

www.youtube.com/user/WuerthElektronik/videos for video tutorials, hands-ons and webinars relating to our products.

2.1 Taking into operation

To run the evaluation board place the jumpers on default location as shown in figure 3.

The corresponding FTDI driver package (www.ftdichip.com/Drivers/VCP.htm) has to be installed on your PC.

Connect the power jack or external power supply to the EV board and make sure the VDD is stable and able to reliably supply the module's static and peak current consumption as specified by the module manual.

The next step is to connect the evaluation board to the PC using a USB-cable. In that way a COM port can be detected and installed on your PC. Check the device manager to acquire the COM port name of the EV board. A typical name is "COM12" in Windows systems or "/dev/ttyUSB0" in Linux systems.

The WE-SmartCommander or any other serial terminal program (like hterm for Windows) has to be run and the corresponding COM port has to be opened using the default settings of the mounted radio module. After the module is powered through the USB jack or an alternative power supply, the reset button should be pressed to ensure a clean start-up of the module.

Please refer to the module reference manual to get the detailed module specific quick start instructions.

3 Development board

3.1 Block diagram

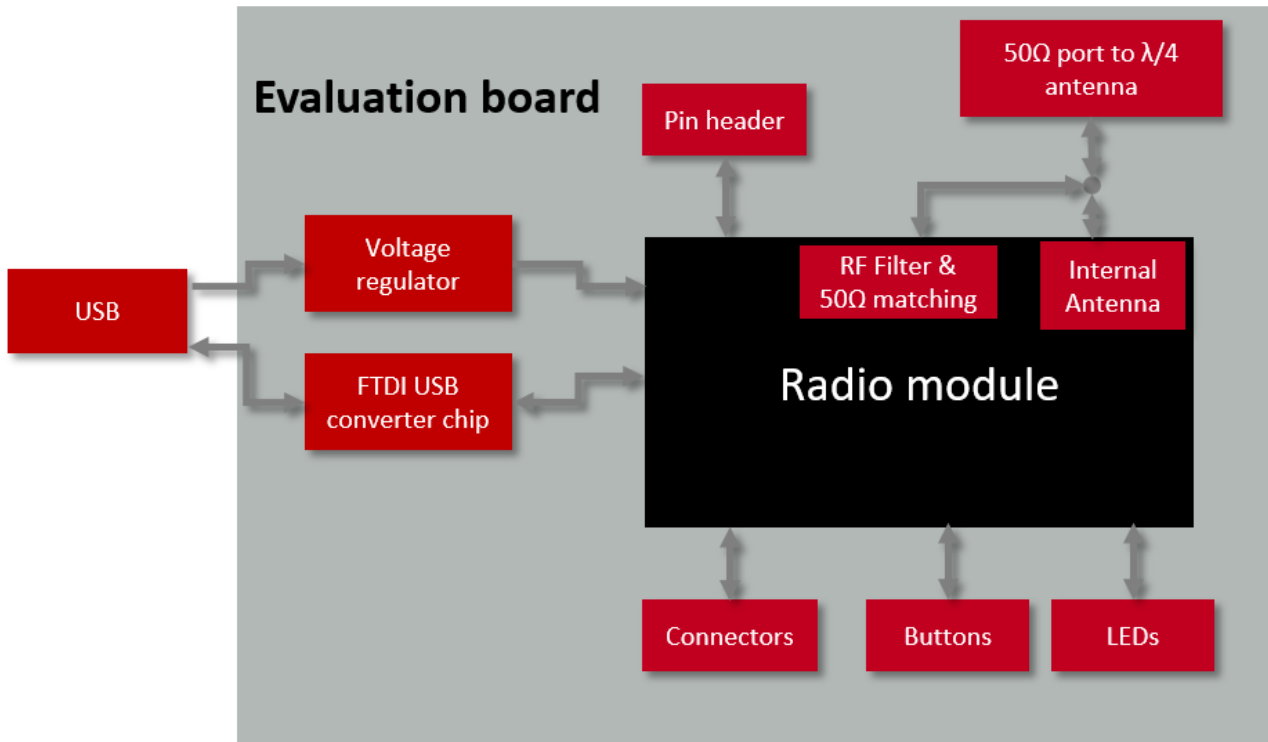


Figure 2: Block diagram

3.2 Jumpers

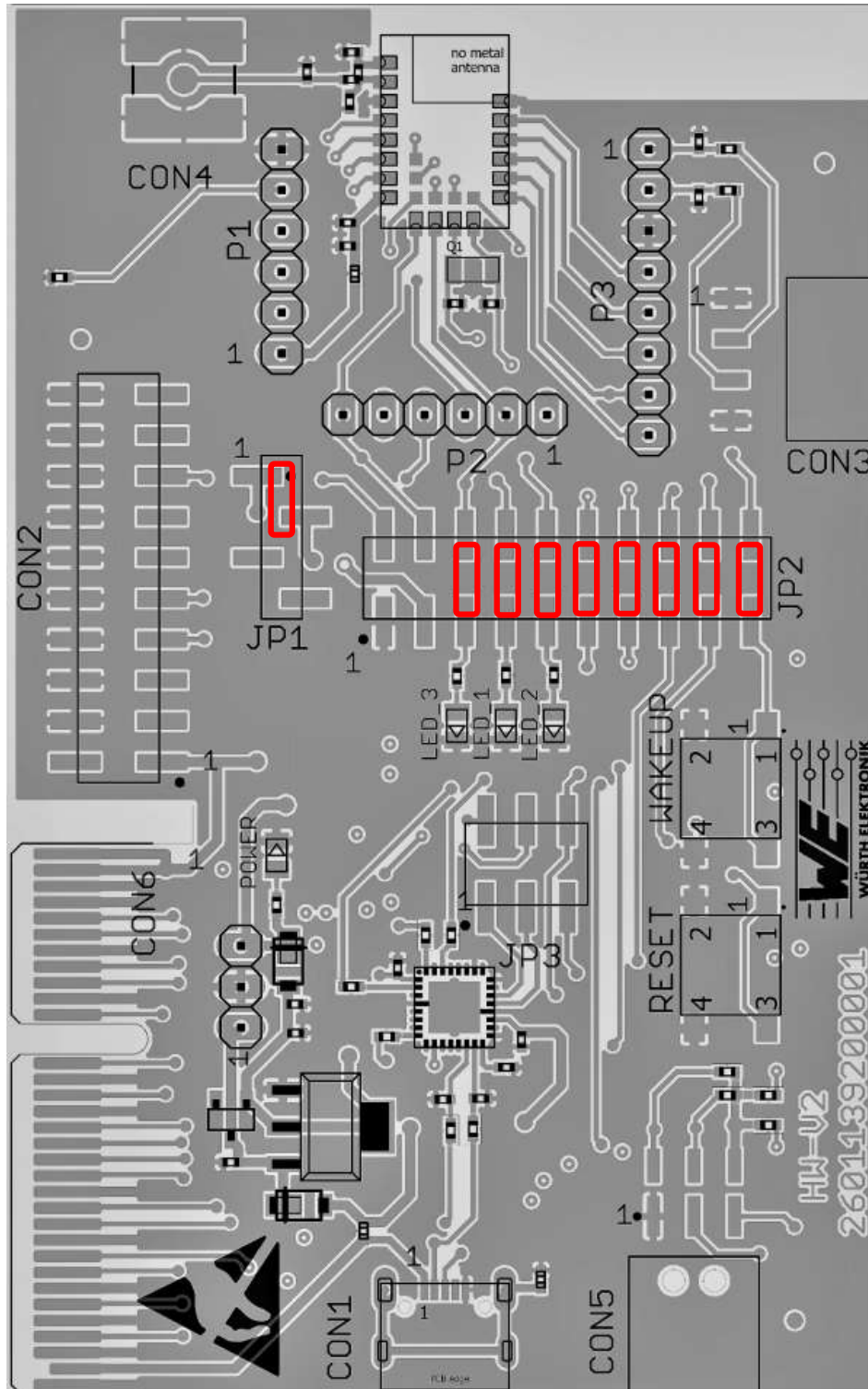


Figure 3: Jumpers, defaults

JP1	Function	Jumper set (default)
1,2	Power bridge	Yes

Table 5: Jumper JP1

JP2	Module Pin Function	Jumper set (default)
1,2	Connect BOOT pin to GND if set	No
3,4	Connect MODE_1 to VDD if set	No
5,6	LED3	Yes
7,8	LED1	Yes
9,10	LED2	Yes
11,12	UART TX	Yes
13,14	UART RX	Yes
15,16	CTS	Yes
17,18	RTS	Yes
19,20	Wake_up	Yes

Table 6: Jumper JP2

JP3	CBUS Connections	Jumper set (default)
1,2	CBUS 0 - Reset	No
3,4	CBUS 1 - Boot	No
5,6	CBUS 2 - Wake-up	No

Table 7: Jumper JP3



JP3 description printed on the bottom of the evaluation board Hardware Version 2.0 is invalid.



Jumper JP3 connections in the table 7 are updated and shall be used.

3.3 Connectors and pin headers

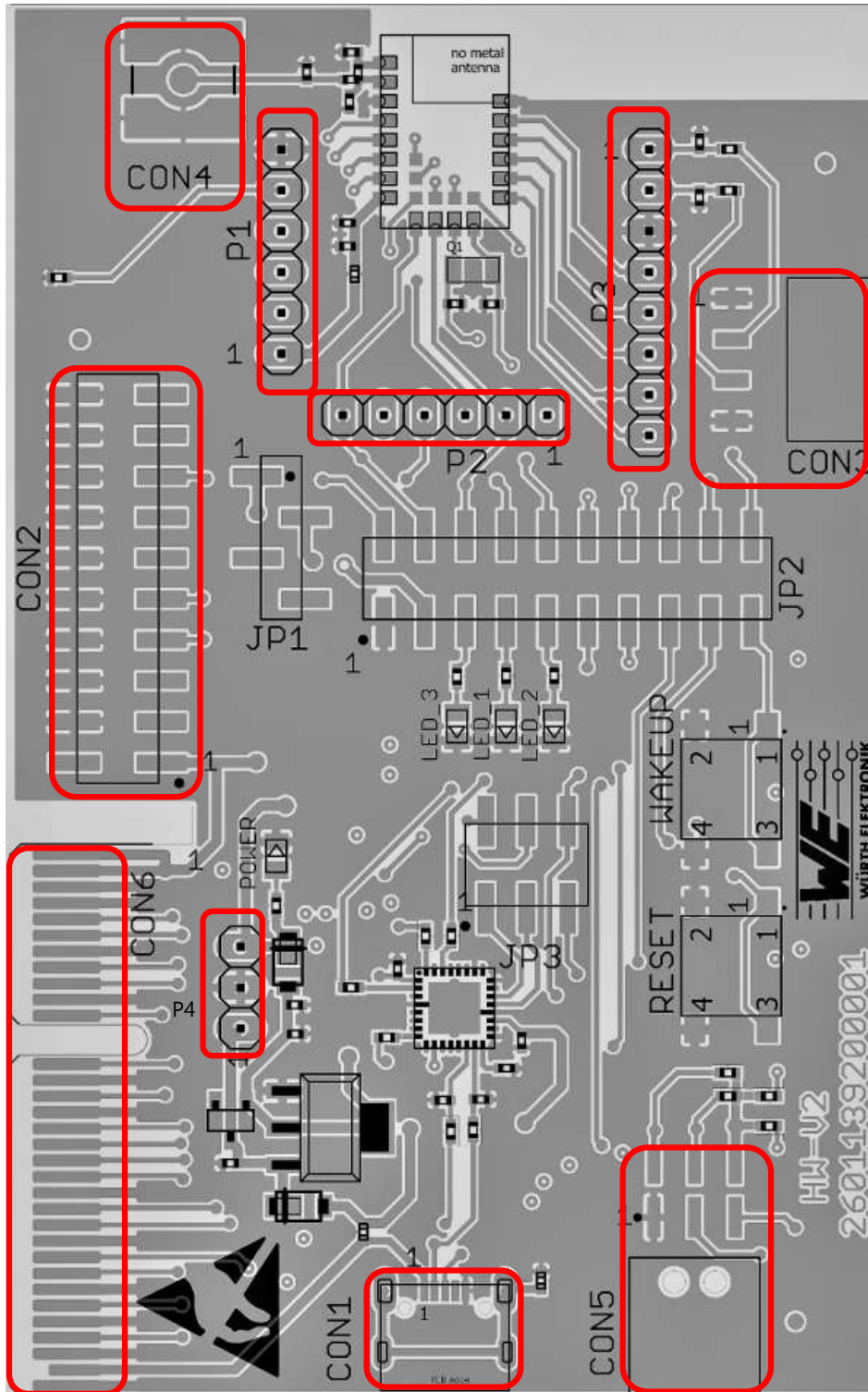


Figure 4: Connectors

Connector	Function
CON1	Micro-USB connector for host connection and VDD bus supply
CON2	2×10 JTAG/SWD Connector
CON3	Optional connection for NFC Antenna
CON4	SMA connector for external antenna
CON5	Optional connection for WE sensor EV-boards
CON6	Edge card connector, see table 10

Table 8: Connector overview

3.3.1 CON1

Connector CON1 is a micro-USB connector that enables connection to PC via standard micro-USB cable.

CON1	Function
	Micro-USB connector for host connection and VDD bus supply

3.3.2 CON2

Connector CON2 is the JTAG debugging interface.

CON2	nRF52840	Function
1		VDD
7	SWDIO	SWDIO
9	SWCLK	SWCLK
15	P0.18	RESET
4,6,8,10,12,14,16,18,20		GND
2,3,5,11,13,17,19		Not Connected

Table 9: Connector CON2

3.3.3 CON3

Connector CON3 is used to connect a NFC antenna. This feature is subjected to a customized firmware and not supported by default firmware.

CON3	nRF52840	Function
1		GND
2	P0.09	NFC1
3	P0.10	NFC2
4		GND

3.3.4 CON4

Connector CON4 (SMA receptacle) is used to connect an external antenna. The 2.4GHz antenna Himalia-2600130021 shall be used.

CON4	Function
Inner	RF signal
Outer	GND

The board supports 50 Ω connection by just soldering/unsoldering one component to use either module's internal PCB antenna or to connect an external antenna.



In order to use the external antenna for long range tests, Capacitor C6 has to be populated with a 22pF capacitor *885012005027* and C28 should be left unpopulated.

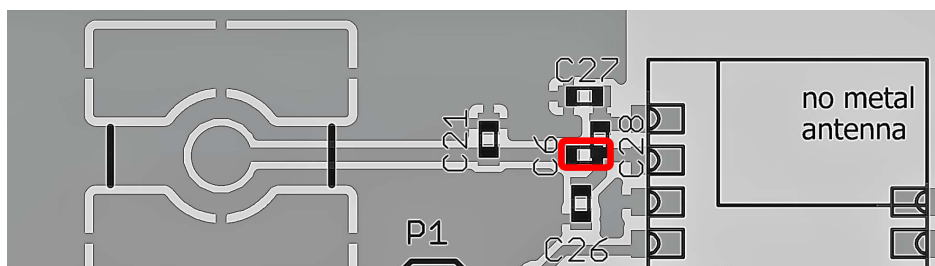


Figure 5: Capacitor connection to external antenna



In order to use the internal PCB antenna of the module, C28 has to be populated with a 22pF capacitor *885012005027* and C6 should be left unpopulated.

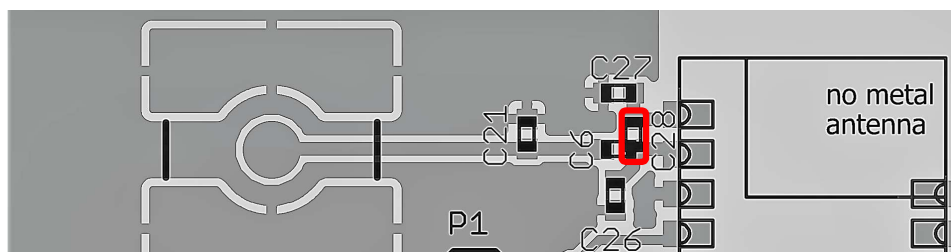


Figure 6: Capacitor connection to internal antenna

3.3.5 CON5

Connector CON5 is used to connect the WE Sensor evaluation boards. This feature is subjected to a customized firmware and not supported by default firmware.

CON5	nRF52840	Function
1		GND
2	P0.07	RSVD
3	P0.23	RSVD
4	P1.00	RSVD
5	P0.21	RSVD
6		VDD

3.3.6 CON6

Connector CON6 is an Edge card connector.

CON6	nRF52840	Function
B1, B2		VDD 3V
B3, B4, B7,B9, B13, B15, B20, B23, B26, B28, B30, B32		GND
B5	SWCLK	SWCLK
B6	SWDIO	SWDIO
B8	P0.03	WAKE_UP
B9	P0.02	BOOT
B11	P0.12	CTS
B12	P0.11	RTS
B14	P0.18	RESET
B16	P0.23	RSVD
B17	P0.21	RSVD
B18	P0.07	RSVD
B19	P1.00	RSVD
B21	P1.08	UTXD
B22	P1.09	URXD
B24	P0.19	MODE_1
B25	P0.22	BUSY
B27		D+ USB
B29		D- USB
B31		VDD 5V

Table 10: Connector CON6

P1	nRF52840	Function
1		VDD 3V
2	P0.02	BOOT
3	P0.18	RESET
4	SWDIO	SWDIO
5	SWCLK	SWCLK
6		GND

Table 11: Pinheader P1

P2	nRF52840	Function
1	P0.21	RSVD
2	P0.22	BUSY
3	P0.23	RSVD
4	P1.00	RSVD
5	P0.07	RSVD
6	P0.19	MODE_1

Table 12: Pinheader P2

P3	nRF52840	Function
1	P0.09	NFC1, RSVD
2	P0.10	NFC2, RSVD
3		GND
4	P0.03	WAKE_UP
5	P0.12	CTS
6	P0.11	RTS
7	P1.09	URXD
8	P1.08	UTXD

Table 13: Pinheader P3

P4	nRF52840	Function
1		VDD 3V
2		GND
3		VDD 5V

Table 14: Pinheader P4

3.4 Buttons

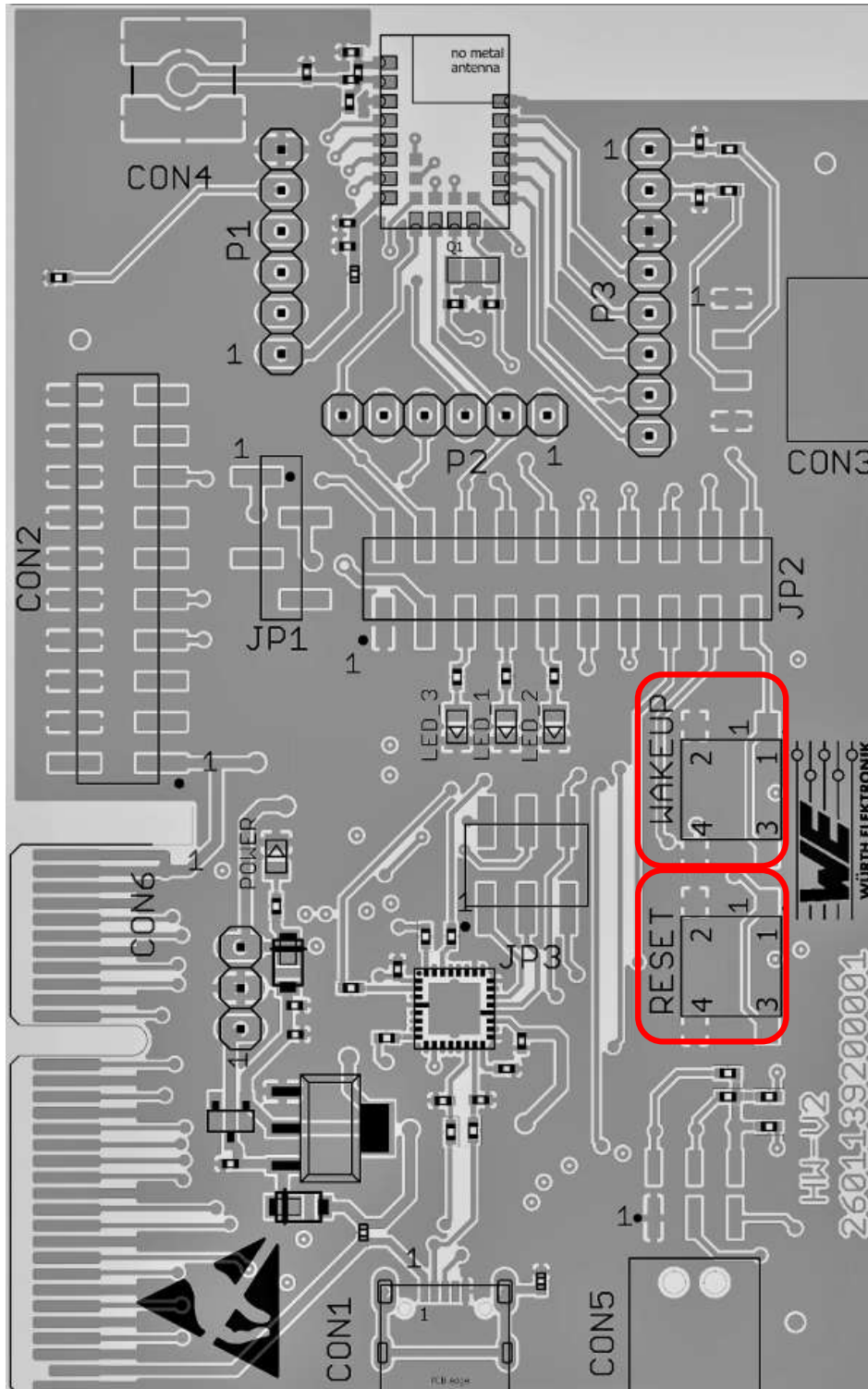


Figure 7: Buttons

3.4.1 RESET button

Internally the active low reset input of the micro processor is connected via a RC combination with the power supply to ensure a proper startup of the module. Any module provides a

/RESET pin that is connected to this button so the module can be restarted properly. Most modules provide an internal pull-up resistor. Please refer to the module specific manual for detailed information.

3.4.2 WAKE-UP button

Some modules use the wake-up button connected to their *WAKE-UP* pin to exit from sleep mode of the module. Please refer to the module specific manual for detailed information.

3.5 Function blocks

3.5.1 Power supply

3.5.1.1 Bus powered, power supply through USB

The development board can be run via USB. The integrated voltage regulator regulates the connected USB voltage 5V down to 3V and supplies the remaining parts of the circuit. If the evaluation board is power sourced the power *Power LED* lights up.

3.5.2 JP1 - Current measurement

By default, JP1 is bridged for normal operation. If a current meter is connected in place of the jumper, the power consumption of the radio module can be measured.

If the meter is not attached and the bridge is not set, the module will not receive a supply voltage. However, the power *Power LED* may be active, as it is connected prior to the current measurement bridge in order not to distort the module's power consumption.

3.5.3 UART / USB

The UART of the module can be connected to the USB converter by setting the bridge JP2. In this case it is available on the USB jack. Using the FTDI-driver the PC will show a virtual COM-Port which can be used to communicate with the module.



The USB cable length must not exceed 3 meters.

3.5.4 UART direct

If a micro-controller is to be connected to the module, remove the bridges on JP5. The UART can be connected directly on the pin strip JP5 (all odd numbered pins). The module *RXD* line must be handled accordingly by your host (i.e. pulled up while inactive and during module boot-up).

Beware of IO level incompatibility. The host must obey the values stated in the module's manual. Especially the IO level restrictions must be implemented by a host system (i.e. using a level shifter to use the allowed IO levels).

3.5.5 LFXO crystal

For higher LFCLK accuracy (better than $\pm 250\text{ppm}$) a low frequency crystal oscillator of 32.768kHz (LFXO) shall be used. A crystal, 3.2 \times 1.6mm package, for example 830009706, can be placed on the evaluation board to position Q1. The needed load capacitance can be reached with capacitors C9 and C10, 0402 package.

nRF52840 pin P0.00/XL1 and P0.01/XL12 are connected to module pad LED_1 and LED_2 respectively. If a LFXO is mounted to the EV board the JP2.7-8 and JP2.9-10 jumpers shall not be connected, therefore the LED1 and LED2 function is no longer available.

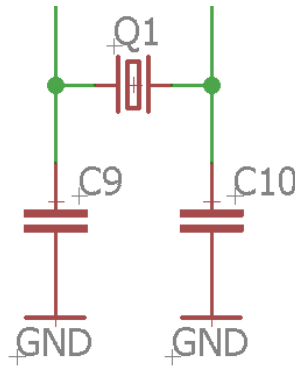


Figure 8: LFXO mounting

The input capacitance of the pad LED_1 and LED_2 are 4pF. The values of C9 and C10 can be calculated as follows.

The load capacitance of LFXO is given by

$$C_l = \frac{C9_l * C10_l}{C9_l + C10_l} \quad (1)$$

If $C9_l = C10_l = C$, then

$$C_l = \frac{C}{2} \quad (2)$$

whereas,

$$C9 = C - C_{XL1} - C_{PCB} \quad (3)$$

$$C10 = C - C_{XL2} - C_{PCB} \quad (4)$$

C_l = Load capacitance of LFXO crystal.

C_{XL1} = Input capacitance of Pad LED_1 (4pF)

C_{XL2} = Input capacitance of Pad LED_2 (4pF)

C_{PCB} = Parasitic capacitance of PCB Parasitic capacitance of the PCB can vary depending on design and track length. It can vary from 0.5pF to 2pF.

For the crystal 830009706 with load capacitance of 9pF and parasitic capacitance of 2pF. The value of C9 and C10 results in 12pF which was also tested on the evaluation board.

Depending on parasitic capacitance of Host PCB, a capacitance of 12pF may be a good starting value for C9 and C10.



Using standard firmware the external crystal is not needed. To enable use of the LFXO a custom firmware is required.

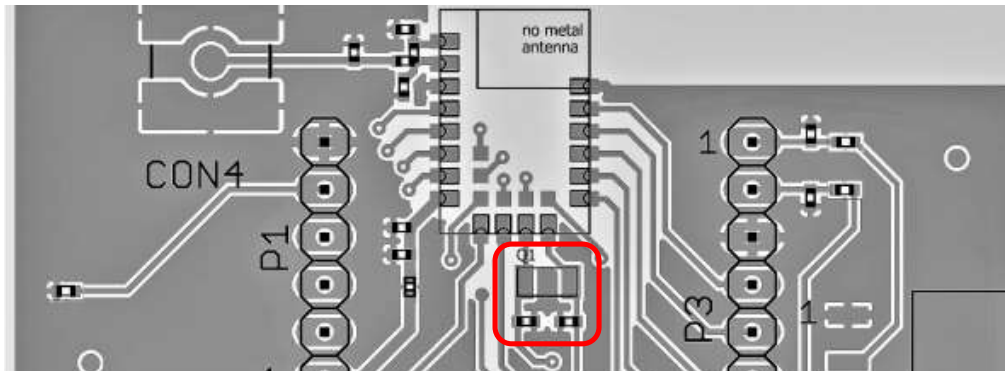


Figure 9: LFXO mounting

3.5.6 NFC



Using standard firmware NFC is not supported. To enable use of the NFC a custom firmware is required and an antenna and antenna matching network needs to be connected to the corresponding pins. In case of using NFC function, the corresponding pins are connected to the CON3 through place holders for matching circuitry to tune the NFC antenna.

3.5.7 Programming interface

The evaluation board provides a 2×10 pin connector to connect directly to a JTAG flash adapter used for development. Please take care of the correct mounting of the flash adapter. The recommended flash adapter is one of the "Segger J-Link" family. Jumper JP6 will prevent the module from starting in debug mode when no flash adapter is connected. To apply this, remove the flash adapter connection. Make sure a jumper at JP6 is placed. Unplug and replug the USB connection of the device. Press the reset button on the evaluation board.

3.6 Long Range Measurement - Thyone-I

The evaluation board as described in the previous sections offers both internal and external antenna connection. To test the long range functions of the Thyone-I module, two modules with external antenna connection should be taken into operation.

For long range measurements one of the following configuration is necessary. One option is listed in Table 15 , the other is in Table 16 .

Quantity	Product	Order Code
1	Thyone-I Evaluation-Kit	2611019021001
1	Himalia Antenna	2600130021
1	Thyone-I EV-Kit Long Range	2611017221001

Table 15: Configuration-I



By default the onboard PCB antenna is used in the Thyone-I Evaluation-Kit (2611019021001)



In order to use the external antenna, the capacitor connection to SMA connector should be made according to the chapter 3.3.4 and figure 5

Quantity	Product	Order Code
2	Thyone-I EV-Kit long range	2611017221001

Table 16: Configuration-II



By default the SMA connector of the evaluation boards in the Thyone-I EV-Kit long range (2611017221001) is connected to the module



In order to use the module's onboard PCB antenna, the capacitor connection to SMA connector should be made according to the chapter 3.3.4 and figure 6

3.7 Schematic

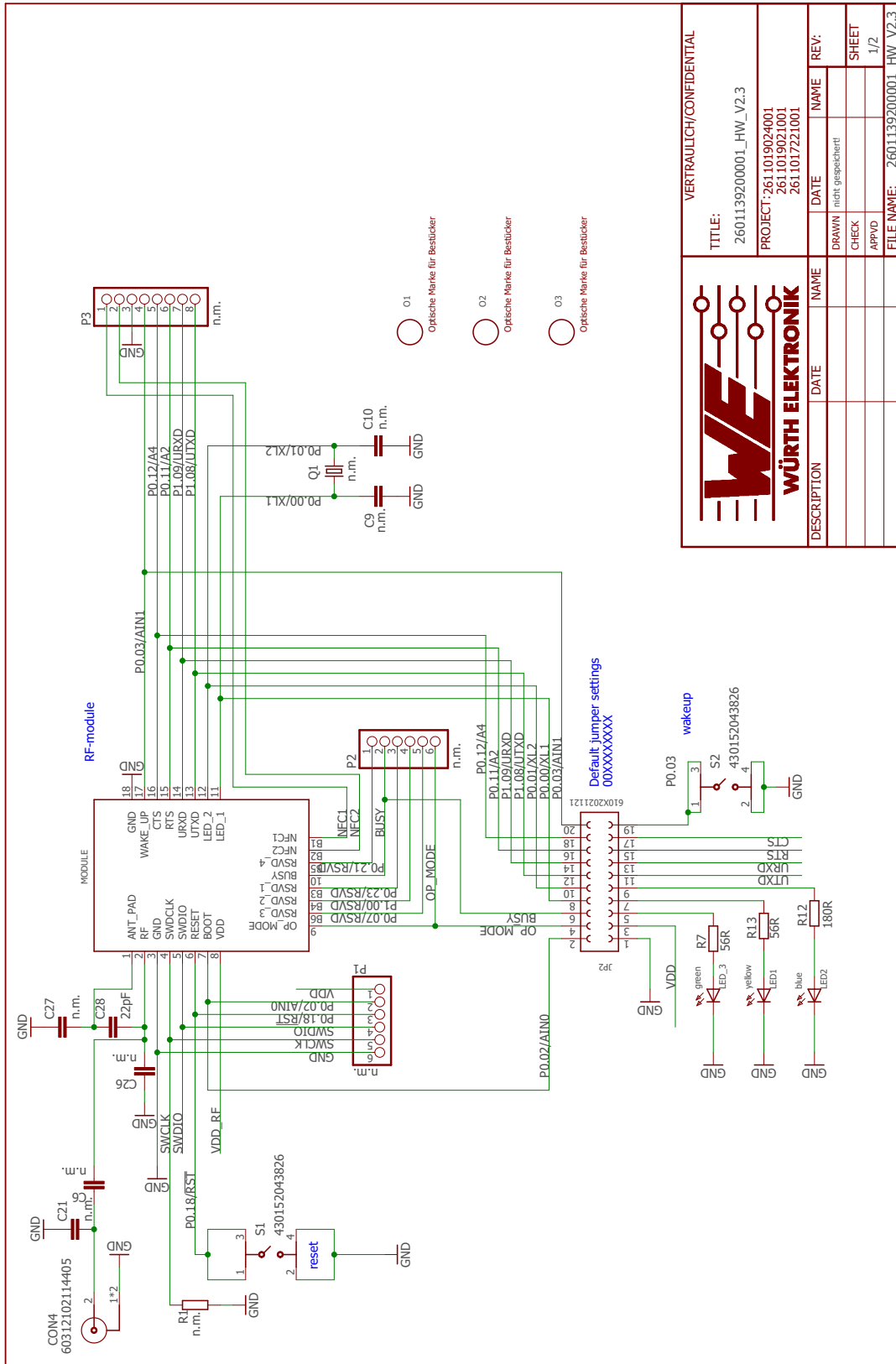


Figure 10: Schematic sheet-1

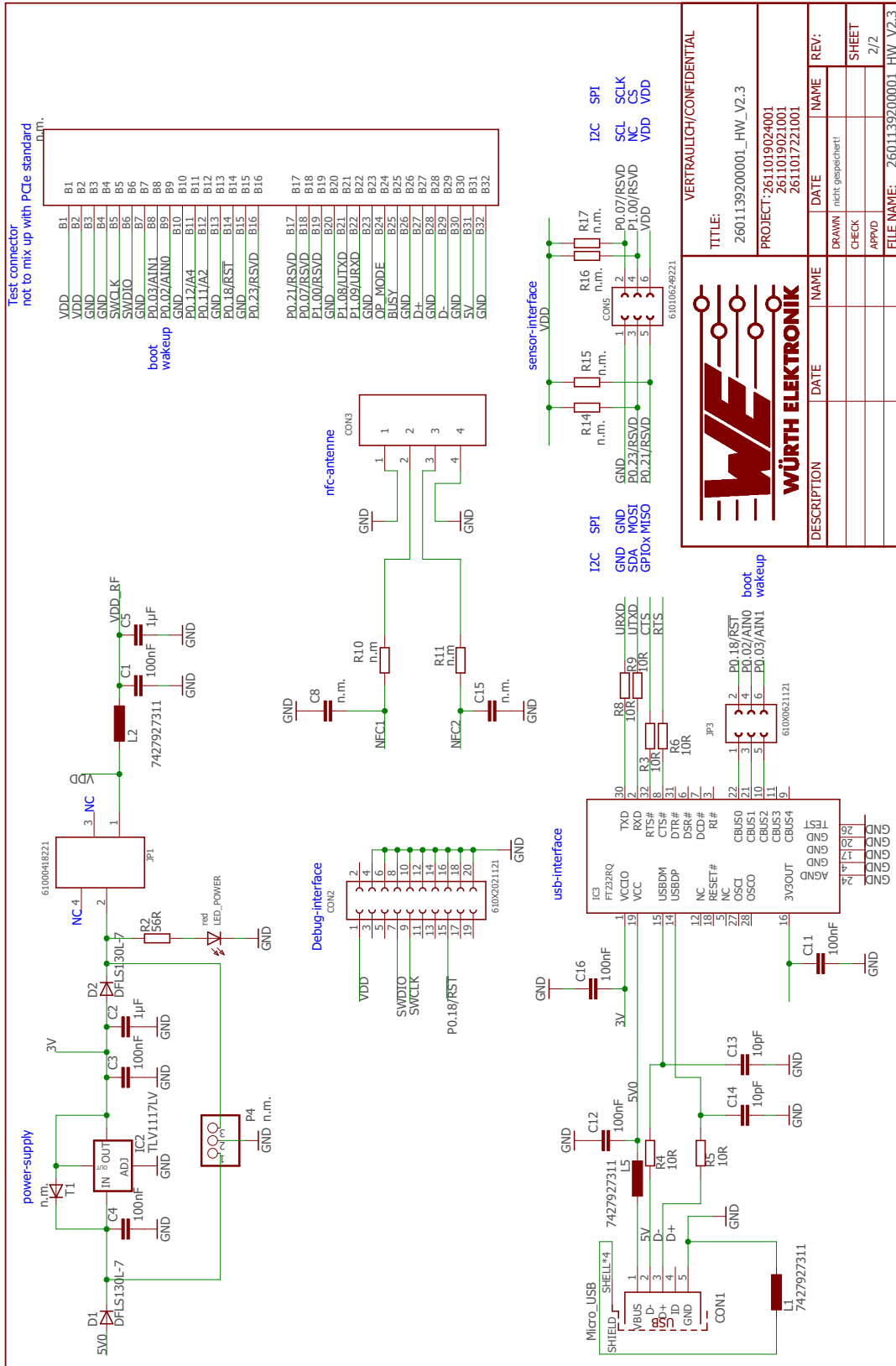


Figure 11: Schematic sheet-2

3.8 Layout

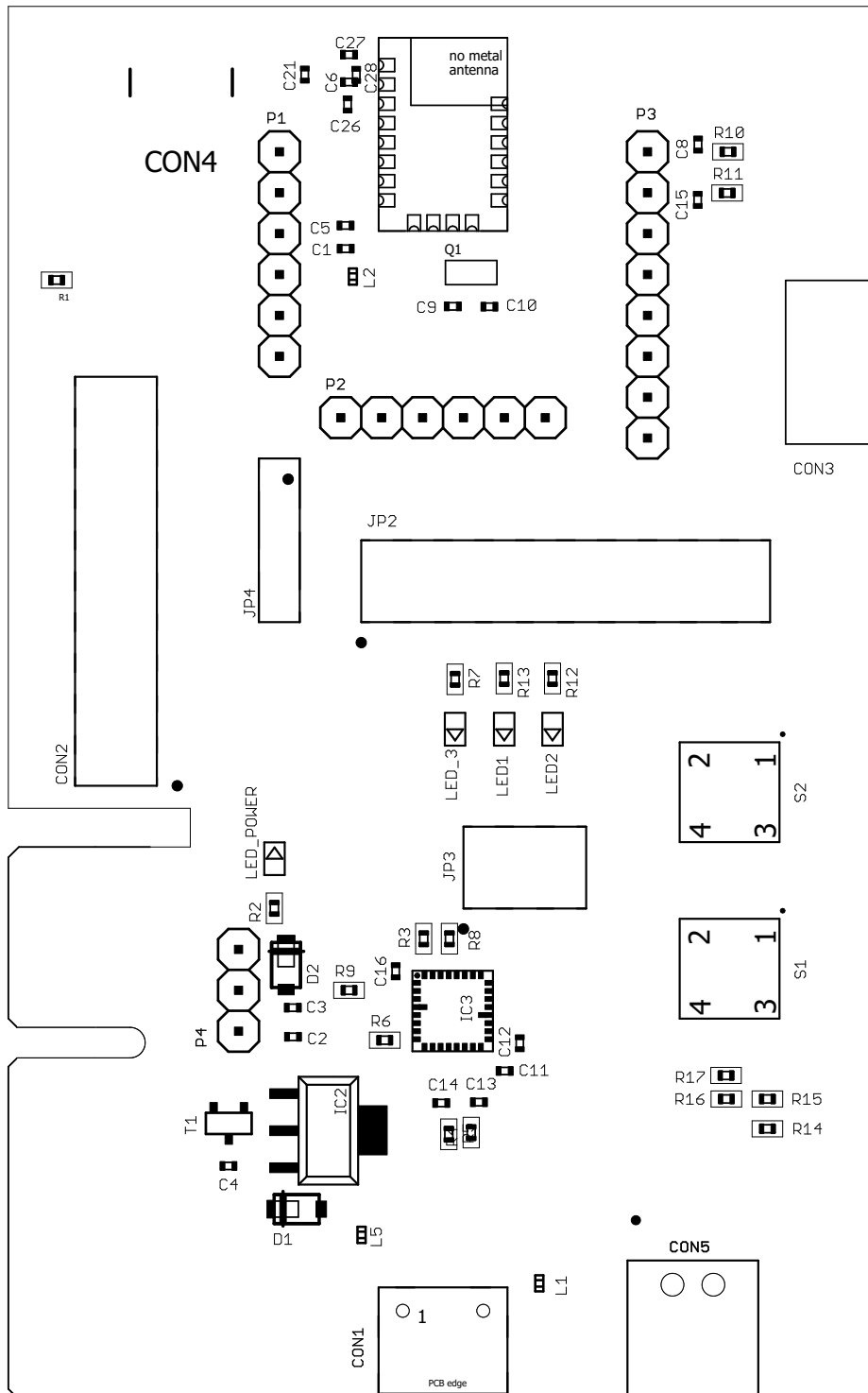


Figure 12: Assembly diagram

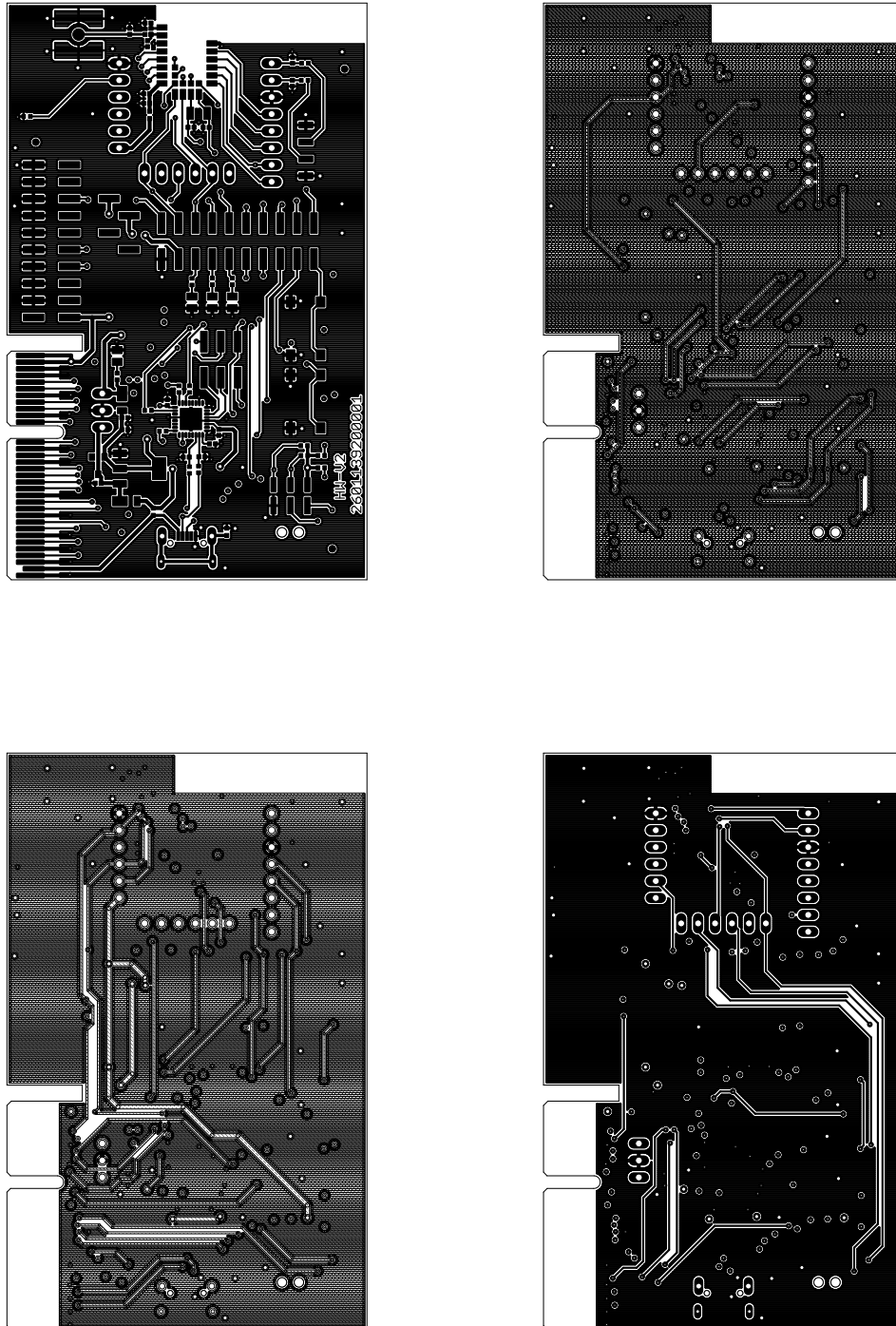


Figure 13: Top,bottom & internal layers

3.9 Bill of materials

Part	Value	PACK	MANUFACTURER	NR
C1	100nF	0402	Würth Elektronik	885012205037
C2	1µF	0402	Würth Elektronik	885012105012
C3	100nF	0402	Würth Elektronik	885012205037
C4	100nF	0402	Würth Elektronik	885012205037
C5	1µF	0402	Würth Elektronik	885012105012
C6	not mounted for EV Order code 2611019021001 2611019024001 (Internal Antenna)			
C6	22pF for EV Order code 2611017221001 (SMA Connection)	0402	Würth Elektronik	885012005027
C8	not mounted	0402		
C9	not mounted	0402		
C10	not mounted	0402		
C11	100nF	0402	Würth Elektronik	885012205037
C12	100nF	0402	Würth Elektronik	885012205037
C13	10pF	0402	Würth Elektronik	885012005055
C14	10pF	0402	Würth Elektronik	885012005055
C15	not mounted	0402		
C16	100nF	0402	Würth Elektronik	885012205037
C21	not mounted	0402		
C26	not mounted	0402		
C27	not mounted	0402		
C28	22pF for EV Order code 2611019021001 2611019024001 (Internal Antenna)	0402	Würth Elektronik	885012005027 for EV Order code 2611019021001 2611019024001
C28	not mounted for EV Order code 2611017221001 (SMA Connection)			
CON1	Micro_USB		Würth Elektronik	629105150521
CON2	2x10		Würth Elektronik	61002021121
CON3	BLLPSMD4S			
CON4	SMA		Würth Elektronik	60312102114405
CON5	2x3		Würth Elektronik	610106249221
CON6	not mounted			
D1	DFLS130L-7			
D2	DFLS130L-7			
IC2	LDO, 3V3			
IC3	FT232RQ			

JP1	1x4		Würth Elektronik	61000418221
JP2	2x10		Würth Elektronik	61002021121
JP3	2x3		Würth Elektronik	61000621121
L1	7427927311	0402	Würth Elektronik	7427927311
L2	7427927311	0402	Würth Elektronik	7427927311
L5	7427927311	0402	Würth Elektronik	7427927311
LED1	yellow		Würth Elektronik	150080YS75000
LED2	blue		Würth Elektronik	150080BS75000
LED_3	green		Würth Elektronik	150080GS75000
LED_POWER	red		Würth Elektronik	150080RS75000
O1	OPT_MARKE			
O2	OPT_MARKE			
O3	OPT_MARKE			
P1	not mounted			
P2	not mounted			
P3	not mounted			
P4	not mounted			
PROTEUS-III /THYONE-I	EV Kit dependant		Würth Elektronik	261101102x000 (EV Kit dependant)
Q1	not mounted			
R1	not mounted	0402		
R2	56R			
R3	10R			
R4	10R			
R5	10R			
R6	10R			
R7	56R			
R8	10R			
R9	10R			
R10	not mounted			
R11	not mounted			
R12	180R	0402		
R13	56R			
R14	not mounted			
R15	not mounted			
R16	not mounted			
R17	not mounted			
S1	430152043826		Würth Elektronik	430152043826
S2	430152043826		Würth Elektronik	430152043826
T1	not mounted			

4 Regulatory compliance information

4.1 European Conformity

Pursuant to Article 1 (2.) of the EU directive 2014/53/EU, Article 1 (2.) the directive does not apply to equipment listed in Annex I (4.): custom-built evaluation kits designed for professionals to be used solely at research and development facilities for such purposes.

4.2 FCC

Pursuant to §2.803 (c) of Title 47 Chapter I Subchapter A Part 2 Subpart I, the evaluation kit falls under the FCC exception. Therefore it is marked as "For evaluation only; not FCC approved for resale".

4.3 Exemption clause

Relevant regulation requirements are subject to change. Würth Elektronik eiSos does not guarantee the accuracy of the before mentioned information. Directives, technical standards, procedural descriptions and the like may be interpreted differently by the national authorities. Equally, the national laws and restrictions may vary with the country. In case of doubt or uncertainty, we recommend that you consult with the authorities or official certification organizations of the relevant countries. Würth Elektronik eiSos is exempt from any responsibilities or liabilities related to regulatory compliance.

Notwithstanding the above, Würth Elektronik eiSos makes no representations and warranties of any kind related to their accuracy, correctness, completeness and/or usability for customer applications. No responsibility is assumed for inaccuracies or incompleteness.

5 Important notes

The following conditions apply to all goods within the wireless connectivity product range of Würth Elektronik eiSos GmbH & Co. KG:

5.1 General customer responsibility

Some goods within the product range of Würth Elektronik eiSos GmbH & Co. KG contain statements regarding general suitability for certain application areas. These statements about suitability are based on our knowledge and experience of typical requirements concerning the areas, serve as general guidance and cannot be estimated as binding statements about the suitability for a customer application. The responsibility for the applicability and use in a particular customer design is always solely within the authority of the customer. Due to this fact, it is up to the customer to evaluate, where appropriate to investigate and to decide whether the device with the specific product characteristics described in the product specification is valid and suitable for the respective customer application or not. Accordingly, the customer is cautioned to verify that the documentation is current before placing orders.

5.2 Customer responsibility related to specific, in particular safety-relevant applications

It has to be clearly pointed out that the possibility of a malfunction of electronic components or failure before the end of the usual lifetime cannot be completely eliminated in the current state of the art, even if the products are operated within the range of the specifications. The same statement is valid for all software sourcecode and firmware parts contained in or used with or for products in the wireless connectivity and sensor product range of Würth Elektronik eiSos GmbH & Co. KG. In certain customer applications requiring a high level of safety and especially in customer applications in which the malfunction or failure of an electronic component could endanger human life or health, it must be ensured by most advanced technological aid of suitable design of the customer application that no injury or damage is caused to third parties in the event of malfunction or failure of an electronic component.

5.3 Best care and attention

Any product-specific data sheets, manuals, application notes, PCN's, warnings and cautions must be strictly observed in the most recent versions and matching to the products firmware revisions. This documents can be downloaded from the product specific sections on the wireless connectivity homepage.

5.4 Customer support for product specifications

Some products within the product range may contain substances, which are subject to restrictions in certain jurisdictions in order to serve specific technical requirements. Necessary information is available on request. In this case, the field sales engineer or the internal sales person in charge should be contacted who will be happy to support in this matter.

5.5 Product improvements

Due to constant product improvement, product specifications may change from time to time. As a standard reporting procedure of the Product Change Notification (PCN) according to the JEDEC-Standard, we inform about major changes. In case of further queries regarding the PCN, the field sales engineer, the internal sales person or the technical support team in charge should be contacted. The basic responsibility of the customer as per section 5.1 and 5.2 remains unaffected. All wireless connectivity module driver software "wireless connectivity SDK" and its source codes as well as all PC software tools are not subject to the Product Change Notification information process.

5.6 Product life cycle

Due to technical progress and economical evaluation we also reserve the right to discontinue production and delivery of products. As a standard reporting procedure of the Product Termination Notification (PTN) according to the JEDEC-Standard we will inform at an early stage about inevitable product discontinuance. According to this, we cannot ensure that all products within our product range will always be available. Therefore, it needs to be verified with the field sales engineer or the internal sales person in charge about the current product availability expectancy before or when the product for application design-in disposal is considered. The approach named above does not apply in the case of individual agreements deviating from the foregoing for customer-specific products.

5.7 Property rights

All the rights for contractual products produced by Würth Elektronik eiSos GmbH & Co. KG on the basis of ideas, development contracts as well as models or templates that are subject to copyright, patent or commercial protection supplied to the customer will remain with Würth Elektronik eiSos GmbH & Co. KG. Würth Elektronik eiSos GmbH & Co. KG does not warrant or represent that any license, either expressed or implied, is granted under any patent right, copyright, mask work right, or other intellectual property right relating to any combination, application, or process in which Würth Elektronik eiSos GmbH & Co. KG components or services are used.

5.8 General terms and conditions

Unless otherwise agreed in individual contracts, all orders are subject to the current version of the "General Terms and Conditions of Würth Elektronik eiSos Group", last version available at www.we-online.com.

6 Legal notice

6.1 Exclusion of liability

Würth Elektronik eiSos GmbH & Co. KG considers the information in this document to be correct at the time of publication. However, Würth Elektronik eiSos GmbH & Co. KG reserves the right to modify the information such as technical specifications or functions of its products or discontinue the production of these products or the support of one of these products without any written announcement or notification to customers. The customer must make sure that the information used corresponds to the latest published information. Würth Elektronik eiSos GmbH & Co. KG does not assume any liability for the use of its products. Würth Elektronik eiSos GmbH & Co. KG does not grant licenses for its patent rights or for any other of its intellectual property rights or third-party rights.

Notwithstanding anything above, Würth Elektronik eiSos GmbH & Co. KG makes no representations and/or warranties of any kind for the provided information related to their accuracy, correctness, completeness, usage of the products and/or usability for customer applications. Information published by Würth Elektronik eiSos GmbH & Co. KG regarding third-party products or services does not constitute a license to use such products or services or a warranty or endorsement thereof.

6.2 Suitability in customer applications

The customer bears the responsibility for compliance of systems or units, in which Würth Elektronik eiSos GmbH & Co. KG products are integrated, with applicable legal regulations. Customer acknowledges and agrees that it is solely responsible for compliance with all legal, regulatory and safety-related requirements concerning its products, and any use of Würth Elektronik eiSos GmbH & Co. KG components in its applications, notwithstanding any applications-related information or support that may be provided by Würth Elektronik eiSos GmbH & Co. KG. Customer represents and agrees that it has all the necessary expertise to create and implement safeguards which anticipate dangerous consequences of failures, monitor failures and their consequences lessen the likelihood of failures that might cause harm and take appropriate remedial actions. The customer will fully indemnify Würth Elektronik eiSos GmbH & Co. KG and its representatives against any damages arising out of the use of any Würth Elektronik eiSos GmbH & Co. KG components in safety-critical applications.

6.3 Trademarks

AMBER wireless is a registered trademark of Würth Elektronik eiSos GmbH & Co. KG. All other trademarks, registered trademarks, and product names are the exclusive property of the respective owners.

6.4 Usage restriction

Würth Elektronik eiSos GmbH & Co. KG products have been designed and developed for usage in general electronic equipment only. This product is not authorized for use in equipment where a higher safety standard and reliability standard is especially required or where a failure of the product is reasonably expected to cause severe personal injury or death,

unless the parties have executed an agreement specifically governing such use. Moreover, Würth Elektronik eiSos GmbH & Co. KG products are neither designed nor intended for use in areas such as military, aerospace, aviation, nuclear control, submarine, transportation (automotive control, train control, ship control), transportation signal, disaster prevention, medical, public information network etc. Würth Elektronik eiSos GmbH & Co. KG must be informed about the intent of such usage before the design-in stage. In addition, sufficient reliability evaluation checks for safety must be performed on every electronic component, which is used in electrical circuits that require high safety and reliability function or performance. By using Würth Elektronik eiSos GmbH & Co. KG products, the customer agrees to these terms and conditions.

7 License terms

This License Terms will take effect upon the purchase and usage of the Würth Elektronik eiSos GmbH & Co. KG wireless connectivity products. You hereby agree that this license terms is applicable to the product and the incorporated software, firmware and source codes (collectively, "Software") made available by Würth Elektronik eiSos in any form, including but not limited to binary, executable or source code form.

The software included in any Würth Elektronik eiSos wireless connectivity product is purchased to you on the condition that you accept the terms and conditions of this license terms. You agree to comply with all provisions under this license terms.

7.1 Limited license

Würth Elektronik eiSos hereby grants you a limited, non-exclusive, non-transferable and royalty-free license to use the software and under the conditions that will be set forth in this license terms. You are free to use the provided Software only in connection with one of the products from Würth Elektronik eiSos to the extent described in this license terms. You are entitled to change or alter the source code for the sole purpose of creating an application embedding the Würth Elektronik eiSos wireless connectivity product. The transfer of the source code to third parties is allowed to the sole extent that the source code is used by such third parties in connection with our product or another hardware provided by Würth Elektronik eiSos under strict adherence of this license terms. Würth Elektronik eiSos will not assume any liability for the usage of the incorporated software and the source code. You are not entitled to transfer the source code in any form to third parties without prior written consent of Würth Elektronik eiSos.

You are not allowed to reproduce, translate, reverse engineer, decompile, disassemble or create derivative works of the incorporated Software and the source code in whole or in part. No more extensive rights to use and exploit the products are granted to you.

7.2 Usage and obligations

The responsibility for the applicability and use of the Würth Elektronik eiSos wireless connectivity product with the incorporated Firmware in a particular customer design is always solely within the authority of the customer. Due to this fact, it is up to you to evaluate and investigate, where appropriate, and to decide whether the device with the specific product characteristics described in the product specification is valid and suitable for your respective application or not.

You are responsible for using the Würth Elektronik eiSos wireless connectivity product with the incorporated Firmware in compliance with all applicable product liability and product safety laws. You acknowledge to minimize the risk of loss and harm to individuals and bear the risk for failure leading to personal injury or death due to your usage of the product.

Würth Elektronik eiSos' products with the incorporated Firmware are not authorized for use in safety-critical applications, or where a failure of the product is reasonably expected to cause severe personal injury or death. Moreover, Würth Elektronik eiSos' products with the incorporated Firmware are neither designed nor intended for use in areas such as military, aerospace, aviation, nuclear control, submarine, transportation (automotive control, train control, ship control), transportation signal, disaster prevention, medical, public information network etc. You shall inform Würth Elektronik eiSos about the intent of such usage before design-in stage. In certain customer applications requiring a very high level of safety and in which the malfunction or failure of an electronic component could endanger human life or

health, you must ensure to have all necessary expertise in the safety and regulatory ramifications of your applications. You acknowledge and agree that you are solely responsible for all legal, regulatory and safety-related requirements concerning your products and any use of Würth Elektronik eiSos' products with the incorporated Firmware in such safety-critical applications, notwithstanding any applications-related information or support that may be provided by Würth Elektronik eiSos. YOU SHALL INDEMNIFY WÜRTH ELEKTRONIK EISOS AGAINST ANY DAMAGES ARISING OUT OF THE USE OF WÜRTH ELEKTRONIK EISOS' PRODUCTS WITH THE INCORPORATED FIRMWARE IN SUCH SAFETY-CRITICAL APPLICATIONS.

7.3 Ownership

The incorporated Firmware created by Würth Elektronik eiSos is and will remain the exclusive property of Würth Elektronik eiSos.

7.4 Firmware update(s)

You have the opportunity to request the current and actual Firmware for a bought wireless connectivity Product within the time of warranty. However, Würth Elektronik eiSos has no obligation to update a modules firmware in their production facilities, but can offer this as a service on request. The upload of firmware updates falls within your responsibility, e.g. via ACC or another software for firmware updates. Firmware updates will not be communicated automatically. It is within your responsibility to check the current version of a firmware in the latest version of the product manual on our website. The revision table in the product manual provides all necessary information about firmware updates. There is no right to be provided with binary files, so called "Firmware images", those could be flashed through JTAG, SWD, Spi-Bi-Wire, SPI or similar interfaces.

7.5 Disclaimer of warranty

THE FIRMWARE IS PROVIDED "AS IS". YOU ACKNOWLEDGE THAT WÜRTH ELEKTRONIK EISOS MAKES NO REPRESENTATIONS AND WARRANTIES OF ANY KIND RELATED TO, BUT NOT LIMITED TO THE NON-INFRINGEMENT OF THIRD PARTIES' INTELLECTUAL PROPERTY RIGHTS OR THE MERCHANTABILITY OR FITNESS FOR YOUR INTENDED PURPOSE OR USAGE. WÜRTH ELEKTRONIK EISOS DOES NOT WARRANT OR REPRESENT THAT ANY LICENSE, EITHER EXPRESS OR IMPLIED, IS GRANTED UNDER ANY PATENT RIGHT, COPYRIGHT, MASK WORK RIGHT, OR OTHER INTELLECTUAL PROPERTY RIGHT RELATING TO ANY COMBINATION, MACHINE, OR PROCESS IN WHICH THE WÜRTH ELEKTRONIK EISOS' PRODUCT WITH THE INCORPORATED FIRMWARE IS USED. INFORMATION PUBLISHED BY WÜRTH ELEKTRONIK EISOS REGARDING THIRD-PARTY PRODUCTS OR SERVICES DOES NOT CONSTITUTE A LICENSE FROM WÜRTH ELEKTRONIK EISOS TO USE SUCH PRODUCTS OR SERVICES OR A WARRANTY OR ENDORSEMENT THEREOF.

7.6 Limitation of liability

Any liability not expressly provided by Würth Elektronik eiSos shall be disclaimed. You agree to hold us harmless from any third-party claims related to your usage of the Würth Elektronik eiSos' products with the incorporated Firmware, software and source code. Würth

Elektronik eiSos disclaims any liability for any alteration, development created by you or your customers as well as for any combination with other products.

7.7 Applicable law and jurisdiction

Applicable law to this license terms shall be the laws of the Federal Republic of Germany. Any dispute, claim or controversy arising out of or relating to this license terms shall be resolved and finally settled by the court competent for the location of Würth Elektronik eiSos' registered office.

7.8 Severability clause

If a provision of this license terms is or becomes invalid, unenforceable or null and void, this shall not affect the remaining provisions of the terms. The parties shall replace any such provisions with new valid provisions that most closely approximate the purpose of the terms.

7.9 Miscellaneous

Würth Elektronik eiSos reserves the right at any time to change this terms at its own discretion. It is your responsibility to check at Würth Elektronik eiSos homepage for any updates. Your continued usage of the products will be deemed as the acceptance of the change.

We recommend you to be updated about the status of new firmware and software, which is available on our website or in our data sheet and manual, and to implement new software in your device where appropriate.

By ordering a wireless connectivity product, you accept this license terms in all terms.

List of Figures

1	Product image	5
2	Block diagram	8
3	Jumpers, defaults	9
4	Connectors	11
5	Capacitor connection to external antenna	13
6	Capacitor connection to internal antenna	13
7	Buttons	16
8	LFXO mounting	18
9	LFXO mounting	19
10	Schematic sheet-1	21
11	Schematic sheet-2	22
12	Assembly diagram	23
13	Top,bottom & internal layers	24

List of Tables

1	Compatibility	5
2	Content Proteus-III Bluetooth 5.1 EV-kit	6
3	Content Thyone-I EV-kit	6
4	Content Thyone-I EV-Kit Long Range	6
5	Jumper JP1	10
6	Jumper JP2	10
7	Jumper JP3	10
8	Connector overview	12
9	Connector CON2	12
10	Connector CON6	14
11	Pinheader P1	15
12	Pinheader P2	15
13	Pinheader P3	15
14	Pinheader P4	15
15	Configuration-I	20
16	Configuration-II	20



more than you expect



**Internet
of Things**



**Monitoring
& Control**



**Automated Meter
Reading**

Contact:

Würth Elektronik eiSos GmbH & Co. KG
Division Wireless Connectivity & Sensors

Max-Eyth-Straße 1
74638 Waldenburg
Germany

Tel.: +49 651 99355-0
Fax.: +49 651 99355-69
www.we-online.com/wireless-connectivity



X-ON Electronics

Largest Supplier of Electrical and Electronic Components

Click to view similar products for [Bluetooth Development Tools - 802.15.1 category](#):

Click to view products by [Wurth manufacturer](#):

Other Similar products are found below :

[DA14580PRODTLKT](#) [1628](#) [MBH7BLZ02-EF-KIT](#) [CYBLE-014008-PROG](#) [FWM7BLZ20-EB-KIT](#) [ATSAMB11ZR-XPRO](#) [SKY66111-21EK1](#) [SECO-RSL10-TAG-GEVB](#) [ENW89857AXKF](#) [3026](#) [MIKROE-2471](#) [MOD-NRF8001](#) [BLE-IOT-GEVB](#) [450-0184](#) [MIKROE-2399](#) [EKSHCNZXZ](#) [EVAL_PAN1026](#) [EVAL_PAN1720](#) [EVAL_PAN1740](#) [2267](#) [2479](#) [2487](#) [2633](#) [STEVAL-IDB005V1D](#) [STEVAL-IDB001V1](#) [MIKROE-2545](#) [SIPKITSLF001](#) [2995](#) [STEVAL-IDB007V1M](#) [2829](#) [DFR0267](#) [DFR0296](#) [DFR0492](#) [TEL0073](#) [BM-70-CDB](#) [WSM-BL241-ADA-008DK](#) [STEVAL-BTDP1](#) [ACD52832](#) [TEL0095](#) [ISP1507-AX-TB](#) [RN-4871-PICTAIL](#) [DA14695-00HQDEVKT-P](#) [DA14695-00HQDEVKT-U](#) [EVK-NINA-B112](#) [EBSHJNZXZ](#) [EKSGJNZWY](#) [EKSHJNZXZ](#) [BMD-200-EVAL-S](#) [ACN BREAKOUT BOARD](#) [ACN SKETCH](#)