

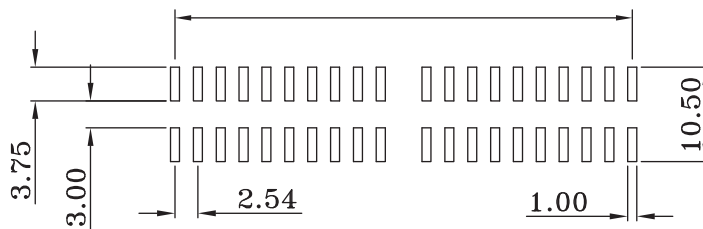
1

2

3

4

5



TECHNICAL CHARACTERISTICS

MATERIAL  
 INSULATOR: PA 9T  
 COLOR: BLACK  
 CONTACT MATERIAL: COPPER ALLOYS  
 CONTACT TYPE: STAMPED  
 CONTACT PLATING: GOLD  
 QUALITY CLASS: 3 AS PER CECC 75 301-802  
 PITCH: 2.54MM

ENVIRONMENTAL  
 OPERATING TEMPERATURE: -40 UP TO 105°C  
 FLAMABILITY RATING: UL94-V0  
 COMPLIANCE: LEAD FREE AND ROHS

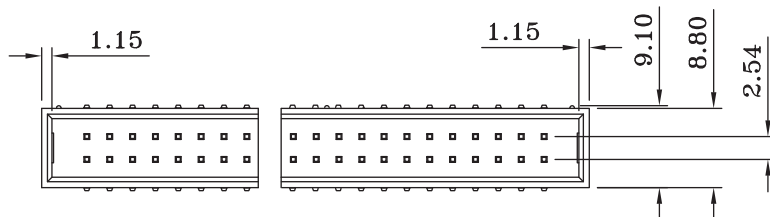
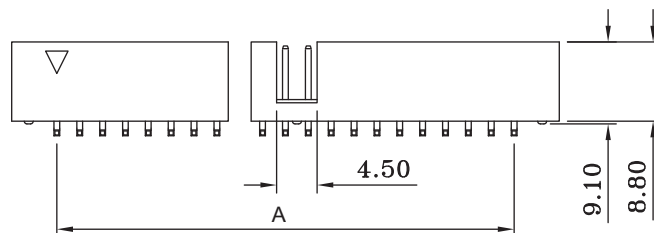
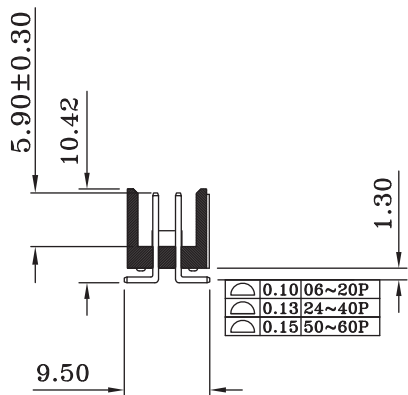
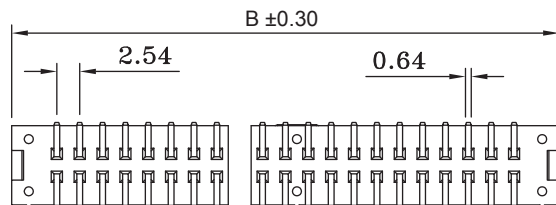
ELECTRICAL  
 CURRENT RATING: 3 A MAX  
 WORKING VOLTAGE: 250 VAC  
 INSULATOR RESISTANCE: >5000 MΩ  
 DIELECTRIC WITHSTANDING VOLTAGE: 1000 VAC/MIN  
 CONTACT RESISTANCE: 20 mOHM MAX

STANDARD  
 CERTIFIED: E323964

SOLDERING  
 JEDEC LEAD FREE REFLOW SOLDERING PROCESS

PACKAGING  
 TUBE

DIMENSION  
 A = 2.54 x (NB PINS/2 - 1)  
 B = (2.54 x NB PINS/2) + 7.5



RoHS Compliant

PROJECTION:



GENERAL TOLERANCE

.X = +/- 0.2  
 .XX = +/- 0.15



APPROVAL: GMo

UNIT: MM

DESCRIPTION: WR-BHD 2.54 MM MALE SMT BOX HEADER

SIZE

AK

SCALE:

WERI PART NO: 612 0xx 206 21

A4

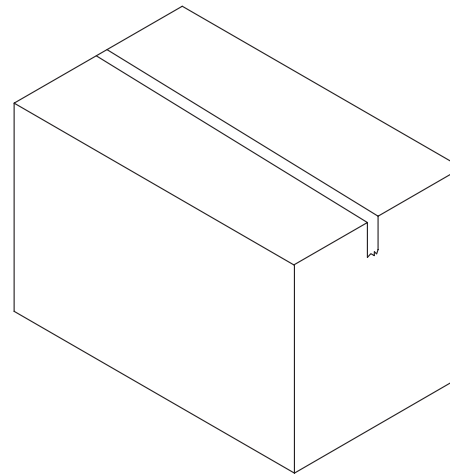
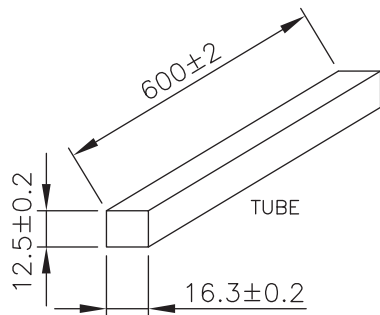
AK

SHEET: 1/3

BY

DRAW: AK

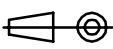
REV	DATE	FILE	BY
H	05-OCT-15	COPLANARITY	AK
I	08-FEB-16	UPDATE	AK
J			



POSITION	PACK TUBE	Q,TY
06P	37	Pcs
08P	32	Pcs
10P	28	Pcs
14P	22	Pcs
16P	21	Pcs
20P	17	Pcs
24P	15	Pcs
26P	14	Pcs
34P	11	Pcs
40P	10	Pcs
50P	7	Pcs
60P	5	Pcs

RoHS Compliant

G			
F			
E			
D			
C			
B			
A			
REV	DATE	FILE	BY

PROJECTION:  


GENERAL TOLERANCE  
 .X = +/- 0.2  
 .XX = +/- 0.15



**WÜRTH ELEKTRONIK**

APPROVAL: Gm0

UNIT: MM  
 SCALE:  
 SHEET: 2/3  
 DRAW: AK

DESCRIPTION: WR-BHD 2.54 MM MALE SMT BOX HEADER  
 WERI PART NO: 612 0xx 206 21

SIZE  
**A4**

1

2

3

4

5

A

B

C

D

1

2

3

4

5

## Cautions and Warnings:

This electronic component is designed and developed with the intention for use in general electronics equipments.

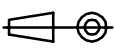

Before incorporating the components into any equipments in the field such as aerospace, aviation, nuclear control, submarine, transportation, (automotive control, train control, ship control), transportation signal, disaster prevention, medical, public information network etc. where higher safety and reliability are especially required or if there is possibility of direct damage or injury to human body, Würth Elektronik must be asked for a written approval.

In addition, even electronic component in general electronic equipments, when used in electrical circuits that require high safety, reliability functions or performance, the sufficient reliability evaluation-check for the safety must be performed before by the user before usage.

A

B

C

RoHS Compliant				PROJECTION: 	GENERAL TOLERANCE .X = +/- 0.2 .XX = +/- 0.15		DESCRIPTION: DISCLAIMER	SIZE <b>A4</b>
G								
F								
E								
D								
C				APPROVAL: JC	UNIT: MM	WERI PART NO: DISCLAIMER	SIZE <b>A4</b>	
B				SCALE:				
A	10-SEP-14	PDF	QL	SHEET: 3/3				
REV	DATE	FILE	BY	DRAW: QL				

D

## X-ON Electronics

Largest Supplier of Electrical and Electronic Components

*Click to view similar products for [Headers & Wire Housings](#) category:*

*Click to view products by [Würth](#) manufacturer:*

Other Similar products are found below :

[892-18-020-10-001101](#) [58102-G61-06LF](#) [582553-1](#) [0009485154](#) [009176003701906](#) [0050291907](#) [LY20-4P-DT1-P1E-BR](#) [02.125.8002.8](#)  
[609-3404](#) [61062-3](#) [61082-181009](#) [622-3653LF](#) [63453-116](#) [636-1030](#) [636-1427](#) [636-3427](#) [636-4007](#) [641938-9](#) [641991-4](#) [644827-2](#) [65817-010LF](#) [65817-015LF](#) [65863-015LF](#) [66207-023LF](#) [67095-007LF](#) [67601157](#) [68645-018](#) [68648-049](#) [70.362.1628.0](#) [70-4210](#) [70-4226B](#) [70-4853B](#) [707-5020](#) [707-5028](#) [71.350.2428.0](#) [71918-208LF](#) [71961-016LF](#) [733-134](#) [733-162](#) [754199-000](#) [760-3052](#) [787-8014-00](#) [79531-3000](#)  
[FCN-360C032-B](#) [FCN-367T-T012/H](#) [FCN-723D010/2](#) [80.063.4001.1](#) [800-90-001-10-001000](#) [800-90-010-10-002000](#) [801-43-002-10-013000](#)