

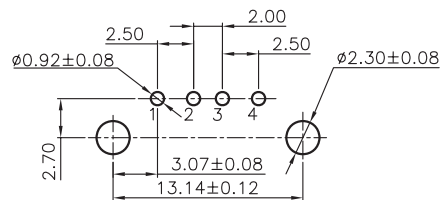
1

2

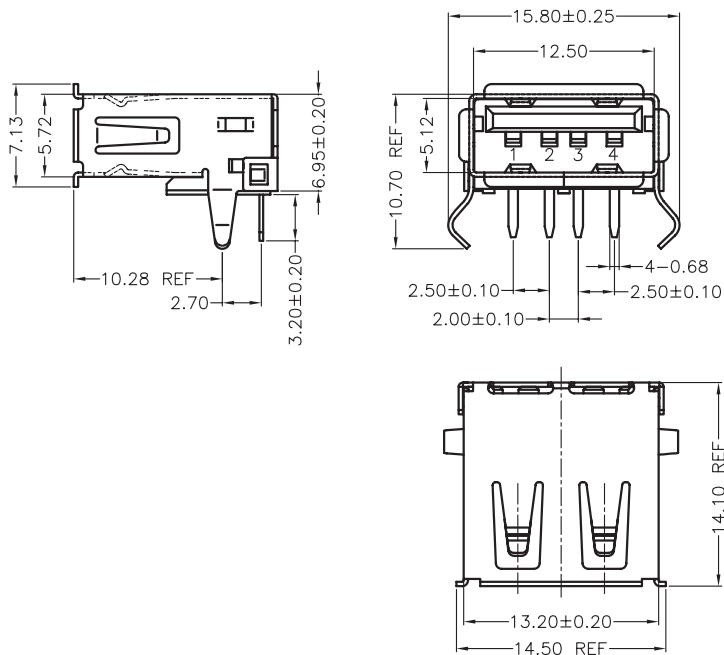
3

4

5



PCB LAYOUT - COMPONENT VIEW



## TECHNICAL CHARACTERISTICS

## MATERIAL

INSULATOR: PBT  
 FLAMMABILITY RATING: UL94-V0  
 COLOR: BLACK  
 CONTACT MATERIAL: COPPER ALLOY  
 CONTACT TYPE: STAMPED  
 CONTACT PLATING: SELECTIVE GOLD  
 SHIELDING: BRASS NI PLATED  
 QUALITY CLASS: 1500 MATING CYCLES

## ENVIRONMENTAL

OPERATING TEMPERATURE: -40°C UP TO +105°C  
 COMPLIANCE: LEAD FREE AND ROHS

## ELECTRICAL

CURRENT RATING: 1.5 A MAX  
 WORKING VOLTAGE: 30 VAC  
 INSULATOR RESISTANCE: >1000 MΩ  
 DIELECTRIC WITHSTANDING VOLTAGE: 750 VAC/MIN  
 CONTACT RESISTANCE: 20 mΩ MAX

## STANDARD

 CERTIFIED: E323964

## SOLDERING

JEDEC LEAD FREE WAVE SOLDERING

## PACKAGING

TRAY

RoHS Compliant

PROJECTION:



GENERAL TOLERANCE

.X =  $\pm 0.2$ .XX =  $\pm 0.15$ 

APPROVAL: NPr

UNIT: MM

SCALE:

SHEET: 1/2

DRAW: QL

DESCRIPTION: USB 2.0 FEMALE R/A A TYPE

WERI PART NO: 614 004 160 211

SIZE

**A4**

A	30-MAR-15	PDF REVIEW	QL
REV	DATE	FILE	BY

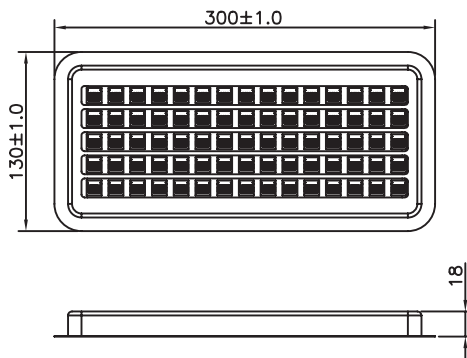
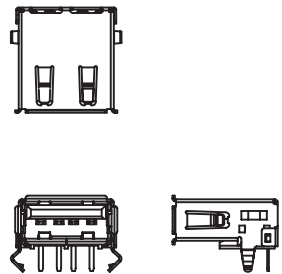
1

2

3

4

5

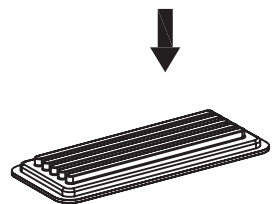


Note:

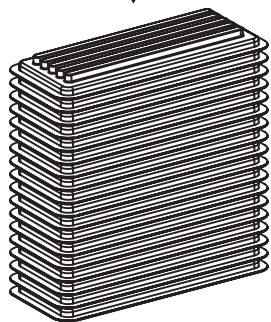
1.Dimension:  
 Tray Size: 300(L)X130(W)X18.0(H) (mm)  
 Carton Size:322X285X350 (mm)

2.Quqntity:  
 60pcs/Tray  
 44Tray/ Carton  
 Q'TY: 2640pcs

3.G.W: 7.12KG/Carton

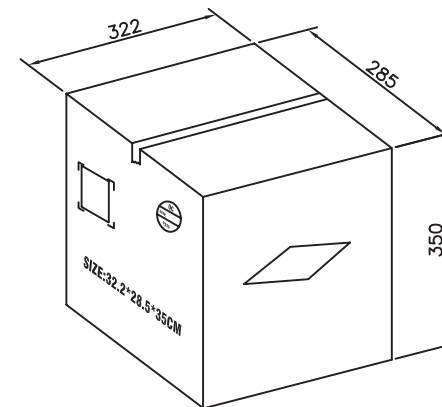
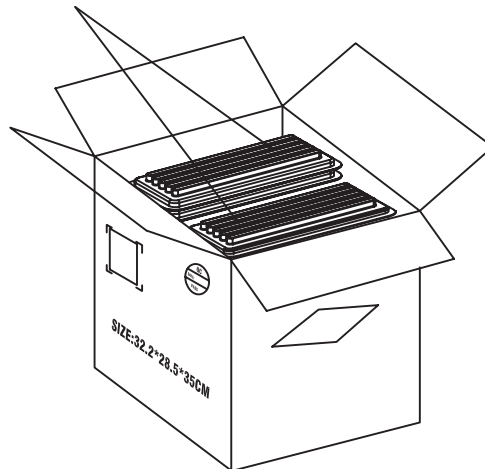


TRAY



22 TRAYS

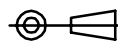
Two Row



CARTON

RoHS Compliant			
G			
F			
E			
D			
C			
B			
A			
REV	DATE	FILE	BY

PROJECTION:



GENERAL TOLERANCE

.X = +/- 0.2  
 .XX = +/- 0.15

APPROVAL: NP

UNIT: MM

SCALE:

SHEET: 2/2

DRAW: QL



DESCRIPTION: USB 2.0 FEMALE R/A A TYPE

WERI PART NO: 614 004 160 21

SIZE

A4

A

B

C

D

## X-ON Electronics

Largest Supplier of Electrical and Electronic Components

*Click to view similar products for [USB Connectors](#) category:*

*Click to view products by [Wurth](#) manufacturer:*

Other Similar products are found below :

[65-647-8-BK-BU](#) [950](#) [952](#) [E8144-B01021-L](#) [A-USB B-TOP-C](#) [MUSBA511N5](#) [MUSBD11135](#) [217450-1](#) [KMBVX-TH-5S-B30](#) [896-30-004-00-000000](#) [KUSBVX-BS1N-W30](#) [KUSBX-AP-KIT-SCBLK](#) [KUSBX-AS2N-W](#) [KUSBX-SMT2AP1S-W](#) [KUSBX-SMT2AP1S-W30](#) [935](#) [957](#) [30-498-6](#) [SK-60A-2](#) [17-210051](#) [1734082-1](#) [30-1574](#) [30-470](#) [30-489](#) [30-541](#) [30-572-3](#) [A-USB A-2P-C](#) [MIKROE-1451](#) [USBFTV2PEM2G](#) [USBFTVC6ZN](#) [KUSBX-AS2N-W30](#) [KUSBX-SLAS1N-W](#) [KUSBX-SMT-AS1N-W30](#) [4689-1](#) [1-1734084-2](#) [E8110-001-01](#) [33UBARS1-04SW11](#) [33UBAR-04SW11](#) [USBF21ZNSCC](#) [USBBFTV6ZC](#) [10135326-001LF](#) [M9177/3-1](#) [USB-A-S-F-B-VT](#) [925](#) [4198](#) [690-024-633-031](#) [KUSBEX-BSFS1N-W](#) [USBFTVC6MRG](#) [UA-20BMFA-SL8001](#) [17-250101](#)