

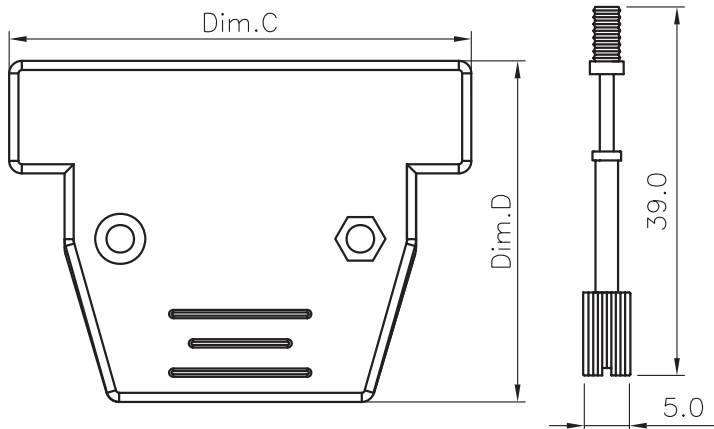
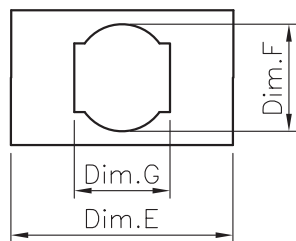
1

2

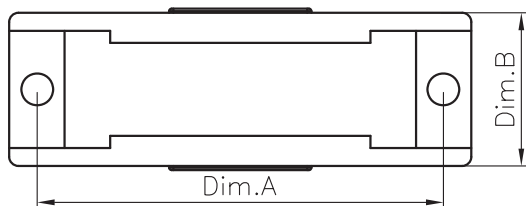
3

4

5



2PCS



## TECHNICAL CHARACTERISTICS

MATERIAL  
INSULATOR: THERMOPLASTIC  
COLOR: BLACK  
SCREWS: UNC 4-40

ENVIRONMENTAL  
FLAMABILITY RATING: UL94-HB  
COMPLIANCE: LEAD FREE AND ROHS

PACKAGING  
BAG

NOTE : TO NOT BE FIT WITH 618 0xx 214 622

## DIMENSION

| NB PIN | A     | B     | C     | D     | E     | F     | G     |
|--------|-------|-------|-------|-------|-------|-------|-------|
| 9      | 25.00 | 18.00 | 31.30 | 29.80 | 14.30 | 9.20  | 11.90 |
| 15     | 33.50 | 18.00 | 43.20 | 37.10 | 18.00 | 10.40 | 12.80 |
| 25     | 47.00 | 18.20 | 55.30 | 41.00 | 25.00 | 11.20 | 14.00 |
| 37     | 63.50 | 18.20 | 70.50 | 48.00 | 33.00 | 14.00 | 15.80 |

RoHS Compliant

PROJECTION:



GENERAL TOLERANCE

.X = +/- 0.2

.XX = +/- 0.15



APPROVAL: NPr

UNIT: MM

SCALE:

SHEET: 1/3

DRAW: AS

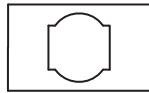
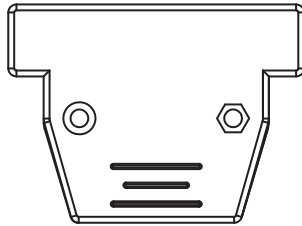
DESCRIPTION: WR-DSUB - METALIZED PLASTIC HOOD TOP ENTRY  
4-40 SCREW

WERI PART NO: 618 0xx 253 22

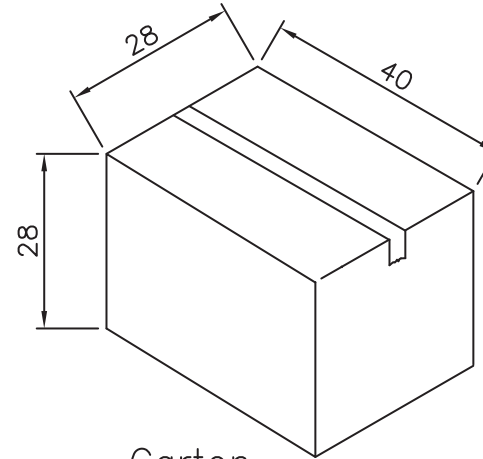
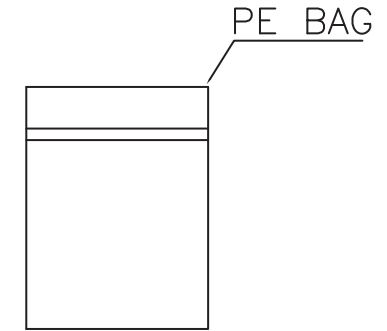
SIZE

**A4**

| REV | DATE      | FILE         | BY |
|-----|-----------|--------------|----|
| A   | 03-NOV-06 | PDF          | JP |
| B   | 30-JAN-13 | NOTE         | QL |
| C   | 20-MAR-13 | FLAMABILITY  | AR |
| D   | 10-NOV-14 | VIEWS+PACKG. | AS |



Note:  
1.Dimension:  
Carton Size:40\*28\*28(cm)

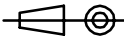


Carton

| Pin. | Pcs/Bag | Pcs/Carton |
|------|---------|------------|
| 9    | 100     | 600        |
| 15   | 100     | 400        |
| 25   | 50      | 300        |
| 37   | 50      | 300        |

RoHS Compliant

|     |           |      |    |
|-----|-----------|------|----|
| G   |           |      |    |
| F   |           |      |    |
| E   |           |      |    |
| D   |           |      |    |
| C   |           |      |    |
| B   |           |      |    |
| A   | 10-NOV-14 | PDF  | AS |
| REV | DATE      | FILE | BY |

PROJECTION:  


GENERAL TOLERANCE  
.X = +/- 0.2  
.XX = +/- 0.15



APPROVAL: NPr

UNIT: MM  
SCALE:  
SHEET: 2/3  
DRAW: AS

DESCRIPTION: WR-DSUB METALIZED PLASTIC HOOD TOP ENTRY  
4-40 SCREW  
WERI PART NO: 618 0xx 253 22

SIZE  
**A4**

1

2

3

4

5

## Cautions and Warnings:

This electronic component is designed and developed with the intention for use in general electronics equipments.

Before incorporating the components into any equipments in the field such as aerospace, aviation, nuclear control, submarine, transportation, (automotive control, train control, ship control), transportation signal, disaster prevention, medical, public information network etc. where higher safety and reliability are especially required or if there is possibility of direct damage or injury to human body, Würth Elektronik must be asked for a written approval.

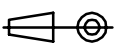

In addition, even electronic component in general electronic equipments, when used in electrical circuits that require high safety, reliability functions or performance, the sufficient reliability evaluation-check for the safety must be performed before by the user before usage.

A

B

C

RoHS Compliant

|     |           |      |    |  |   |   |                   |
|-----|-----------|------|----|--|---|---|-------------------|
| G   |           |      |    | PROJECTION:<br> | GENERAL TOLERANCE<br>.X = +/- 0.2<br>.XX = +/- 0.15 |  |                   |
| F   |           |      |    |  |   |   |                   |
| E   |           |      |    |  |   |   |                   |
| D   |           |      |    |  |   |   |                   |
| C   |           |      |    | APPROVAL: JC   | UNIT: MM  | DESCRIPTION: DISCLAIMER   | SIZE<br><b>A4</b> |
| B   |           |      |    |  | SCALE:  |   |                   |
| A   | 10-SEP-14 | PDF  | QL |  | SHEET: 3/3  | WERI PART NO: DISCLAIMER  |                   |
| REV | DATE      | FILE | BY |  | DRAW: QL  |   |                   |

D

## X-ON Electronics

Largest Supplier of Electrical and Electronic Components

*Click to view similar products for [D-Sub Backshells](#) category:*

*Click to view products by [Wurth](#) manufacturer:*

Other Similar products are found below :

[M85049/6-38N](#) [M85049/86-12N03](#) [M85049/90-13P03](#) [70.350.0636.4](#) [70.350.2435.1](#) [72.350.1035.2](#) [72.352.2435.1](#) [73.359.4035.3](#) [829472-1](#)  
[PCS-E20W](#) [970-015-040R011](#) [970-025-040R011](#) [971-009-030R121](#) [971-009-040R011](#) [971-015-040R011](#) [1437013-9](#) [1484402-8](#) [156-3025-](#)  
[EX](#) [16-500800](#) [165X02659X](#) [165X03329A](#) [165X03399A](#) [165X10259X](#) [165X11759X](#) [165X11889X](#) [165X13019X](#) [165X13029X](#)  
[165X13169X](#) [165X13199X](#) [165X13239X](#) [165X13389X](#) [165X13489X](#) [165X14219X](#) [165X14449X](#) [165X17409X](#) [165X17439X](#)  
[165X17569X](#) [165X17599X](#) [165X17609X](#) [165X17889X](#) [165X17979X](#) [L171373](#) [971-025-030R121](#) [300X10989X](#) [165X02609X](#)  
[165X02639X](#) [165X02689X](#) [165X04219A](#) [165X10469X](#) [165X11279X](#)