

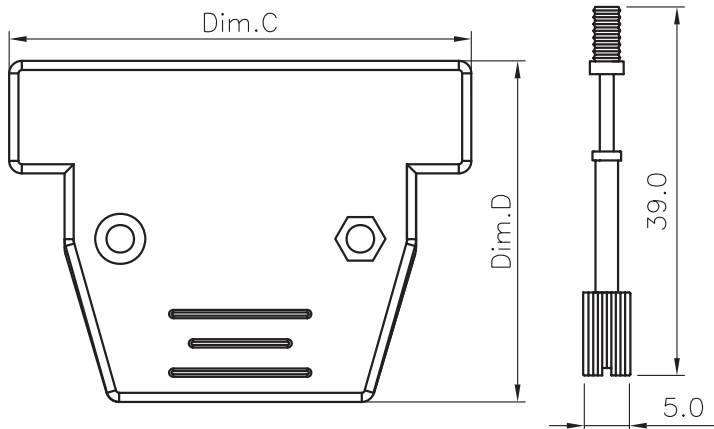
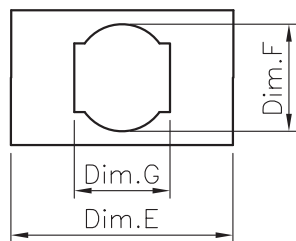
1

2

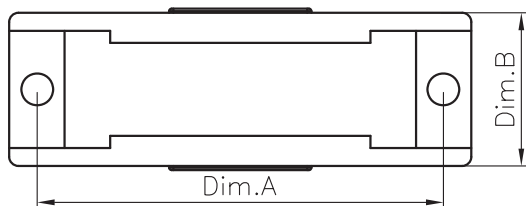
3

4

5



2PCS



TECHNICAL CHARACTERISTICS

MATERIAL
INSULATOR: THERMOPLASTIC
COLOR: BLACK
SCREWS: UNC 4-40

ENVIRONMENTAL
FLAMABILITY RATING: UL94-HB
COMPLIANCE: LEAD FREE AND ROHS

PACKAGING
BAG

NOTE : TO NOT BE FIT WITH 618 0xx 214 622

DIMENSION

NB PIN	A	B	C	D	E	F	G
9	25.00	18.00	31.30	29.80	14.30	9.20	11.90
15	33.50	18.00	43.20	37.10	18.00	10.40	12.80
25	47.00	18.20	55.30	41.00	25.00	11.20	14.00
37	63.50	18.20	70.50	48.00	33.00	14.00	15.80

RoHS Compliant

PROJECTION:



GENERAL TOLERANCE

.X = +/- 0.2

.XX = +/- 0.15



APPROVAL: NPr

UNIT: MM

SCALE:

SHEET: 1/3

DRAW: AS

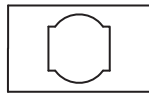
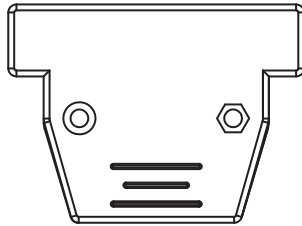
DESCRIPTION: WR-DSUB - METALIZED PLASTIC HOOD TOP ENTRY
4-40 SCREW

WERI PART NO: 618 0xx 253 22

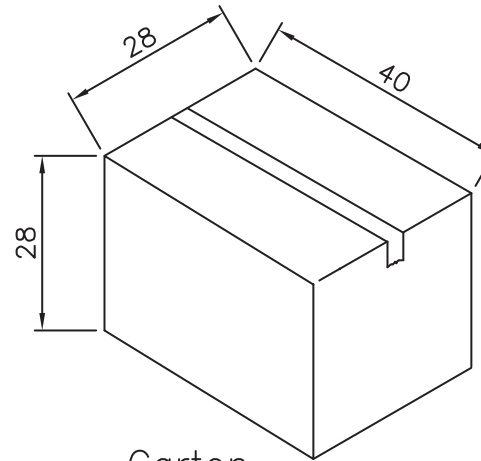
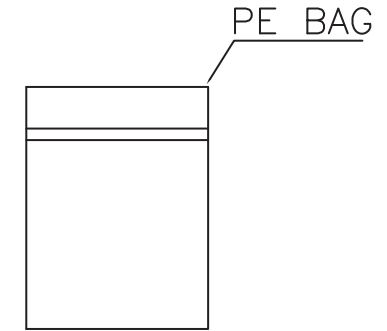
SIZE

A4

REV	DATE	FILE	BY
A	03-NOV-06	PDF	JP
B	30-JAN-13	NOTE	QL
C	20-MAR-13	FLAMABILITY	AR
D	10-NOV-14	VIEWS+PACKG.	AS



Note:
1.Dimension:
Carton Size:40*28*28(cm)



Carton

Pin.	Pcs/Bag	Pcs/Carton
9	100	600
15	100	400
25	50	300
37	50	300

RoHS Compliant

G			
F			
E			
D			
C			
B			
A	10-NOV-14	PDF	AS
REV	DATE	FILE	BY

PROJECTION:

GENERAL TOLERANCE
.X = +/- 0.2
.XX = +/- 0.15



APPROVAL: NPr

UNIT: MM
SCALE:
SHEET: 2/3
DRAW: AS

DESCRIPTION: WR-DSUB METALIZED PLASTIC HOOD TOP ENTRY
4-40 SCREW
WERI PART NO: 618 0xx 253 22

SIZE
A4

1

2

3

4

5

Cautions and Warnings:

This electronic component is designed and developed with the intention for use in general electronics equipments.

Before incorporating the components into any equipments in the field such as aerospace, aviation, nuclear control, submarine, transportation, (automotive control, train control, ship control), transportation signal, disaster prevention, medical, public information network etc. where higher safety and reliability are especially required or if there is possibility of direct damage or injury to human body, Würth Elektronik must be asked for a written approval.

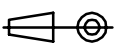

In addition, even electronic component in general electronic equipments, when used in electrical circuits that require high safety, reliability functions or performance, the sufficient reliability evaluation-check for the safety must be performed before by the user before usage.

A

B

C

RoHS Compliant

G				PROJECTION: 	GENERAL TOLERANCE .X = +/- 0.2 .XX = +/- 0.15		
F							
E							
D							
C				APPROVAL: JC	UNIT: MM	DESCRIPTION: DISCLAIMER	SIZE A4
B					SCALE:		
A	10-SEP-14	PDF	QL		SHEET: 3/3	WERI PART NO: DISCLAIMER	
REV	DATE	FILE	BY		DRAW: QL		

D

X-ON Electronics

Largest Supplier of Electrical and Electronic Components

Click to view similar products for [D-Sub Backshells](#) category:

Click to view products by [Wurth](#) manufacturer:

Other Similar products are found below :

[M85049/6-38N](#) [M85049/86-12N03](#) [M85049/90-13P03](#) [70.350.0636.4](#) [70.350.2435.1](#) [72.350.1035.2](#) [72.352.2435.1](#) [73.359.4035.3](#) [829472-1](#)
[PCS-E20W](#) [970-015-040R011](#) [970-025-040R011](#) [971-009-030R121](#) [971-009-040R011](#) [971-015-040R011](#) [1437013-9](#) [1484402-8](#) [156-3025-](#)
[EX](#) [16-500800](#) [165X02659X](#) [165X03329A](#) [165X03399A](#) [165X10259X](#) [165X11759X](#) [165X11889X](#) [165X13019X](#) [165X13029X](#)
[165X13169X](#) [165X13199X](#) [165X13239X](#) [165X13389X](#) [165X13489X](#) [165X14219X](#) [165X14429X](#) [165X14449X](#) [165X17409X](#)
[165X17439X](#) [165X17569X](#) [165X17599X](#) [165X17609X](#) [165X17889X](#) [165X17979X](#) [L171373](#) [971-025-030R121](#) [300X10989X](#)
[165X02609X](#) [165X02639X](#) [165X02689X](#) [165X04219A](#) [165X10469X](#)