

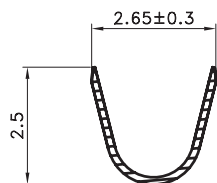
1

2

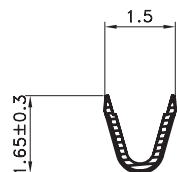
3

4

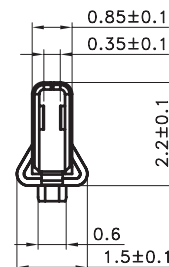
5



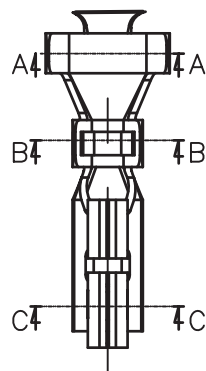
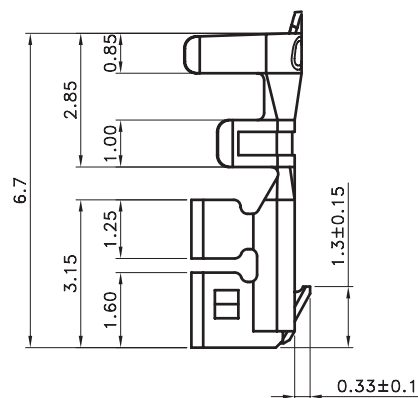
SEC.A-A



SEC.B-B



SEC.C-C



TECHNICAL CHARACTERISTICS

MATERIAL

CONTACT MATERIAL: COPPER ALLOY
 CONTACT TYPE: STAMPED
 CONTACT PLATING: TIN
 QUALITY CLASS: 25 MATING CYCLES
 PITCH: 2.00MM

ENVIRONMENTAL

OPERATING TEMPERATURE: -25 UP TO 85°C
 COMPLIANCE: LEAD FREE AND ROHS

ELECTRICAL

CURRENT RATING: 3 A
 WORKING VOLTAGE: 250 VAC
 CONTACT RESISTANCE: 20 mOHM MAX

WIRE DIMENSION

AWG: AWG 22 - 28

PACKAGING

BULK/LOOSE DELIVERY IN A BAG
 EACH TERMINAL SEPARATED FROM EACH OTHER
 NOT ON A REEL
 100PCS/PER BAG. MULTIPLE OF 100PCS ONLY
 1PC OF 62400113722DEC =1 CRIMP TERMINAL
 SO 1 BAG MEANS 100 PCS OF 62400113722DEC

RoHS Compliant

PROJECTION:



GENERAL TOLERANCE

.X = ± 0.3 .XX = ± 0.2 

APPROVAL: BBu

UNIT: MM

SCALE:

SHEET: 1/3

DRAW: MIKE

DESCRIPTION: 2.00 MM DUAL ROW FEMALE CRIMP TERMINAL

WERI PART NO: 624 001 137 22DEC

SIZE

A4

| | | | | | | | | |
|-----|-----------|----------------|----|---------------|--|---------------------------------|---|-------------------|
| G | | | | | GENERAL TOLERANCE .X = ± 0.3 .XX = ± 0.2 | | DESCRIPTION: 2.00 MM DUAL ROW FEMALE CRIMP TERMINAL | SIZE A4 |
| F | | | | | | | | |
| E | | | | | | | | |
| D | 25-JAN-16 | TPK UPDATE | AK | | | | | |
| C | 06-AUG-13 | CHARACTERISTIC | QL | APPROVAL: BBu | UNIT: MM | WERI PART NO: 624 001 137 22DEC | SIZE A4 | |
| B | 29-JUL-13 | DWG & CARAC | QL | | SCALE: | | | |
| A | 15-MAY-12 | PDF | GG | | SHEET: 1/3 | | | |
| REV | DATE | FILE | BY | | DRAW: MIKE | | | |

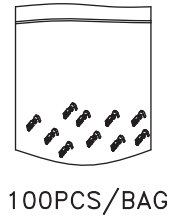
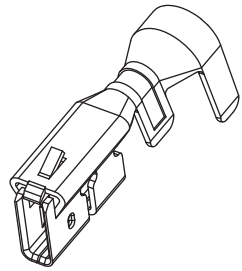
1

2

3

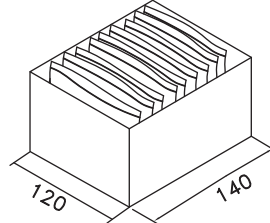
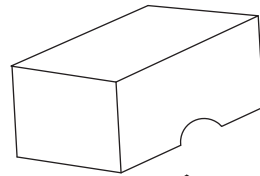
4

5



100PCS/BAG

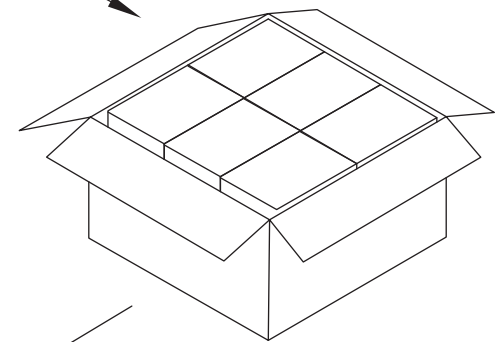
COVER



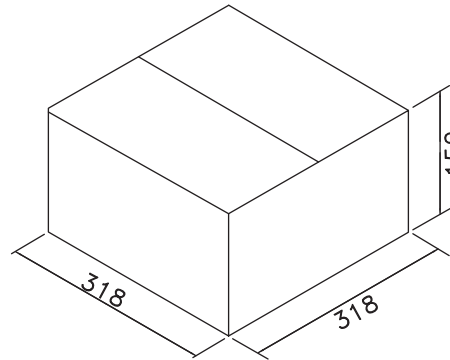
20bags(2kps)/BOX

120

140



12BOXES(24KPCS)/Carton



150

318

318

Note:
Box size: 120*140*60

| | | | |
|----------------|------|------|----|
| RoHS Compliant | | | |
| G | | | |
| F | | | |
| E | | | |
| D | | | |
| C | | | |
| B | | | |
| A | | | |
| REV | DATE | FILE | BY |

PROJECTION:



GENERAL TOLERANCE

.X = +/- 0.2

.XX = +/- 0.15



APPROVAL: BBu

UNIT: MM

SCALE:

SHEET: 2/3

DRAW: MIKE

DESCRIPTION: 2.00MM DUAL ROW FEMALE CRIMP CONTACT TERMINAL

WERI PART NO: 624 001 137 22 DEC

SIZE

A4

A

B

C

D

1

2

3

4

5

Cautions and Warnings:

This electronic component is designed and developed with the intention for use in general electronics equipments.

Before incorporating the components into any equipments in the field such as aerospace, aviation, nuclear control, submarine, transportation, (automotive control, train control, ship control), transportation signal, disaster prevention, medical, public information network etc. where higher safety and reliability are especially required or if there is possibility of direct damage or injury to human body, Würth Elektronik must be asked for a written approval.

In addition, even electronic component in general electronic equipments, when used in electrical circuits that require high safety, reliability functions or performance, the sufficient reliability evaluation-check for the safety must be performed before by the user before usage.

A

B

C

RoHS Compliant

| | | | | | | | |
|-----|-----------|------|----|--|---|---|-------------------|
| G | | | | PROJECTION:  | GENERAL TOLERANCE .X = +/- 0.2 .XX = +/- 0.15 |  | |
| F | | | | | | | |
| E | | | | | | | |
| D | | | | | | | |
| C | | | | APPROVAL: JC | UNIT: MM | DESCRIPTION: DISCLAIMER | SIZE A4 |
| B | | | | | SCALE: | | |
| A | 10-SEP-14 | PDF | QL | | SHEET: 3/3 | WERI PART NO: DISCLAIMER | |
| REV | DATE | FILE | BY | | DRAW: QL | | |

D

X-ON Electronics

Largest Supplier of Electrical and Electronic Components

Click to view similar products for [Headers & Wire Housings](#) category:

Click to view products by [Wurth](#) manufacturer:

Other Similar products are found below :

[892-18-020-10-001101](#) [58102-G61-06LF](#) [582553-1](#) [0009485154](#) [009176003701906](#) [0050291907](#) [LY20-4P-DT1-P1E-BR](#) [02.125.8002.8](#)
[609-3404](#) [61062-3](#) [61082-181009](#) [622-3653LF](#) [63453-116](#) [636-1030](#) [636-1427](#) [636-3427](#) [636-4007](#) [641938-9](#) [641991-4](#) [644827-2](#) [65817-](#)
[010LF](#) [65817-015LF](#) [65863-015LF](#) [66207-023LF](#) [67095-007LF](#) [67601157](#) [68645-018](#) [68648-049](#) [70.362.1628.0](#) [70-4210](#) [70-4226B](#) [70-](#)
[4853B](#) [707-5020](#) [707-5028](#) [71.350.2428.0](#) [71918-208LF](#) [71961-016LF](#) [733-134](#) [733-162](#) [754199-000](#) [760-3052](#) [79531-3000](#) [FCN-](#)
[360C032-B](#) [FCN-367T-T012/H](#) [FCN-723D010/2](#) [80.063.4001.1](#) [800-90-010-10-002000](#) [801-43-002-10-013000](#) [801-43-006-10-002000](#)
[801-93-011-10-001000](#)