

TECHNICAL CHARACTERISTICS

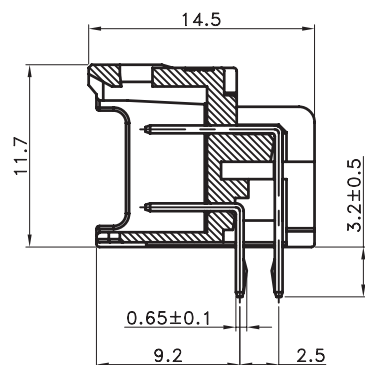
MATERIAL
 INSULATOR: PBT
 FLAMABILITY RATING: UL94-V0
 COLOR: WHITE
 CONTACT MATERIAL: COPPER ALLOY
 CONTACT TYPE: STAMPED
 CONTACT PLATING: TIN
 QUALITY CLASS: 25 MATING CYCLES
 PITCH: 2.00MM

ENVIRONMENTAL
 OPERATING TEMPERATURE: -25 UP TO 85°C
 COMPLIANCE: LEAD FREE AND ROHS

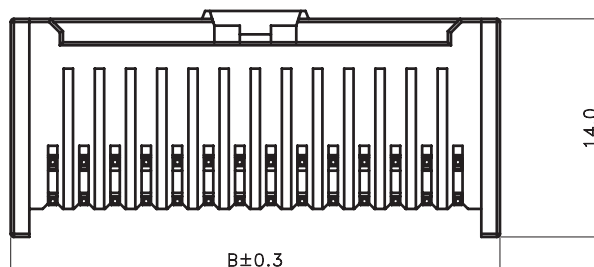
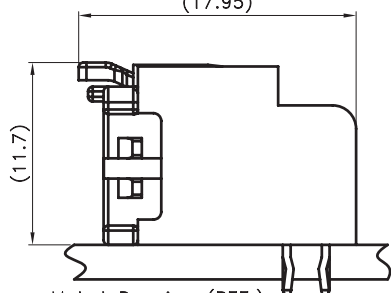
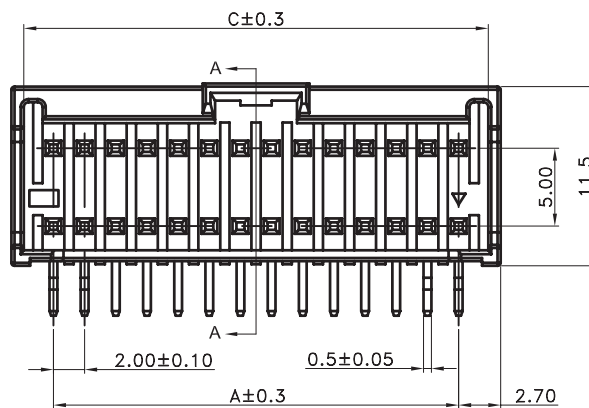
ELECTRICAL
 CURRENT RATING: 3A
 WORKING VOLTAGE: 250V AC
 INSULATOR RESISTANCE: >1000 MOHM
 DIELECTRIC WITHSTANDING VOLTAGE: 1000V AC/MN
 CONTACT RESISTANCE: 20 mOHM MAX

SOLDERING
 SOLDER TEMP.: JEDEC LEAD FREE WAVE SOLDERING

PACKAGING
 TUBE



A-A Section
 (17.95)



Poles	Dimensions (mm)			Poles	Dimensions (mm)		
	A	B	C		A	B	C
4x2	6.0	11.4	9.8	13x2	24.0	29.4	27.8
5x2	8.0	13.4	11.8	14x2	26.0	31.4	29.8
6x2	10.0	15.4	13.8	15x2	28.0	33.4	31.8
7x2	12.0	17.4	15.8	16x2	30.0	35.4	33.8
8x2	14.0	19.4	17.8	17x2	32.0	37.4	35.8
9x2	16.0	21.4	19.8	18x2	34.0	39.4	37.8
10x2	18.0	23.4	21.8	19x2	36.0	41.4	39.8
11x2	20.0	25.4	23.8	20x2	38.0	43.4	41.8
12x2	22.0	27.4	25.8				

G				PROJECTION:	GENERAL TOLERANCE		DESCRIPTION: 2.00 MM DUAL ROW MALE HORIZONTAL SHROUDED HEADER WERI PART NO: 624 0xx 217 22	SIZE A4	
F	25-JAN-16	TPK UPDATE	AK		.X = +/- 0.3				
E	06-DEC-13	P20 QTY UPDATE	QL		.XX = +/- 0.2				
D	27-NOV-13	TPK CORRECTION	QL		APPROVAL: BBu				UNIT: MM
C	06-AUG-13	CHARACTERISTIC	QL		SCALE:				
B	18-JUL-13	TOLERANCE	QL		SHEET: 1/3				
A	15-MAY-12	PDF	GG		DRAW: MIKE				
REV	DATE	FILE	BY						

1

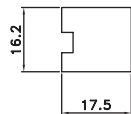
2

3

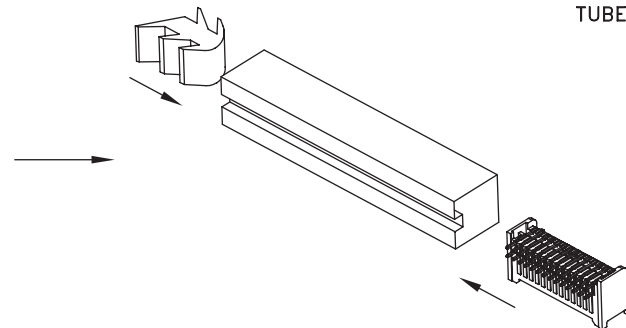
4

5

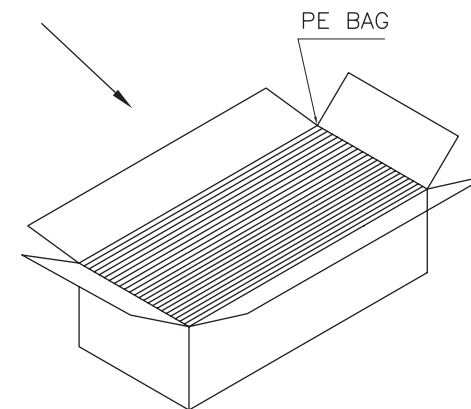
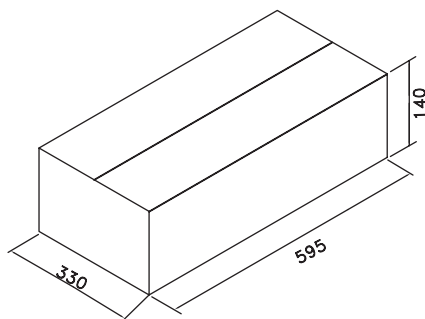
TUBE



TUBE PACKING



CARTON PACKING



Poles	TUBE Quantity (pcs)	CARTON Quantity (pcs)	Poles	TUBE Quantity (pcs)	CARTON Quantity (pcs)	Poles	TUBE Quantity (pcs)	CARTON Quantity (pcs)
4x2	47	6392	10x2	23	3128	16x2	15	2040
5x2	40	5440	11x2	21	2856	17x2	14	1904
6x2	35	4760	12x2	20	2720	18x2	13	1768
7x2	31	4216	13x2	18	2448	19x2	13	1768
8x2	27	3672	14x2	17	2312	20x2	12	1632
9x2	25	3400	15x2	16	2176			

G			
F			
E			
D			
C			
B			
A			
REV	DATE	FILE	BY

PROJECTION:



GENERAL TOLERANCE

.X = +/- 0.2
.XX = +/- 0.15



APPROVAL: BBu

UNIT: MM

SCALE:

SHEET: 2/3

DRAW: MIKE

DESCRIPTION: 2.00MM MALE DUAL ROWS HORIZONTAL SHROUDED HEADER

WERI PART NO: 624 0xx 217 22

SIZE

A4

A

B

C

D

1

2

3

4

5

Cautions and Warnings:

This electronic component is designed and developed with the intention for use in general electronics equipments.

Before incorporating the components into any equipments in the field such as aerospace, aviation, nuclear control, submarine, transportation, (automotive control, train control, ship control), transportation signal, disaster prevention, medical, public information network etc. where higher safety and reliability are especially required or if there is possibility of direct damage or injury to human body, Würth Elektronik must be asked for a written approval.

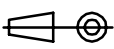

In addition, even electronic component in general electronic equipments, when used in electrical circuits that require high safety, reliability functions or performance, the sufficient reliability evaluation-check for the safety must be performed before by the user before usage.

A

B

C

RoHS Compliant

G				PROJECTION: 	GENERAL TOLERANCE .X = +/- 0.2 .XX = +/- 0.15		
F							
E							
D							
C				APPROVAL: JC	UNIT: MM	DESCRIPTION: DISCLAIMER	SIZE A4
B					SCALE:		
A	10-SEP-14	PDF	QL		SHEET: 3/3	WERI PART NO: DISCLAIMER	
REV	DATE	FILE	BY		DRAW: QL		

D

X-ON Electronics

Largest Supplier of Electrical and Electronic Components

Click to view similar products for [Headers & Wire Housings](#) category:

Click to view products by [Wurth](#) manufacturer:

Other Similar products are found below :

[892-18-020-10-001101](#) [58102-G61-06LF](#) [582553-1](#) [0009485154](#) [009176003701906](#) [0050291907](#) [LY20-4P-DT1-P1E-BR](#) [02.125.8002.8](#)
[609-3404](#) [61062-3](#) [61082-181009](#) [622-3653LF](#) [63453-116](#) [636-1030](#) [636-1427](#) [636-3427](#) [636-4007](#) [641938-9](#) [641991-4](#) [644827-2](#) [65817-](#)
[010LF](#) [65817-015LF](#) [65863-015LF](#) [66207-023LF](#) [67095-007LF](#) [67601157](#) [68645-018](#) [68648-049](#) [70.362.1628.0](#) [70-4210](#) [70-4226B](#) [70-](#)
[4853B](#) [707-5020](#) [707-5028](#) [71.350.2428.0](#) [71918-208LF](#) [71961-016LF](#) [733-134](#) [733-162](#) [754199-000](#) [760-3052](#) [79531-3000](#) [FCN-](#)
[360C032-B](#) [FCN-367T-T012/H](#) [FCN-723D010/2](#) [80.063.4001.1](#) [800-90-001-10-001000](#) [800-90-010-10-002000](#) [801-43-002-10-013000](#)
[801-43-006-10-002000](#)