

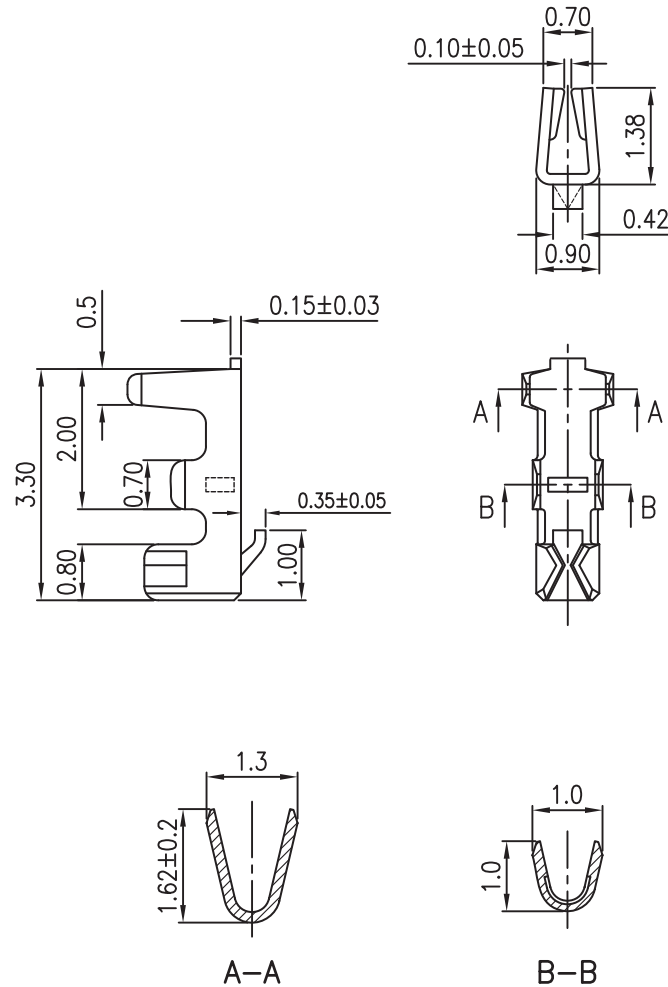
1

2

3

4

5



TECHNICAL CHARACTERISTICS

MATERIAL

CONTACT MATERIAL: COPPER ALLOY
CONTACT TYPE: STAMPED
CONTACT PLATING: TIN
QUALITY CLASS: 25 MATING CYCLES

ENVIRONMENTAL

OPERATING TEMPERATURE: -40 UP TO 85°C
COMPLIANCE: LEAD FREE AND ROHS

ELECTRICAL

CURRENT RATING: 1 A
WORKING VOLTAGE: 125 VAC
CONTACT RESISTANCE: 20 mOHM MAX

WIRE DIMENSION

AWG: 28 - 30

PACKAGING

BULK/LOOSE DELIVERY IN A BAG
EACH CONTACT SEPARATED FROM EACH OTHER
NOT ON A REEL
100PCS/PER BAG. MULTIPLE OF 100PCS ONLY
1PCS OF 65300113722DEC=1 CRIMP CONTACT
SO 1 BAG MEANS 100 PCS OF 65300113722DEC

RoHS Compliant

PROJECTION:



GENERAL TOLERANCE

.X = ± 0.2

.XX = ± 0.15



APPROVAL: BBu

UNIT: MM

DESCRIPTION: 1.25 MM FEMALE TERMINAL CRIMP CONTACT

SIZE

SCALE:

WERI PART NO: 653 001 137 22 DEC

A4

SHEET: 1/3

DRAW: MIKE

G			
F			
E	08-AUG-17	TPK	AK
D	14-SEP-16	TPK	AK
C	19-NOV-15	WORKING VOLTAGE	AK
B	03-AUG-15	UPDATE	AK
A	12-MAY-10	PDF	JP
REV	DATE	FILE	BY

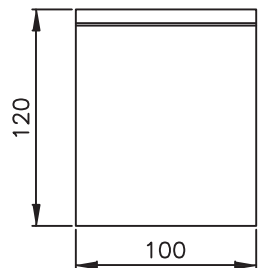
1

2

3

4

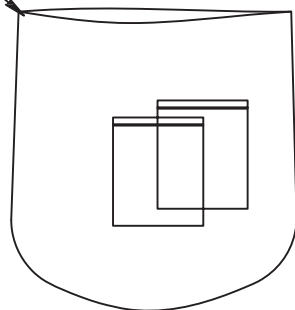
5



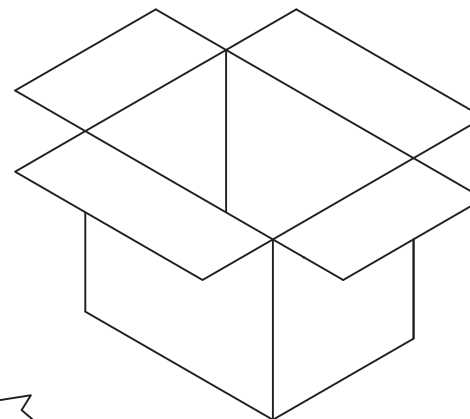
Packing Quantity: 100 pcs/Bag



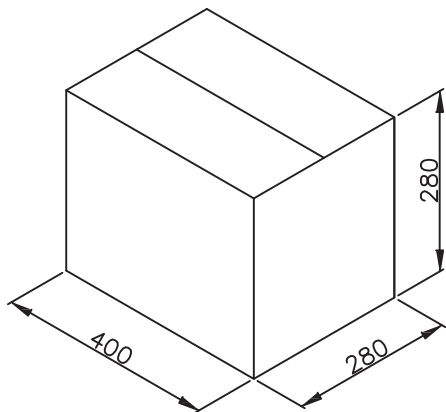
PE bag



100 Bag/PE Bag
PE Bag: 900*900*0.06



Packing Quantity: 900 Bag/Carton
90Kpcd/Carton



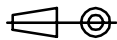
A

B

C

RoHS Compliant

PROJECTION:



GENERAL TOLERANCE

.X = +/- 0.2

.XX = +/- 0.15



APPROVAL: BBu

UNIT: MM

SCALE:

SHEET: 2/3

DRAW: MIKE

DESCRIPTION: 1.25 MM FEMALE TERMINAL CRIMP CONTACT

WERI PART NO: 653 001 137 22 DEC

SIZE

A4

D

G			
F			
E			
D			
C			
B			
A			
REV	DATE	FILE	BY

1

2

3

4

5

Cautions and Warnings:

This electronic component is designed and developed with the intention for use in general electronics equipments.

Before incorporating the components into any equipments in the field such as aerospace, aviation, nuclear control, submarine, transportation, (automotive control, train control, ship control), transportation signal, disaster prevention, medical, public information network etc. where higher safety and reliability are especially required or if there is possibility of direct damage or injury to human body, Würth Elektronik must be asked for a written approval.

In addition, even electronic component in general electronic equipments, when used in electrical circuits that require high safety, reliability functions or performance, the sufficient reliability evaluation-check for the safety must be performed before by the user before usage.

A

B

C

RoHS Compliant

G				PROJECTION: 	GENERAL TOLERANCE .X = +/- 0.2 .XX = +/- 0.15	 WÜRTH ELEKTRONIK	
F							
E							
D							
C				APPROVAL: JC	UNIT: MM	DESCRIPTION: DISCLAIMER	SIZE A4
B					SCALE:		
A	10-SEP-14	PDF	QL		SHEET: 3/3	WERI PART NO: DISCLAIMER	
REV	DATE	FILE	BY		DRAW: QL		

D

X-ON Electronics

Largest Supplier of Electrical and Electronic Components

Click to view similar products for [Headers & Wire Housings](#) category:

Click to view products by [Wurth](#) manufacturer:

Other Similar products are found below :

[892-18-020-10-001101](#) [58102-G61-06LF](#) [582553-1](#) [0009485154](#) [009176003701906](#) [0050291907](#) [LY20-4P-DT1-P1E-BR](#) [02.125.8002.8](#)
[609-3404](#) [61062-3](#) [61082-181009](#) [622-3653LF](#) [63453-116](#) [636-1030](#) [636-1427](#) [636-3427](#) [636-4007](#) [641938-9](#) [641991-4](#) [644827-2](#) [65817-](#)
[010LF](#) [65817-015LF](#) [65863-015LF](#) [66207-023LF](#) [67095-007LF](#) [67601157](#) [68645-018](#) [68648-049](#) [70.362.1628.0](#) [70-4210](#) [70-4226B](#) [70-](#)
[4853B](#) [707-5020](#) [707-5028](#) [71.350.2428.0](#) [71918-208LF](#) [71961-016LF](#) [733-134](#) [733-162](#) [754199-000](#) [760-3052](#) [79531-3000](#) [FCN-](#)
[360C032-B](#) [FCN-367T-T012/H](#) [FCN-723D010/2](#) [80.063.4001.1](#) [800-90-001-10-001000](#) [800-90-010-10-002000](#) [801-43-002-10-013000](#)
[801-43-006-10-002000](#)