

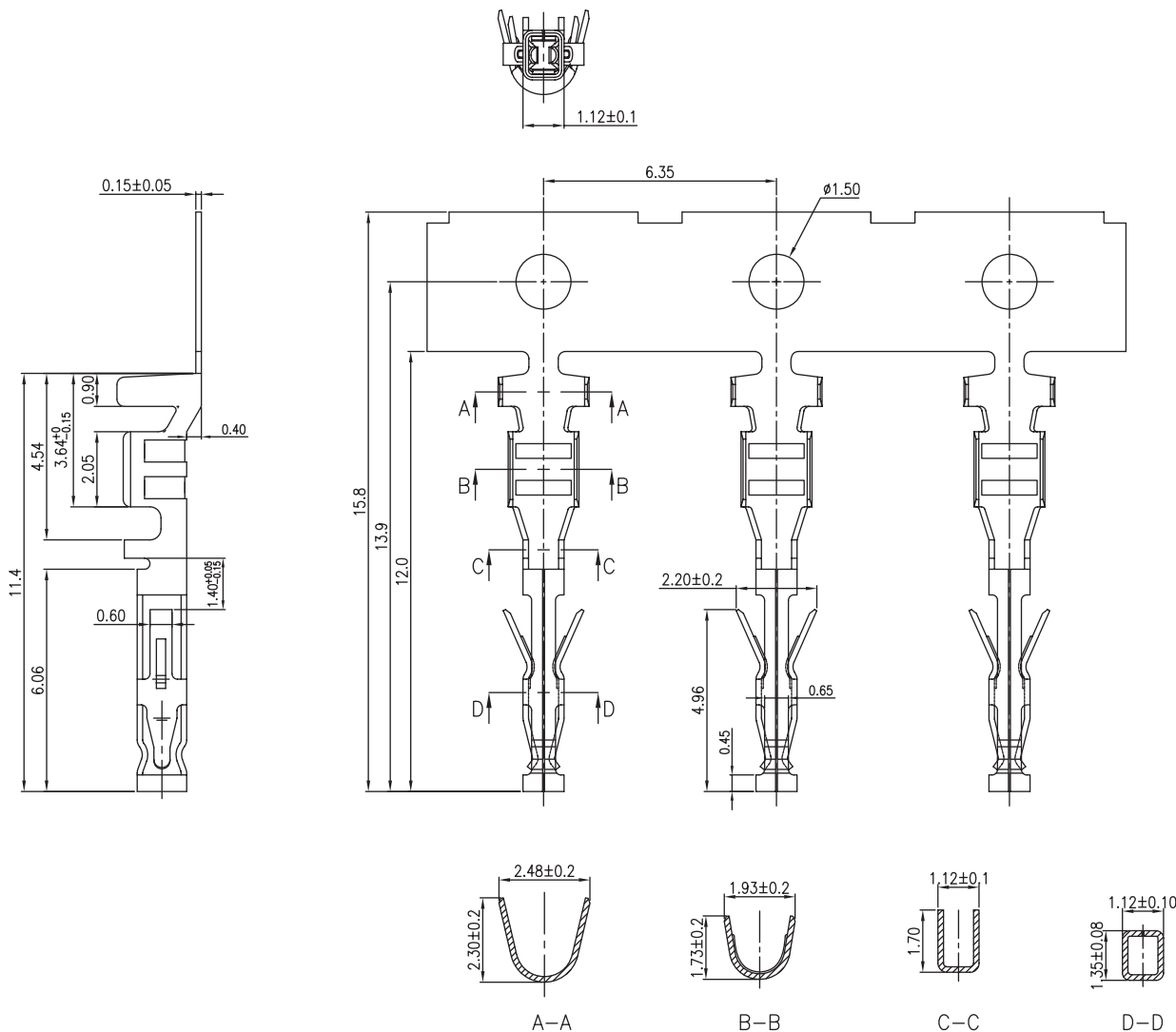
1

2

3

4

5



TECHNICAL CHARACTERISTICS

MATERIAL

CONTACT MATERIAL: COPPER ALLOY
CONTACT TYPE: STAMPED
CONTACT PLATING: TIN
QUALITY CLASS: 25 MATING CYCLES
PITCH: FOR 3.00MM

ENVIRONMENTAL

OPERATING TEMPERATURE: -25 UP TO 105°C
COMPLIANCE: LEAD FREE AND ROHS

ELECTRICAL

CURRENT RATING: 5A
WORKING VOLTAGE: 250 VAC
INSULATOR RESISTANCE: >1000 MOHM
DIELECTRIC WITHSTANDING VOLTAGE: 1000 VAC/MN
CONTACT RESISTANCE: 10 MOHM MAX

WIRE DIMENSION

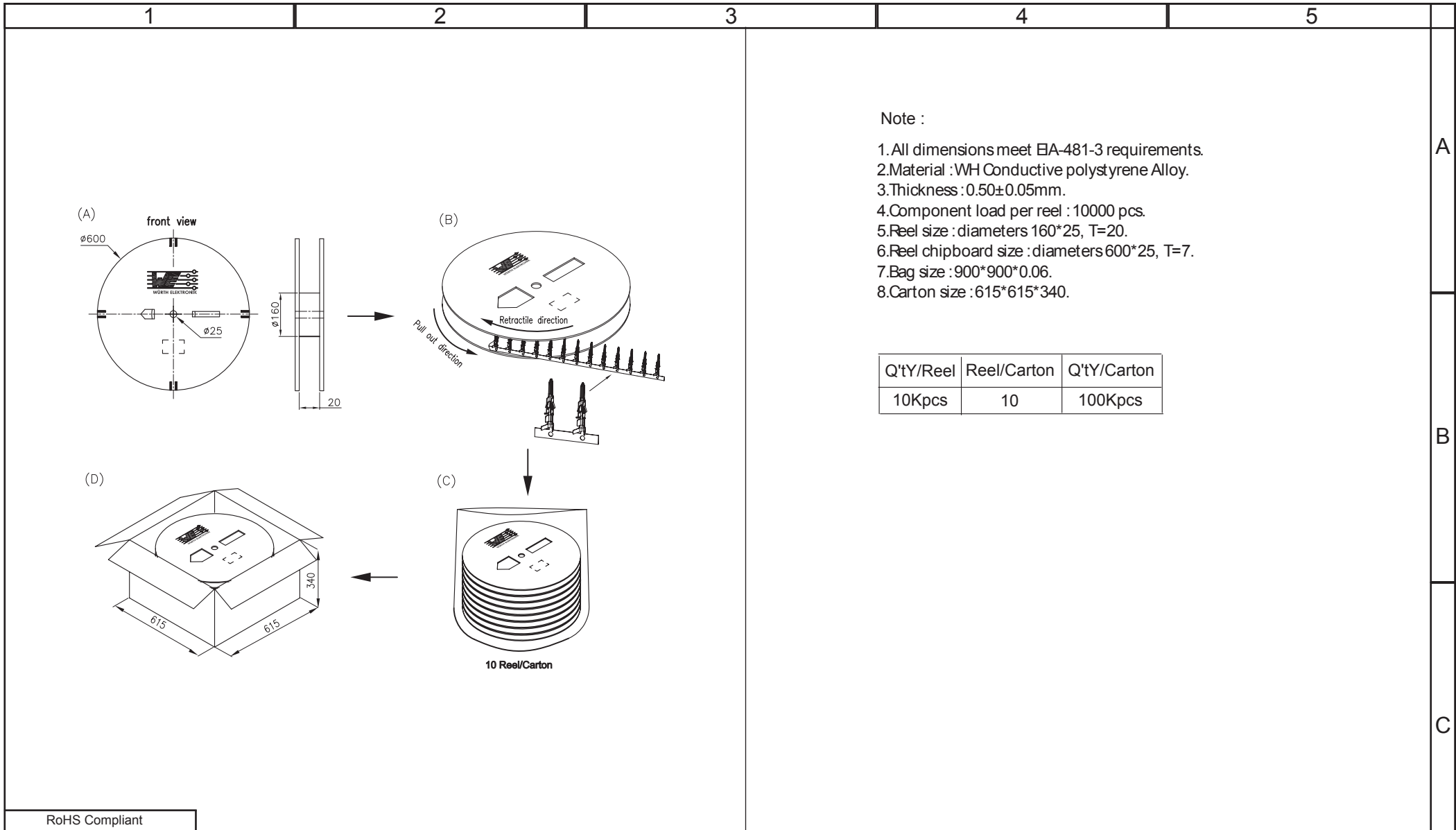
AWG: AWG 20 - 24

PACKAGING

REEL OF 10KPCS

RoHS Compliant

G				PROJECTION: 	GENERAL TOLERANCE .X = \pm 0.2 .XX = \pm 0.15	
F						
E						
D						
C			APPROVAL: BBu	UNIT: MM	DESCRIPTION: 3.00MM FEMALE CRIMP TERMINAL LOW FORCE	SIZE
B	01-SEP-16	RESISTANCE	AK	SCALE:		A4
A	02-NOV-11	PDF	GG	SHEET: 1/3	WERI PART NO: 662 003 137 22	
REV	DATE	FILE	BY	DRAW: MIKE		




Note :

1. All dimensions meet EIA-481-3 requirements.
2. Material : WH Conductive polystyrene Alloy.
3. Thickness : 0.50 ± 0.05 mm.
4. Component load per reel : 10000 pcs.
5. Reel size : diameters 160*25, T=20.
6. Reel chipboard size : diameters 600*25, T=7.
7. Bag size : 900*900*0.06.
8. Carton size : 615*615*340.

Q'tY/Reel	Reel/Carton	Q'tY/Carton
10Kpcs	10	100Kpcs

RoHS Compliant

G			
F			
E			
D			
C			
B			
A			
REV	DATE	FILE	BY

PROJECTION:


GENERAL TOLERANCE
 .X = ± 0.2
 .XX = ± 0.15



APPROVAL: BBu

UNIT: MM
 SCALE:
 SHEET: 2/3
 DRAW: MIKE

DESCRIPTION: 3.00MM FEMALE CRIMP TERMINAL LOW FORCE
 WERI PART NO: 662 003 137 22

SIZE
A4

1

2

3

4

5

Cautions and Warnings:

This electronic component is designed and developed with the intention for use in general electronics equipments.

Before incorporating the components into any equipments in the field such as aerospace, aviation, nuclear control, submarine, transportation, (automotive control, train control, ship control), transportation signal, disaster prevention, medical, public information network etc. where higher safety and reliability are especially required or if there is possibility of direct damage or injury to human body, Würth Elektronik must be asked for a written approval.

In addition, even electronic component in general electronic equipments, when used in electrical circuits that require high safety, reliability functions or performance, the sufficient reliability evaluation-check for the safety must be performed before by the user before usage.

A

B

C

RoHS Compliant				PROJECTION: 	GENERAL TOLERANCE .X = +/- 0.2 .XX = +/- 0.15		DESCRIPTION: DISCLAIMER	SIZE A4
G								
F								
E								
D								
C				APPROVAL: JC	UNIT: MM	WERI PART NO: DISCLAIMER	SIZE A4	
B					SCALE:			
A	10-SEP-14	PDF	QL		SHEET: 3/3			
REV	DATE	FILE	BY		DRAW: QL			

D

X-ON Electronics

Largest Supplier of Electrical and Electronic Components

Click to view similar products for [Headers & Wire Housings](#) category:

Click to view products by [Würth](#) manufacturer:

Other Similar products are found below :

[892-18-020-10-001101](#) [58102-G61-06LF](#) [582553-1](#) [0009485154](#) [009176003701906](#) [0050291907](#) [LY20-4P-DT1-P1E-BR](#) [02.125.8002.8](#)
[609-3404](#) [61062-3](#) [61082-181009](#) [622-3653LF](#) [63453-116](#) [636-1030](#) [636-1427](#) [636-3427](#) [636-4007](#) [641938-9](#) [641991-4](#) [644827-2](#) [65817-](#)
[010LF](#) [65817-015LF](#) [65863-015LF](#) [66207-023LF](#) [67095-007LF](#) [67601157](#) [68645-018](#) [68648-049](#) [70.362.1628.0](#) [70-4210](#) [70-4226B](#) [70-](#)
[4853B](#) [707-5020](#) [707-5028](#) [71.350.2428.0](#) [71918-208LF](#) [71961-016LF](#) [733-134](#) [733-162](#) [754199-000](#) [760-3052](#) [787-8014-00](#) [79531-3000](#)
[FCN-360C032-B](#) [FCN-367T-T012/H](#) [FCN-723D010/2](#) [80.063.4001.1](#) [800-90-001-10-001000](#) [800-90-010-10-002000](#) [801-43-002-10-013000](#)