

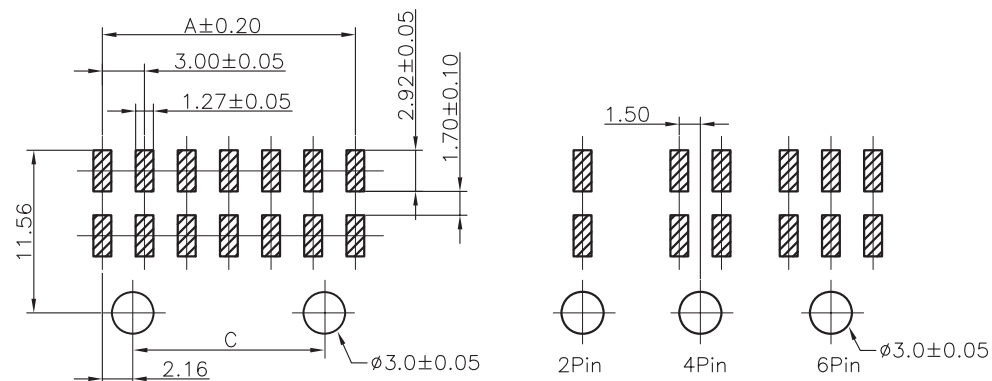
1

2

3

4

5



PCB LAYOUT - COMPONENT VIEW

TECHNICAL CHARACTERISTICS

MATERIAL
 INSULATOR: LCP
 FLAMMABILITY RATING: UL94-V0
 COLOR: BLACK
 CONTACT MATERIAL: COPPER ALLOY
 CONTACT TYPE: STAMPED
 CONTACT PLATING: TIN
 QUALITY CLASS: 25 MATING CYCLES
 PITCH: 3.00MM

ENVIRONMENTAL
 OPERATING TEMPERATURE: -40 UP TO 105°C
 COMPLIANCE: LEAD FREE AND ROHS

ELECTRICAL
 CURRENT RATING: 5A
 WORKING VOLTAGE: 250V AC
 INSULATOR RESISTANCE: >1000 MOHM
 DIELECTRIC WITHSTANDING VOLTAGE: 1500V AC/MN
 CONTACT RESISTANCE: 10 mOHM MAX

STANDARD

CERTIFIED: E323964

SOLDERING

JEDEC LEAD FREE REFLOW SOLDERING PROCESS

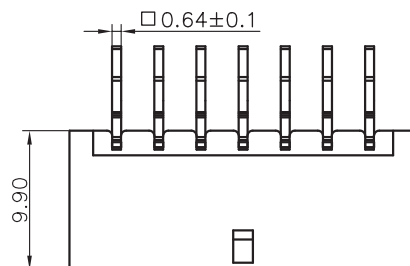
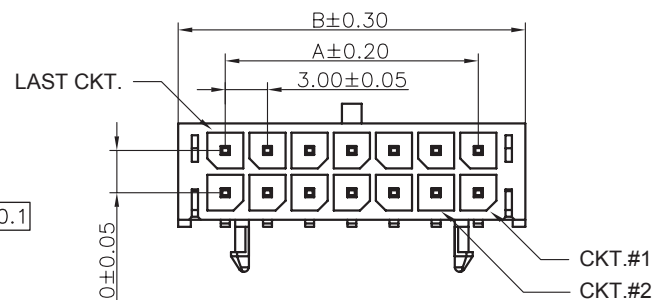
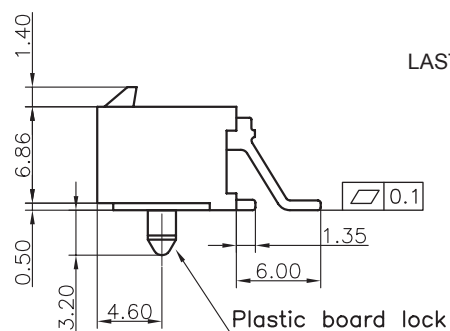
PACKAGING

TUBE

DIMENSION

A = 3.00 x (NB. PIN / 2 - 1)
 B = 3.00 x (NB. PIN / 2 + 1) + 0.70

| NB. PIN | C | NB. PIN | C |
|---------|-------|---------|-------|
| 2 to 6 | - | 16 | 16.68 |
| 8 | 4.68 | 18 | 19.68 |
| 10 | 7.68 | 20 | 22.68 |
| 12 | 10.68 | 22 | 25.68 |
| 14 | 13.68 | 24 | 28.68 |



RoHS Compliant

| REV | DATE | FILE | BY |
|-----|-----------|-------------|----|
| M | 04-NOV-16 | PCN | AK |
| L | 22-MAR-16 | TPK | AK |
| K | 07-MAR-16 | COPLANARITY | AK |
| J | 02-JUL-15 | PINNING | AK |
| I | 19-JAN-15 | PROJECTION | QP |
| H | 29-JUL-13 | DWG & CARAC | QL |

PROJECTION:



APPROVAL: BBu

GENERAL TOLERANCE

.X = ± 0.2 .XX = ± 0.15 

UNIT: MM

SCALE:

SHEET: 1/3

DRAW: JACK

DESCRIPTION: 3.00MM MALE DUAL ROW SMT RIGHT ANGLE HEADER
 WITH PLASTIC PEGS

WERI PART NO: 662 0xx 236 022

SIZE

A4

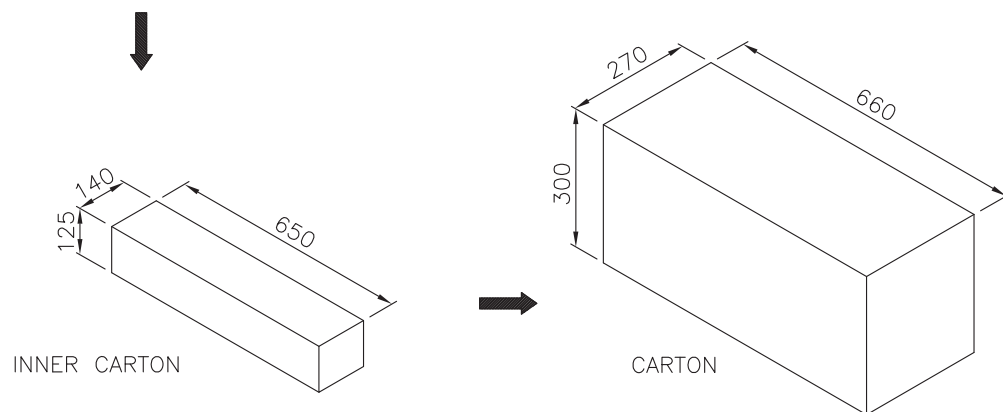
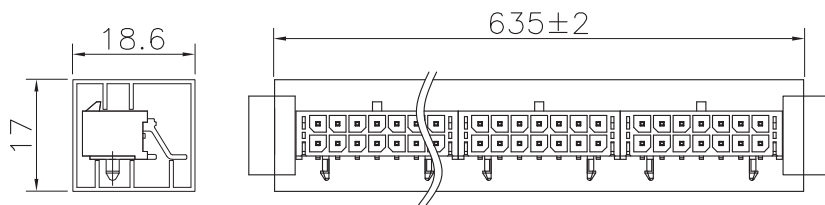
1

2

3

4

5



| CIRCUITS | PCS/Tube | Tube/Carton | PCS/Carton | PCS/Carton2 |
|----------|----------|-------------|------------|-------------|
| 02 | 91 | 42 | 3822 | 15288 |
| 04 | 63 | 42 | 2646 | 10584 |
| 06 | 48 | 42 | 2016 | 8064 |
| 08 | 38 | 42 | 1596 | 6384 |
| 10 | 32 | 42 | 1344 | 5376 |
| 12 | 28 | 42 | 1176 | 4704 |
| 14 | 24 | 42 | 1008 | 4032 |
| 16 | 22 | 42 | 924 | 3696 |
| 18 | 20 | 42 | 840 | 3360 |
| 20 | 18 | 42 | 756 | 3024 |
| 22 | 16 | 42 | 672 | 2688 |
| 24 | 15 | 42 | 630 | 2520 |

RoHS Compliant

PROJECTION:



GENERAL TOLERANCE

.X = ± 0.2 .XX = ± 0.15 

APPROVAL: BBu

UNIT: MM

SCALE:

SHEET: 2/3

DRAW: JACK

DESCRIPTION: 3.00MM MALE DUAL ROW SMT RIGHT ANGLE HEADER
WITH PLASTIC PEGS

WERI PART NO: 662 0xx 236 022

SIZE

A4

REV

DATE

FILE

BY

1

2

3

4

5

Cautions and Warnings:

This electronic component is designed and developed with the intention for use in general electronics equipments.

Before incorporating the components into any equipments in the field such as aerospace, aviation, nuclear control, submarine, transportation, (automotive control, train control, ship control), transportation signal, disaster prevention, medical, public information network etc. where higher safety and reliability are especially required or if there is possibility of direct damage or injury to human body, Würth Elektronik must be asked for a written approval.

In addition, even electronic component in general electronic equipments, when used in electrical circuits that require high safety, reliability functions or performance, the sufficient reliability evaluation-check for the safety must be performed before by the user before usage.

A

B

C

RoHS Compliant

| | | | | | | | |
|-----|-----------|------|----|--|---|---|-------------------|
| G | | | | PROJECTION:  | GENERAL TOLERANCE .X = +/- 0.2 .XX = +/- 0.15 |  | |
| F | | | | | | | |
| E | | | | | | | |
| D | | | | | | | |
| C | | | | APPROVAL: JC | UNIT: MM | DESCRIPTION: DISCLAIMER | SIZE A4 |
| B | | | | | SCALE: | | |
| A | 10-SEP-14 | PDF | QL | | SHEET: 3/3 | WERI PART NO: DISCLAIMER | |
| REV | DATE | FILE | BY | | DRAW: QL | | |

D

X-ON Electronics

Largest Supplier of Electrical and Electronic Components

Click to view similar products for [Headers & Wire Housings](#) category:

Click to view products by [Wurth](#) manufacturer:

Other Similar products are found below :

[892-18-020-10-001101](#) [58102-G61-06LF](#) [582553-1](#) [0009485154](#) [009176003701906](#) [0050291907](#) [LY20-4P-DT1-P1E-BR](#) [02.125.8002.8](#)
[609-3404](#) [61062-3](#) [61082-181009](#) [622-3653LF](#) [63453-116](#) [636-1030](#) [636-1427](#) [636-3427](#) [636-4007](#) [641938-9](#) [641991-4](#) [644827-2](#) [65817-](#)
[010LF](#) [65817-015LF](#) [65863-015LF](#) [66207-023LF](#) [67095-007LF](#) [67601157](#) [68645-018](#) [68648-049](#) [70.362.1628.0](#) [70-4210](#) [70-4226B](#) [70-](#)
[4853B](#) [707-5020](#) [707-5028](#) [71.350.2428.0](#) [71918-208LF](#) [71961-016LF](#) [733-134](#) [733-162](#) [754199-000](#) [760-3052](#) [79531-3000](#) [FCN-](#)
[360C032-B](#) [FCN-367T-T012/H](#) [FCN-723D010/2](#) [80.063.4001.1](#) [800-90-010-10-002000](#) [801-43-002-10-013000](#) [801-43-006-10-002000](#)
[801-93-011-10-001000](#)