

**TECHNICAL CHARACTERISTICS**

**MATERIAL**  
 INSULATOR: LCP  
 FLAMMABILITY RATING: UL94-V0  
 COLOR: BLACK  
 CONTACT MATERIAL: COPPER ALLOY  
 CONTACT TYPE: STAMPED  
 CONTACT PLATING: TIN  
 QUALITY CLASS: 25 MATING CYCLES  
 PITCH: 3.00MM

**ENVIRONMENTAL**  
 OPERATING TEMPERATURE: -40 UP TO 105°C  
 COMPLIANCE: LEAD FREE AND ROHS

**ELECTRICAL**  
 CURRENT RATING: 5A  
 WORKING VOLTAGE: 250V AC  
 INSULATOR RESISTANCE: >1000 MOHM  
 DIELECTRIC WITHSTANDING VOLTAGE: 1500V AC/MN  
 CONTACT RESISTANCE: 10 mOHM MAX

**STANDARD**  
 CERTIFIED: E323964

**SOLDERING**  
 JEDEC LEAD FREE REFLOW SOLDERING PROCESS

**PACKAGING**  
 TRAY

**DIMENSION**  
 A = 3.00 x (NB. PIN / 2 - 1)  
 B = 3.00 x (NB. PIN / 2 + 1) + 0.70

|                |             |             |    |
|----------------|-------------|-------------|----|
| RoHS Compliant |             |             |    |
| K              | 04-NOV-16   | PCN         | AK |
| J              | 07-MAR-16   | COPLANARITY | AK |
| I              | 02-JUL-15   | PINNING     | AK |
| H              | 20-JAN-2015 | PROJECTION  | QP |
| REV            | DATE        | FILE        | BY |

|  |  |  |  |
|--|--|--|--|
|  |  |  |  |
|  |  |  |  |
|  |  |  |  |
|  |  |  |  |
|  |  |  |  |
|  |  |  |  |

|               |
|---------------|
| PROJECTION:   |
|               |
| APPROVAL: BBu |

|                   |
|-------------------|
| GENERAL TOLERANCE |
| .X = +/- 0.2      |
| .XX = +/- 0.15    |
| UNIT: MM          |
| SCALE:            |
| SHEET: 1/3        |
| DRAW: PEARL       |

|  |  |
|--|--|
|  |  |
| <b>DESCRIPTION: 3.00MM MALE DUAL ROW SMT RIGHT ANGLE HEADER SMT SOLDER TAB</b> |  |
| <b>WERI PART NO: 662 0xx 231 722</b>   |  |

|           |
|-----------|
| SIZE      |
| <b>A4</b> |

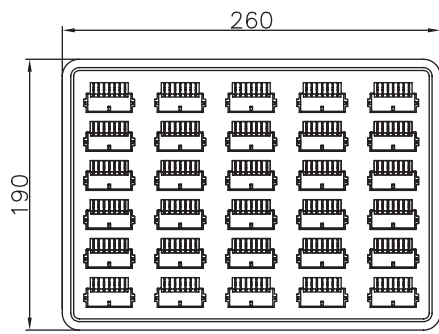
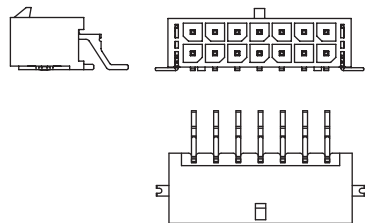
1

2

3

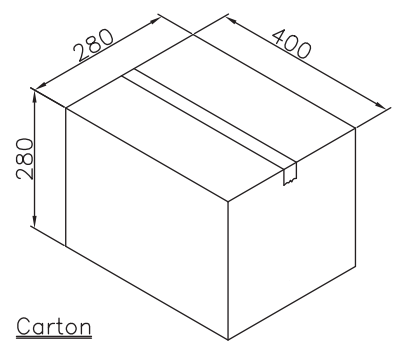
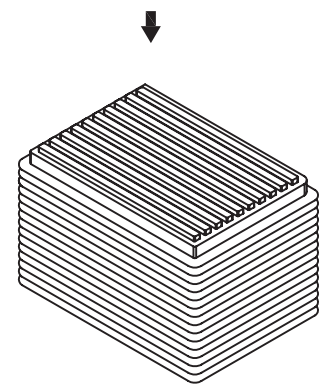
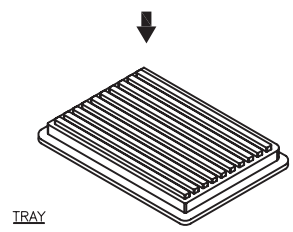
4

5



Tray

Note:  
 1.Dimension  
 Tray Size:260(L)x190(W)x12.0(H) (mm)  
 Carton Size:400X280X280(mm)  
 2.Quantity:  
 XX Pcs/Tray  
 48 Trays/Carton



| Pin. | Pcs/Tray | Pcs/Carton | Pin. | Pcs/Tray | Pcs/Carton |
|------|----------|------------|------|----------|------------|
| 4    | 96       | 4608       | 16   | 56       | 2688       |
| 6    | 80       | 3840       | 18   | 48       | 2304       |
| 8    | 72       | 3456       | 20   | 40       | 1920       |
| 10   | 64       | 3072       | 22   | 40       | 1920       |
| 12   | 64       | 3072       | 24   | 40       | 1920       |
| 14   | 56       | 2688       |      |          |            |

|                |      |      |    |                 |   |  |  |                   |
|----------------|------|------|----|-----------------|---|--|--|-------------------|
| RoHS Compliant |      |      |    | PROJECTION:<br> | GENERAL TOLERANCE<br>.X = +/- 0.2<br>.XX = +/- 0.15 |  | DESCRIPTION: 3.00MM MALE DUAL ROW SMT RIGHT ANGLE HEADER<br>SMT SOLDER TAB | SIZE<br><b>A4</b> |
| G              |      |      |    |                 |   |  |  |                   |
| F              |      |      |    |                 | SCALE:  |  |  |                   |
| E              |      |      |    |                 | SHEET: 2/3  |  |  |                   |
| D              |      |      |    |                 | DRAW: PEARL   |  |  |                   |
| C              |      |      |    |                 |   |  |  |                   |
| B              |      |      |    |                 |   |  |  |                   |
| A              |      |      |    |                 |   |  |  |                   |
| REV            | DATE | FILE | BY |                 |   |  |  |                   |

1

2

3

4

5

## Cautions and Warnings:

This electronic component is designed and developed with the intention for use in general electronics equipments.

Before incorporating the components into any equipments in the field such as aerospace, aviation, nuclear control, submarine, transportation, (automotive control, train control, ship control), transportation signal, disaster prevention, medical, public information network etc. where higher safety and reliability are especially required or if there is possibility of direct damage or injury to human body, Würth Elektronik must be asked for a written approval.

In addition, even electronic component in general electronic equipments, when used in electrical circuits that require high safety, reliability functions or performance, the sufficient reliability evaluation-check for the safety must be performed before by the user before usage.

A

B

C

RoHS Compliant

|     |           |      |    |  |   |   |                   |
|-----|-----------|------|----|--|---|---|-------------------|
| G   |           |      |    | PROJECTION:<br> | GENERAL TOLERANCE<br>.X = +/- 0.2<br>.XX = +/- 0.15 |  |                   |
| F   |           |      |    |  |   |   |                   |
| E   |           |      |    |  |   |   |                   |
| D   |           |      |    |  |   |   |                   |
| C   |           |      |    | APPROVAL: JC   | UNIT: MM  | DESCRIPTION: DISCLAIMER   | SIZE<br><b>A4</b> |
| B   |           |      |    |  | SCALE:  |   |                   |
| A   | 10-SEP-14 | PDF  | QL |  | SHEET: 3/3  | WERI PART NO: DISCLAIMER  |                   |
| REV | DATE      | FILE | BY |  | DRAW: QL  |   |                   |

D

## X-ON Electronics

Largest Supplier of Electrical and Electronic Components

*Click to view similar products for [Headers & Wire Housings](#) category:*

*Click to view products by [Würth](#) manufacturer:*

Other Similar products are found below :

[892-18-020-10-001101](#) [58102-G61-06LF](#) [582553-1](#) [0009485154](#) [009176003701906](#) [0050291907](#) [LY20-4P-DT1-P1E-BR](#) [02.125.8002.8](#)  
[609-3404](#) [61062-3](#) [61082-181009](#) [622-3653LF](#) [63453-116](#) [636-1030](#) [636-1427](#) [636-3427](#) [636-4007](#) [641938-9](#) [641991-4](#) [644827-2](#) [65817-010LF](#) [65817-015LF](#) [65863-015LF](#) [66207-023LF](#) [67095-007LF](#) [67601157](#) [68645-018](#) [68648-049](#) [70.362.1628.0](#) [70-4210](#) [70-4226B](#) [70-4853B](#) [707-5020](#) [707-5028](#) [71.350.2428.0](#) [71918-208LF](#) [71961-016LF](#) [733-134](#) [733-162](#) [754199-000](#) [760-3052](#) [787-8014-00](#) [79531-3000](#)  
[FCN-360C032-B](#) [FCN-367T-T012/H](#) [FCN-723D010/2](#) [80.063.4001.1](#) [800-90-001-10-001000](#) [800-90-010-10-002000](#) [801-43-002-10-013000](#)