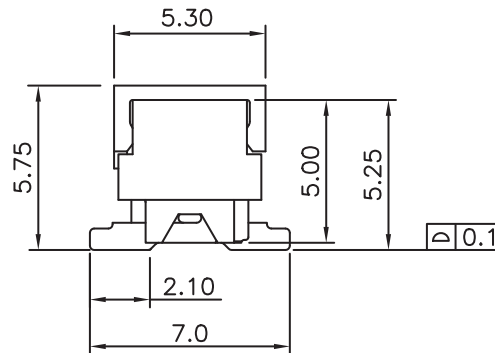
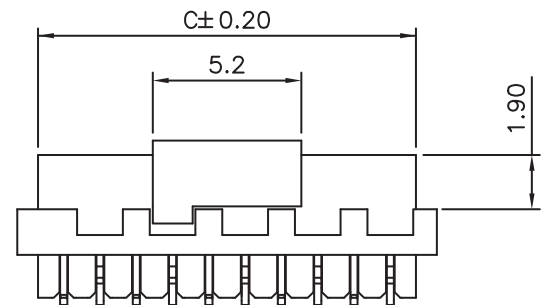


PCB LAYOUT - COMPONENT VIEW



MATERIAL:  
 HOUSING MATERIAL: PA6T  
 FLAMABILITY RATING: UL94-V0  
 COLOR: RED  
 CONTACT MATERIAL: PHOSPHOR BRONZE  
 CONTACT TYPE: STAMPED  
 CONTACT PLATING: MATT TIN OVER NICKEL  
 QUALITY CLASS: 25 MATING CYCLES  
 PITCH: 2.54 MM PER ROW

ENVIRONMENTAL:  
 OPERATING TEMPERATURE: -40°C UP TO 105°C  
 COMPLIANCE: LEAD FREE AND ROHS

ELECTRICAL:  
 CURRENT RATING: 1.5A PER PIN (PCB PIN)  
 WORKING VOLTAGE: 100VAC  
 INSULATION RESISTANCE: >1000MOHM  
 DIELECTRIC WITHSTANDING VOLT.: 500VAC/MN  
 CONTACT RESISTANCE: 10mOHM MAX

STANDARD  
 RoHS CERTIFIED: E323964 / MOD. NUMBER 69036728xx7x

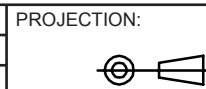
SOLDERING:  
 REFLOW PROCESS ONLY

DIMENSION:  
 DIM.A= 1.27 x (Nb PIN -1)  
 DIM.B= DIM.A + 3.27  
 DIM.C= DIM.A + 1.80

AVAILABLE  
 xx : 4 TO 26 CIRCUITS

PACKAGING:  
 TAPE & REEL

RoHS Compliant			
J	30-MAY-14	DWG UPDATE	QL
I	13-NOV-13	TPK DWG UPDATE	QL
H	23-MAY-13	NB PCS/REEL	QL
REV	DATE	FILE	BY



GENERAL TOLERANCE  
 .X = +/- 0.2  
 .XX = +/- 0.15



APPROVAL: RJ

UNIT: MM

DESCRIPTION: MM FEMALE SMT CONNECTOR WITH POLARIZATION

SIZE

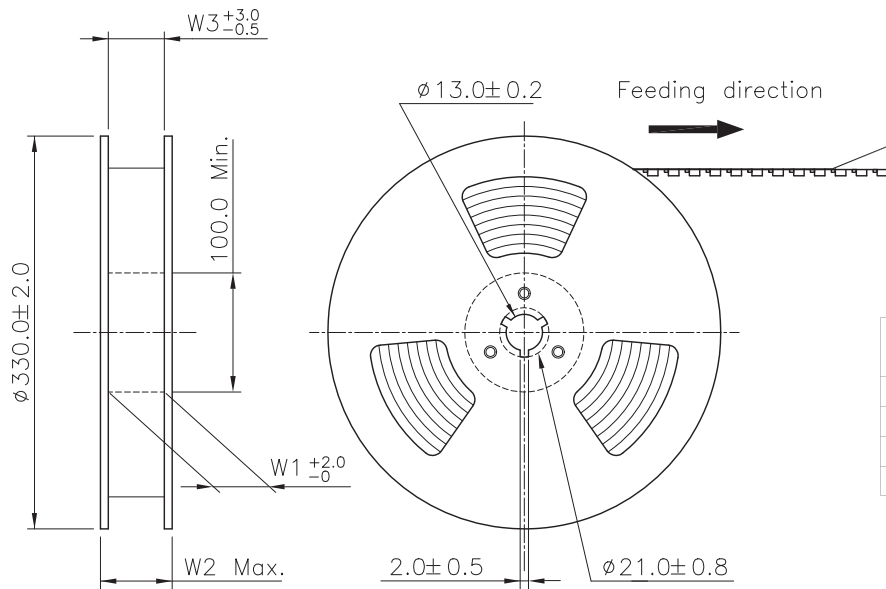
SCALE:

WERI PART NO: 690 367 28 xx 76

**A4**

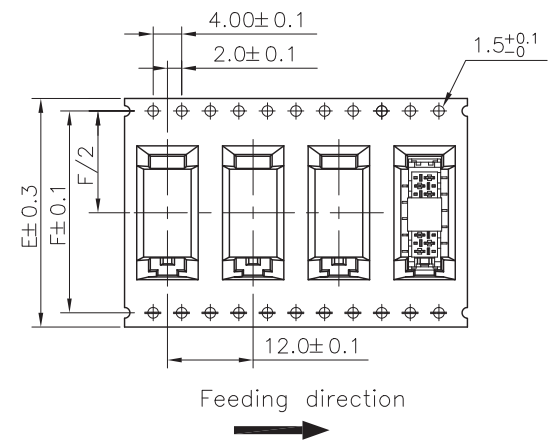
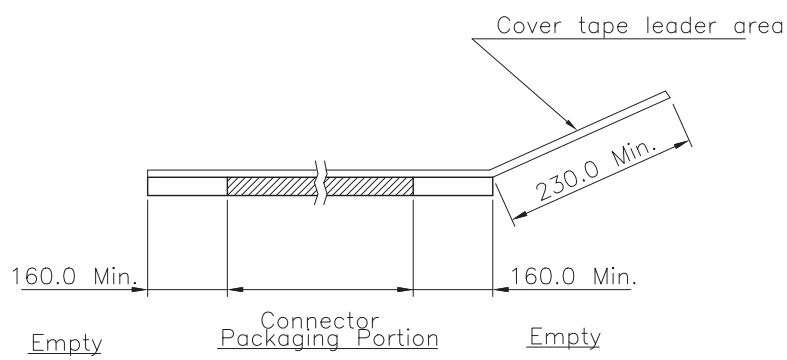
SHEET: 1/2

DRAW: EAGER



- NOTE :
- \* Reel Material : HIPS
  - \* Carrier Material : Transparent Anti-static Polystyrene.
  - \* Cover Tape Material : Polyester
  - \* Cover Tape Peel Strength : 0.1N - 1.3N
  - \* Carrier camber is within 1mm in 250mm
  - \* All dimensions meet EIA-481-2 requirements.
  - \* Quantity : 800 PCS/Reel ; except 10pins 800PCS/Reel

Circuits	Dimension					Packing (Reel/Caton)
	E	F	W1	W2	W3	
4-8	24.0(.945)	-	24.5(.965)	30.5(1.200)	24.5(.965)	9
10-12	32.0(1.260)	28.40(1.118)	32.5(1.280)	38.5(1.516)	32.5(1.280)	7
14-22	44.0(1.732)	40.40(1.596)	44.5(1.752)	50.5(1.988)	44.5(1.752)	5
24-26	56.0(2.205)	52.40(2.063)	56.5(2.224)	62.5(2.460)	56.5(2.224)	4



RoHS Compliant				PROJECTION: 	GENERAL TOLERANCE .X = +/- 0.2 .XX = +/- 0.15	
G						
F						
E						
D				APPROVAL: RJ	UNIT: MM	DESCRIPTION: MM FEMALE SMT CONNECTOR WITH POLARIZATION  WERI PART NO: 690 367 28 xx 76
C					SCALE:	
B					SHEET: 2/2	
A				DRAW: EAGER	SIZE	<b>A4</b>
REV	DATE	FILE	BY			

## X-ON Electronics

Largest Supplier of Electrical and Electronic Components

*Click to view similar products for [Headers & Wire Housings](#) category:*

*Click to view products by [Würth](#) manufacturer:*

Other Similar products are found below :

[892-18-020-10-001101](#) [58102-G61-06LF](#) [582553-1](#) [0009485154](#) [009176003701906](#) [0050291907](#) [LY20-4P-DT1-P1E-BR](#) [02.125.8002.8](#)  
[609-3404](#) [61062-3](#) [61082-181009](#) [622-3653LF](#) [63453-116](#) [636-1030](#) [636-1427](#) [636-3427](#) [636-4007](#) [641938-9](#) [641991-4](#) [644827-2](#) [65817-](#)  
[010LF](#) [65817-015LF](#) [65863-015LF](#) [66207-023LF](#) [67095-007LF](#) [67601157](#) [68645-018](#) [68648-049](#) [70.362.1628.0](#) [70-4210](#) [70-4226B](#) [70-](#)  
[4853B](#) [707-5020](#) [707-5028](#) [71.350.2428.0](#) [71918-208LF](#) [71961-016LF](#) [733-134](#) [733-162](#) [754199-000](#) [760-3052](#) [787-8014-00](#) [79531-3000](#)  
[FCN-360C032-B](#) [FCN-367T-T012/H](#) [FCN-723D010/2](#) [80.063.4001.1](#) [800-90-001-10-001000](#) [800-90-010-10-002000](#) [801-43-002-10-013000](#)