

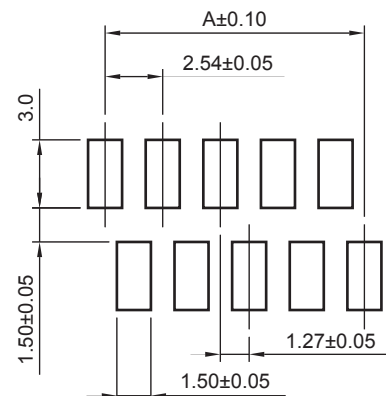
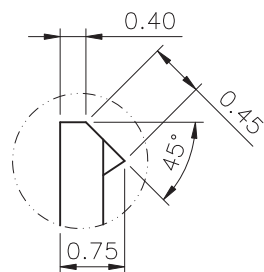
1

2

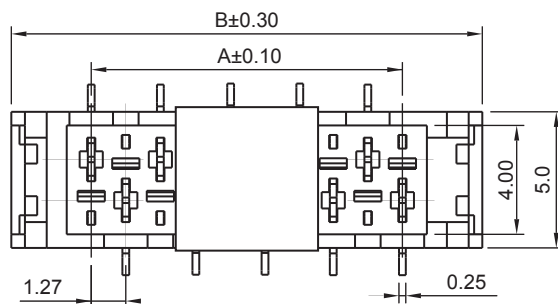
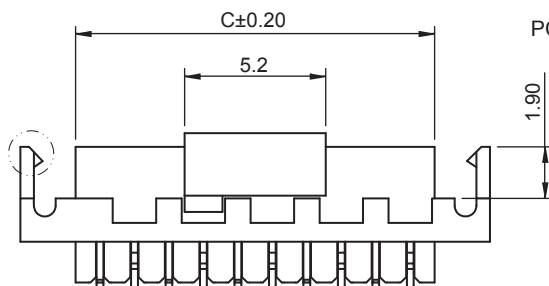
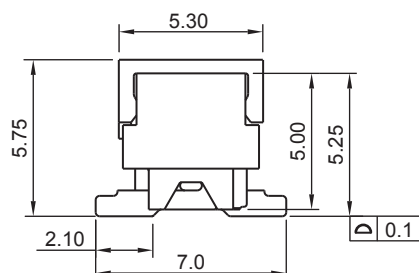
3

4

5



PCB LAYOUT - COMPONENT VIEW



TECHNICAL CHARACTERISTICS

MATERIAL

HOUSING MATERIAL: PA6T

FLAMABILITY RATING: UL94-V0

COLOR: RED

CONTACT MATERIAL: PHOSPHOR BRONZE

CONTACT TYPE: STAMPED

CONTACT PLATING: MATT TIN OVER NICKEL

QUALITY CLASS: 25 MATING CYCLES

PITCH: 2.54 MM PER ROW

ENVIRONMENTAL

OPERATING TEMPERATURE: -40°C UP TO 105°C

COMPLIANCE: LEAD FREE AND ROHS

ELECTRICAL

CURRENT RATING: 1.5 A PER PIN (PCB PIN)

WORKING VOLTAGE: 100 VAC

INSULATION RESISTANCE: >1000 MOHM

DIELECTRIC WITHSTANDING VOLT.: 500 VAC/MN

CONTACT RESISTANCE: 10 mOHM MAX

STANDARD

 CERTIFIED: E323964

SOLDERING

JEDEC LEAD FREE REFLOW SOLDERING

PACKAGING

TAPE & REEL

DIMENSION

A= 1.27 x (Nb PIN - 1)

B= DIM.A + 5.87

C= DIM.A + 1.80

RoHS Compliant

PROJECTION:



APPROVAL: GMo

GENERAL TOLERANCE

.X = +/- 0.2

.XX = +/- 0.15



UNIT: MM

SCALE:

SHEET: 1/3

DRAW: EAGER

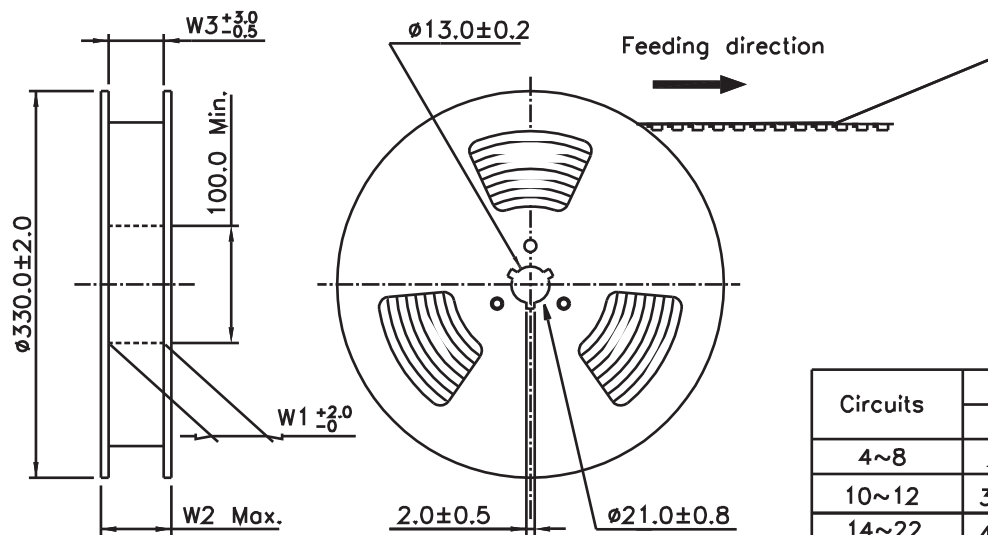
DESCRIPTION: MM FEMALE SMT CONNECTOR WITH LATCH AND POLARIZATION

WERI PART NO: 690 367 29 xx 76

SIZE

A4

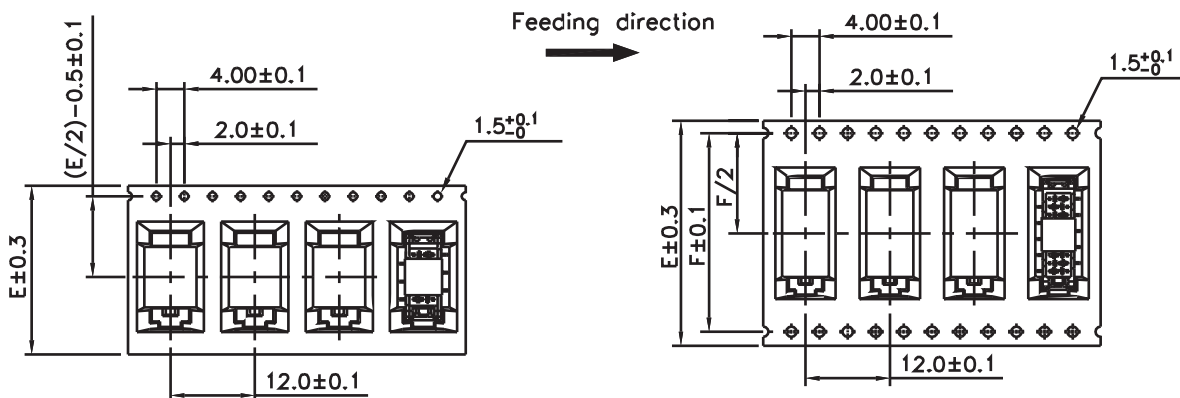
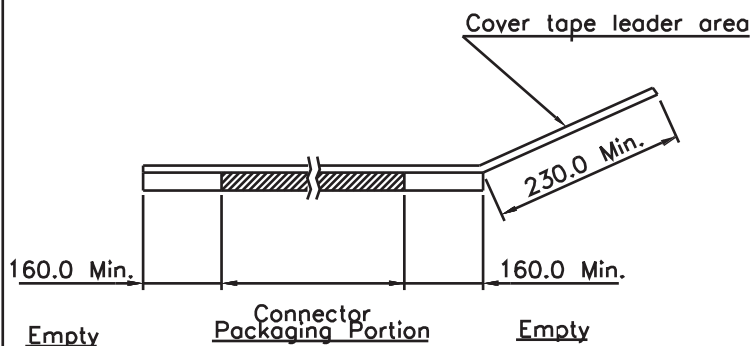
G	29-APR-16	ZOOM BEVEL	AK
E	17-FEB-10	NEW CAP	JP
D	17-NOV-09	DIMENSION	JP
C	10-AUG-09	LATCH SHAPE	CH
B	27-NOV-07	MODIFICATIONS	EC
A	03-NOV-06	PDF	JP
REV	DATE	FILE	BY



NOTES:

1. 10 sprocket hole pitch cumulative tolerance $\pm 0.20\text{mm}$.
2. Carrier camber not to exceed 1 mm in 100 mm.
3. Material :Transparent Anti-static Polysyrene.
4. All dimensions meet EIA-481-3 requirements.
5. Thickness : $0.40\pm 0.05\text{mm}$.
6. Packing length per 22" Reel : 30.6 Meters.
7. Component load per 13" Reel : 800 pcs.

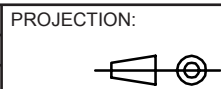
Circuits	Dimension					Packing (Reel/Caton)
	E	F	W1	W2	W3	
4~8	24.0(.945)	-	24.5(.965)	30.5(1.201)	24.5(.965)	9
10~12	32.0(1.260)	28.40(1.118)	32.5(1.280)	38.5(1.516)	32.5(1.280)	7
14~22	44.0(1.732)	40.40(1.596)	44.5(1.752)	50.5(1.988)	44.5(1.752)	5
24~26	56.0(2.205)	52.40(2.063)	56.5(2.224)	62.5(2.461)	56.5(2.224)	4



For With Latch Type
WIDTH : 24 mm Carrier

For With Latch Type
WIDTH : 32.44.56 mm Carrier

RoHS Compliant			
G			
F			
E			
D			
C			
B			
A			
REV	DATE	FILE	BY



APPROVAL: Gmo

GENERAL TOLERANCE
.X = ± 0.2
.XX = ± 0.15



UNIT: MM

SCALE:

SHEET: 2/3

DRAW: EAGER

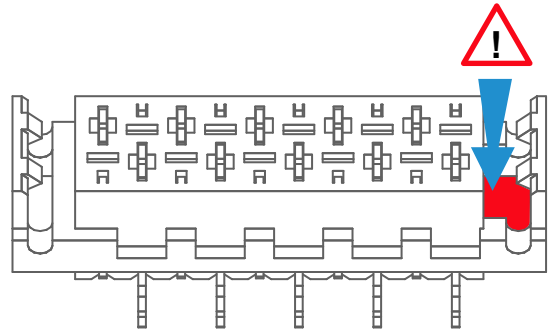
DESCRIPTION: MM FEMALE SMT CONNECTOR WITH LATCH AND POLARIZATION

WERI PART NO: 690 367 29 xx 76

SIZE

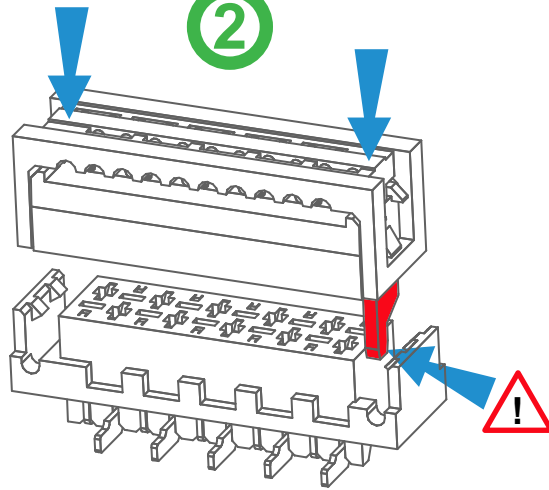
A4

1



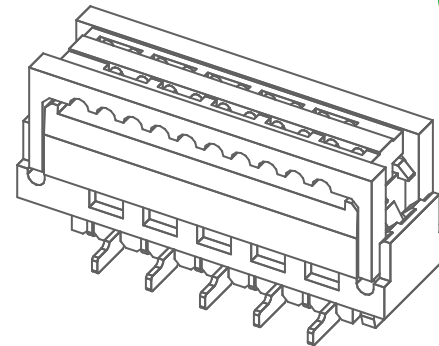
Insert through polarization

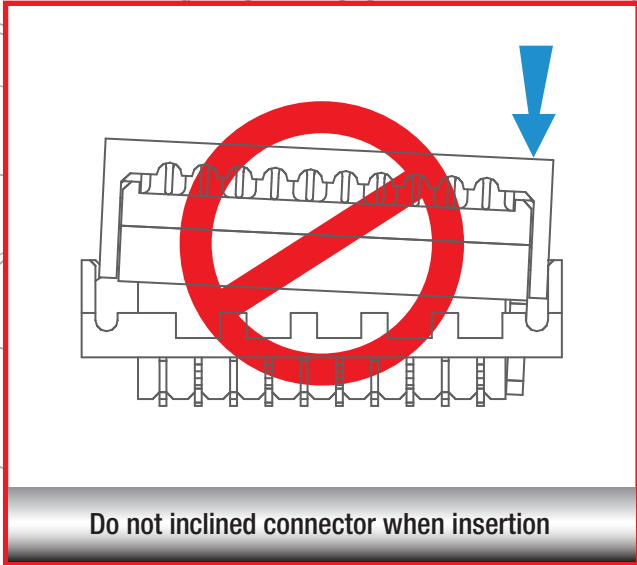
2



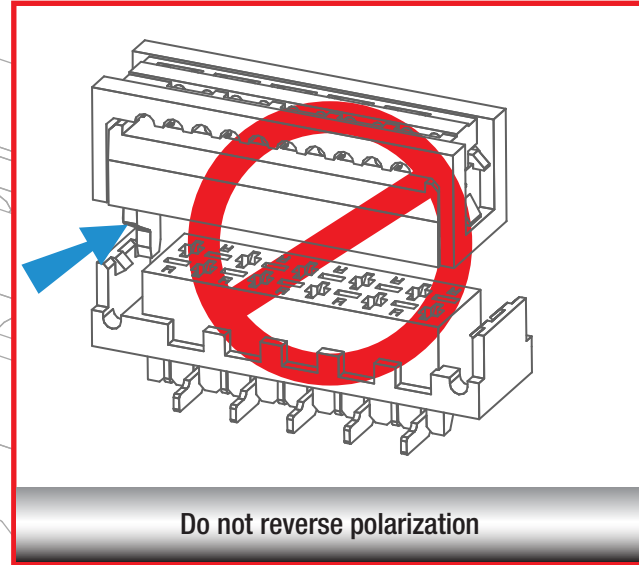
Press both ends of the connector at the same time

3

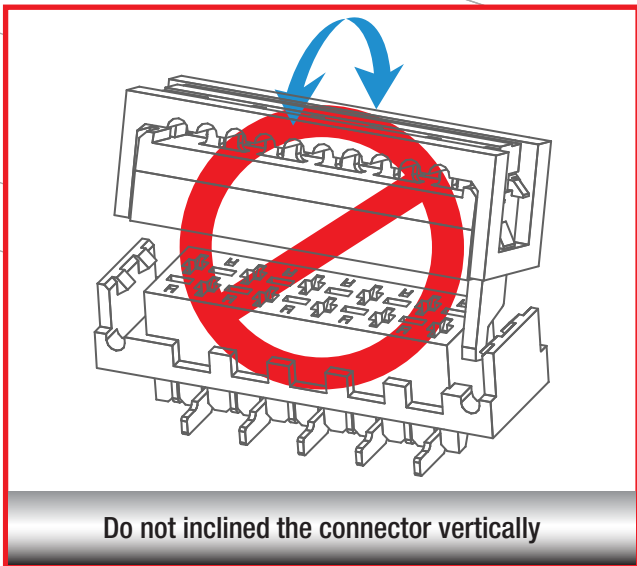




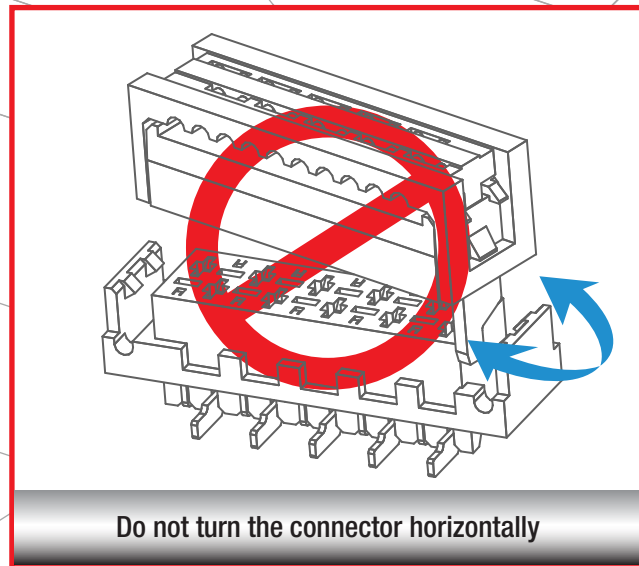
Do not inclined connector when insertion



Do not reverse polarization



Do not inclined the connector vertically



Do not turn the connector horizontally

1

2

3

4

5

Cautions and Warnings:

This electronic component is designed and developed with the intention for use in general electronics equipments.

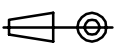

Before incorporating the components into any equipments in the field such as aerospace, aviation, nuclear control, submarine, transportation, (automotive control, train control, ship control), transportation signal, disaster prevention, medical, public information network etc. where higher safety and reliability are especially required or if there is possibility of direct damage or injury to human body, Würth Elektronik must be asked for a written approval.

In addition, even electronic component in general electronic equipments, when used in electrical circuits that require high safety, reliability functions or performance, the sufficient reliability evaluation-check for the safety must be performed before by the user before usage.

A

B

C

RoHS Compliant				PROJECTION: 	GENERAL TOLERANCE .X = +/- 0.2 .XX = +/- 0.15	 WÜRTH ELEKTRONIK	DESCRIPTION: DISCLAIMER	SIZE A4
G								
F								
E								
D								
C				APPROVAL: JC	UNIT: MM	WERI PART NO: DISCLAIMER	SIZE A4	
B				SCALE:				
A	10-SEP-14	PDF	QL	SHEET: 3/3				
REV	DATE	FILE	BY	DRAW: QL				

D

X-ON Electronics

Largest Supplier of Electrical and Electronic Components

Click to view similar products for [Headers & Wire Housings](#) category:

Click to view products by [Würth](#) manufacturer:

Other Similar products are found below :

[892-18-020-10-001101](#) [58102-G61-06LF](#) [582553-1](#) [0009485154](#) [009176003701906](#) [0050291907](#) [LY20-4P-DT1-P1E-BR](#) [02.125.8002.8](#)
[609-3404](#) [61062-3](#) [61082-181009](#) [622-3653LF](#) [63453-116](#) [636-1030](#) [636-1427](#) [636-3427](#) [636-4007](#) [641938-9](#) [641991-4](#) [644827-2](#) [65817-010LF](#) [65817-015LF](#) [65863-015LF](#) [66207-023LF](#) [67095-007LF](#) [67601157](#) [68645-018](#) [68648-049](#) [70.362.1628.0](#) [70-4210](#) [70-4226B](#) [70-4853B](#) [707-5020](#) [707-5028](#) [71.350.2428.0](#) [71918-208LF](#) [71961-016LF](#) [733-134](#) [733-162](#) [754199-000](#) [760-3052](#) [787-8014-00](#) [79531-3000](#)
[FCN-360C032-B](#) [FCN-367T-T012/H](#) [FCN-723D010/2](#) [80.063.4001.1](#) [800-90-001-10-001000](#) [800-90-010-10-002000](#) [801-43-002-10-013000](#)