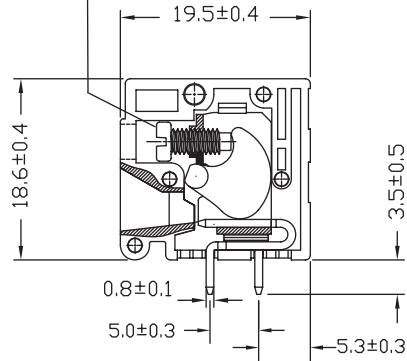
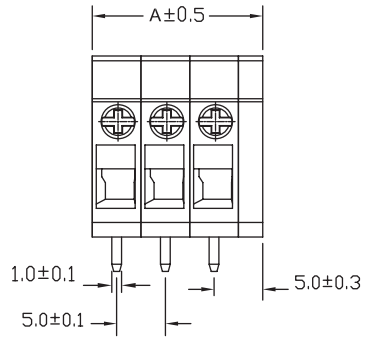


PCB LAYOUT - COMPONENT VIEW



TECHNICAL CHARACTERISTICS

MATERIAL
 INSULATOR: PA 66
 FLAMABILITY RATING: UL94-V0
 COLOR: GREEN
 METAL HOUSING: STEEL ZINC PLATING
 CONTACT PIN: BRASS (CuZn)
 SURFACE OF SOLDER TAIL PLATING: TIN
 TERMINAL SCREW: STEEL ZINC PLATING
 TERMINAL SCREW SLOT TYPE: "+"
 WIRE GUARD: STEEL

ENVIRONMENTAL
 OPERATING TEMPERATURE: -40 UP TO 105°C
 COMPLIANCE: LEAD FREE AND ROHS

ELECTRICAL
 CURRENT RATING: 20A
 WORKING VOLTAGE: 300VAC
 WITHSTANDING VOLTAGE: 2.0KV
 CONTACT RESISTANCE: 20 mOhm max

STANDARD
 RoHS CERTIFIED E315414 / Model number 69112671

MECHANICAL
 SOLID WIRE: 30-12 AWG / 0.05-3.3MM²
 STRANDED WIRE: 30-12 AWG / 0.05-3.3MM²
 TORQUE: 4.0Lb-In / 0.45Nm

WIRE STRIPE LENGTH: 9MM
 PITCH: 5.00MM

PACKAGING: BOX

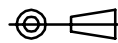
SERIE 126B

| Pitch : 5.00mm (0.197inch) | | | | | |
|----------------------------|-------|---------|-------|--------|---------|
| Poles | A(mm) | A(inch) | Poles | A(mm) | A(inch) |
| 2 | 12.50 | 0.492 | 15 | 77.50 | 3.051 |
| 3 | 17.50 | 0.689 | 16 | 82.50 | 3.248 |
| 4 | 22.50 | 0.886 | 17 | 87.50 | 3.445 |
| 5 | 27.50 | 1.083 | 18 | 92.50 | 3.642 |
| 6 | 32.50 | 1.280 | 19 | 97.50 | 3.839 |
| 7 | 37.50 | 1.476 | 20 | 102.50 | 4.035 |
| 8 | 42.50 | 1.673 | 21 | 107.50 | 4.232 |
| 9 | 47.50 | 1.870 | 22 | 112.50 | 4.429 |
| 10 | 52.50 | 2.067 | 23 | 117.50 | 4.626 |
| 11 | 57.50 | 2.264 | 24 | 122.50 | 4.823 |
| 12 | 62.50 | 2.461 | | | |
| 13 | 67.50 | 2.657 | | | |
| 14 | 72.50 | 2.854 | | | |

RoHS Compliant

| | | | |
|-----|-----------|---------|----|
| G | | | |
| F | | | |
| E | | | |
| D | | | |
| C | | | |
| B | 17-JUL-14 | DRAWING | AS |
| A | 20-JUN-12 | PDF | GG |
| REV | DATE | FILE | BY |

PROJECTION:



APPROVAL: RJ

GENERAL TOLERANCE

.X = +/- 0.2
 .XX = +/- 0.15



UNIT: MM

SCALE:

SHEET: 1/1

DRAW: MARVIN

DESCRIPTION: SERIE 126B - 5,0mm Horizontal Entry with Stamping Clamp

WERI PART NO: 691 126 710 0xx B

SIZE

A4

X-ON Electronics

Largest Supplier of Electrical and Electronic Components

Click to view similar products for [Pluggable Terminal Blocks](#) category:

Click to view products by [Wurth](#) manufacturer:

Other Similar products are found below :

[57.510.0053](#) [MC 1.5/ 6-ST-3.5 GY AU](#) [ET02015000J0G](#) [734-104](#) [734-302](#) [8-141-P](#) [8426620000](#) [860505](#) [860516](#) [860810](#) [GBPACX-12](#)
[93.731.4953.0](#) [PV05-5,08-K](#) [PVP03-3,50](#) [PVP04-3,50](#) [PVS02-5,00](#) [1-1986160-3](#) [1377680000](#) [1531000000](#) [1546228-5](#) [ELFH16150](#)
[ELFP03110](#) [ELFP10210](#) [ELFT06250](#) [ELVP03100](#) [1700101](#) [1700410](#) [1700425](#) [1702246](#) [1705229](#) [1710175](#) [1714537](#) [1717806](#) [1719600](#)
[1728941](#) [1734692](#) [1734795](#) [1736036](#) [1740194](#) [1740628](#) [1740990](#) [1746952](#) [1750207](#) [1752441](#) [1752865](#) [1754115](#) [1754144](#) [1756913](#)
[1760051](#) [1760336](#)