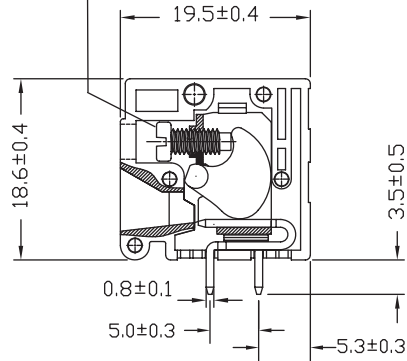
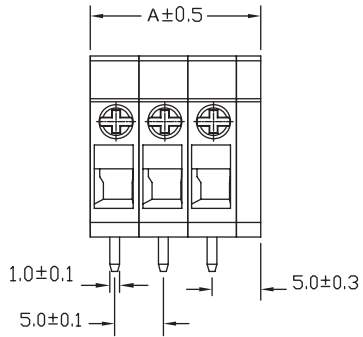


PCB LAYOUT - COMPONENT VIEW



TECHNICAL CHARACTERISTICS

MATERIAL  
 INSULATOR: PA 66  
 FLAMABILITY RATING: UL94-V0  
 COLOR: GREEN  
 METAL HOUSING: STEEL ZINC PLATING  
 CONTACT PIN: BRASS (CuZn)  
 SURFACE OF SOLDER TAIL PLATING: TIN  
 TERMINAL SCREW: STEEL ZINC PLATING  
 TERMINAL SCREW SLOT TYPE: "+"  
 WIRE GUARD: STEEL

ENVIRONMENTAL  
 OPERATING TEMPERATURE: -40 UP TO 105°C  
 COMPLIANCE: LEAD FREE AND ROHS

ELECTRICAL  
 CURRENT RATING: 20A  
 WORKING VOLTAGE: 300VAC  
 WITHSTANDING VOLTAGE: 2.0KV  
 CONTACT RESISTANCE: 20 mOhm max

STANDARD  
 RoHS CERTIFIED E315414 / Model number 69112671

MECHANICAL  
 SOLID WIRE: 30-12 AWG / 0.05-3.3MM<sup>2</sup>  
 STRANDED WIRE: 30-12 AWG / 0.05-3.3MM<sup>2</sup>  
 TORQUE: 4.0Lb-In / 0.45Nm

WIRE STRIPE LENGTH: 9MM  
 PITCH: 5.00MM

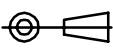
PACKAGING: BOX

SERIE 126B

| Pitch : 5.00mm (0.197inch) |       |         |       |        |         |
|----------------------------|-------|---------|-------|--------|---------|
| Poles                      | A(mm) | A(inch) | Poles | A(mm)  | A(inch) |
| 2                          | 12.50 | 0.492   | 15    | 77.50  | 3.051   |
| 3                          | 17.50 | 0.689   | 16    | 82.50  | 3.248   |
| 4                          | 22.50 | 0.886   | 17    | 87.50  | 3.445   |
| 5                          | 27.50 | 1.083   | 18    | 92.50  | 3.642   |
| 6                          | 32.50 | 1.280   | 19    | 97.50  | 3.839   |
| 7                          | 37.50 | 1.476   | 20    | 102.50 | 4.035   |
| 8                          | 42.50 | 1.673   | 21    | 107.50 | 4.232   |
| 9                          | 47.50 | 1.870   | 22    | 112.50 | 4.429   |
| 10                         | 52.50 | 2.067   | 23    | 117.50 | 4.626   |
| 11                         | 57.50 | 2.264   | 24    | 122.50 | 4.823   |
| 12                         | 62.50 | 2.461   |       |        |         |
| 13                         | 67.50 | 2.657   |       |        |         |
| 14                         | 72.50 | 2.854   |       |        |         |

RoHS Compliant

|     |           |         |    |
|-----|-----------|---------|----|
| G   |           |         |    |
| F   |           |         |    |
| E   |           |         |    |
| D   |           |         |    |
| C   |           |         |    |
| B   | 17-JUL-14 | DRAWING | AS |
| A   | 20-JUN-12 | PDF     | GG |
| REV | DATE      | FILE    | BY |

PROJECTION:  
  
 APPROVAL: RJ

GENERAL TOLERANCE  
 .X = +/- 0.2  
 .XX = +/- 0.15  
 UNIT: MM  
 SCALE:  
 SHEET: 1/1  
 DRAW: MARVIN



DESCRIPTION: SERIE 126B - 5,0mm Horizontal Entry with Stamping Clamp  
 WERI PART NO: 691 126 710 0xx B

SIZE  
**A4**

## X-ON Electronics

Largest Supplier of Electrical and Electronic Components

*Click to view similar products for [Pluggable Terminal Blocks](#) category:*

*Click to view products by [Wurth](#) manufacturer:*

Other Similar products are found below :

[57.510.0053](#) [MC 1.5/ 6-ST-3.5 GY AU](#) [ET02015000J0G](#) [734-104](#) [734-302](#) [8-141-P](#) [8426620000](#) [860505](#) [860516](#) [860810](#) [GBPACX-12](#)  
[93.731.4953.0](#) [PV05-5,08-K](#) [PVP03-3,50](#) [PVP04-3,50](#) [PVS02-5,00](#) [1-1986160-3](#) [1377680000](#) [1531000000](#) [1546228-5](#) [ELFH16150](#)  
[ELFP03110](#) [ELFP10210](#) [ELFT06250](#) [ELVP03100](#) [1700101](#) [1700410](#) [1700425](#) [1702246](#) [1705229](#) [1710175](#) [1714537](#) [1717806](#) [1719600](#)  
[1728941](#) [1734692](#) [1734795](#) [1736036](#) [1740194](#) [1740628](#) [1740990](#) [1746952](#) [1750207](#) [1752441](#) [1752865](#) [1754115](#) [1754144](#) [1756913](#)  
[1760051](#) [1760336](#)