

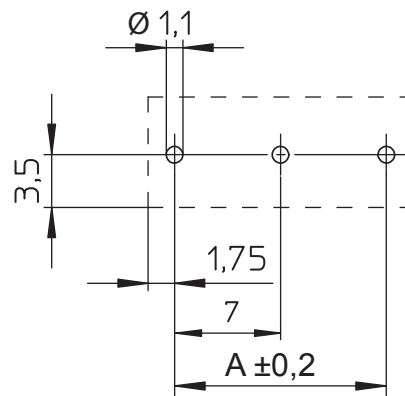
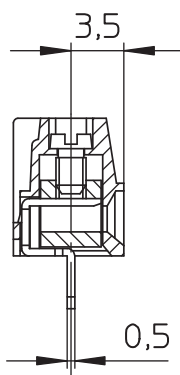
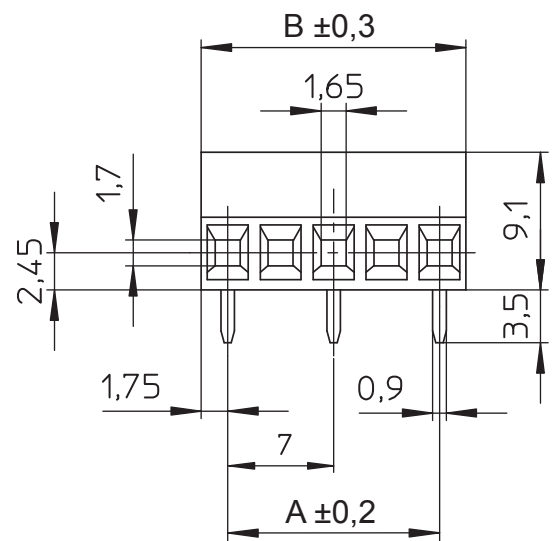
1

2

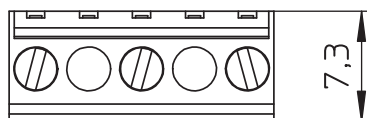
3

4

5



PCB LAYOUT - COMPONENT VIEW



TECHNICAL CHARACTERISTICS

MATERIAL
 INSULATOR: PA6/66
 FLAMMABILITY RATING: UL94V0
 COLOR: GREEN
 METAL HOUSING: COPPER ALLOY / Ni+Sn
 TERMINAL SCREW: STEEL / Zn
 WIRE GUARD: COPPER ALLOY / Ni+Sn

ENVIRONMENTAL
 OPERATING TEMPERATURE: -30°C UP TO +120°C
 COMPLIANCE: LEAD FREE AND ROHS

| | | |
|-----------------------|-----------|--------|
| ELECTRICAL | UL | VDE |
| CURRENT RATING: | 10A | 10A |
| WORKING VOLTAGE: | 300VAC | 450VAC |
| WITHSTANDING VOLTAGE: | 1,6KV | 2,5KV |
| CONTACT RESISTANCE: | 20 mΩ MAX | |

STANDARD

| | |
|---------------------|------------------|
| CERTIFIED: E150931 | CAT. N°: CPA (3) |
| CERTIFIED: 40015434 | TYPE: CPA |

MECHANICAL

| | |
|----------------|---------------------------------------|
| SOLID WIRE: | 30-16 AWG / 0,05-1,31 mm ² |
| STRANDED WIRE: | 30-16 AWG / 0,05-1,31 mm ² |
| TORQUE: | 2,5Lb.In / 0,3 Nm |

WIRE STRIPE LENGTH: 6 mm
 SCREW: M2
 PITCH: 7,00 mm

SOLDERING
 JEDEC LEAD FREE WAVE SOLDERING

PACKAGING
 BOX

$$A = (\text{nb. pin} - 1) \times \text{pitch}$$

$$B = (\text{nb. pin} \times \text{pitch}) - 3,5$$

RoHS Compliant

| | | | | | | | | | |
|-----|-----------|------|----|-----------------|-------------------------------|--|-------------------|------------|-------------------------------|
| G | | | | PROJECTION: | GENERAL TOLERANCE ±0,1 | WÜRTH ELEKTRONIK | | | |
| F | | | | | | | | | |
| E | | | | | | | | | |
| D | | | | | | | | | |
| C | | | | APPROVAL: FBr | UNIT: MM | DESCRIPTION: SERIE 2432 - 7.00 MM - HORIZONTAL CABLE ENTRY WITH RISING CAGE CLAMP - WR-TBL | SIZE A4 | | |
| B | | | | | | | | | |
| A | 22-JUN-15 | PDF | AK | | | | | SCALE: | WERI PART NO: 691 243 210 0xx |
| REV | DATE | FILE | BY | | | | | SHEET: 1/2 | |
| | | | | | | | | DRAW: AK | |

1

2

3

4

5

Cautions and Warnings:

This electronic component is designed and developed with the intention for use in general electronics equipments.

Before incorporating the components into any equipments in the field such as aerospace, aviation, nuclear control, submarine, transportation, (automotive control, train control, ship control), transportation signal, disaster prevention, medical, public information network etc. where higher safety and reliability are especially required or if there is possibility of direct damage or injury to human body, Würth Elektronik must be asked for a written approval.

In addition, even electronic component in general electronic equipments, when used in electrical circuits that require high safety, reliability functions or performance, the sufficient reliability evaluation-check for the safety must be performed before by the user before usage.

A

B

C

RoHS Compliant

| | | | | | | | |
|-----|-----------|------|----|--|---|---|-------------------|
| G | | | | PROJECTION:  | GENERAL TOLERANCE .X = +/- 0.2 .XX = +/- 0.15 |  | |
| F | | | | | | | |
| E | | | | | | | |
| D | | | | | | | |
| C | | | | APPROVAL: JC | UNIT: MM | DESCRIPTION: DISCLAIMER | SIZE A4 |
| B | | | | | SCALE: | | |
| A | 10-SEP-14 | PDF | QL | | SHEET: 2/2 | WERI PART NO: DISCLAIMER | |
| REV | DATE | FILE | BY | | DRAW: QL | | |

D

X-ON Electronics

Largest Supplier of Electrical and Electronic Components

Click to view similar products for [Fixed Terminal Blocks](#) category:

Click to view products by [Wurth](#) manufacturer:

Other Similar products are found below :

[MBE-1512](#) [MBE-1520](#) [MBE-154](#) [MBE-156](#) [MBES-156](#) [MH-2512](#) [MHE-132](#) [MHE-163](#) [MI-254 \(35\)](#) [MI-272](#) [MPT-275](#) [ELM10110G](#)
[BA311TU](#) [BA411SU](#) [MV-253/NCNOC](#) [MV-254-D](#) [MV-255](#) [MV-493](#) [MVE-252](#) [MVE-253](#) [MVE-273](#) [MVEB-153](#) [1700096](#) [1705142](#)
[1712417](#) [1713088](#) [1745195](#) [1760594](#) [1-796689-8](#) [1-796692-6](#) [1800114](#) [20020314-C121B01LF](#) [20020316-G041B01LF](#) [KP03215000J0G](#)
[KP04215000J0G](#) [S451](#) [29.007](#) [29.116](#) [30.103](#) [30.106](#) [30.503](#) [30.608](#) [30.755](#) [30.853](#) [9872-0-00-15-00-00-33-0](#) [996750](#) [1706303](#) [1710052](#)
[1712418](#) [1733868](#)