

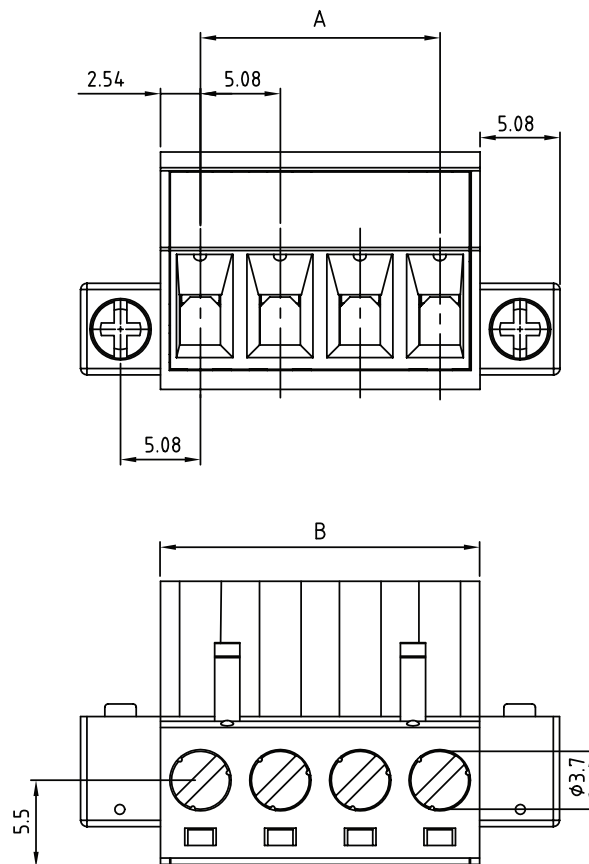
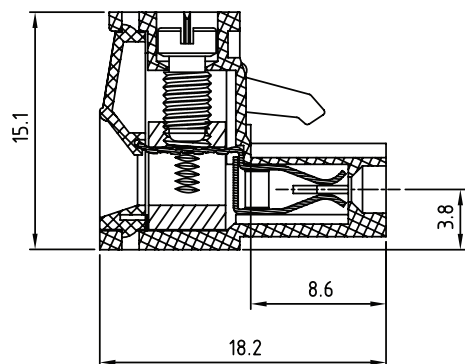
1

2

3

4

5



TECHNICAL CHARACTERISTICS

MATERIAL
 INSULATOR: PA 66
 FLAMMABILITY RATING: UL94-V0
 COLOR: GREEN
 METAL HOUSING: BRASS (CuZn)
 TERMINAL SCREW: STEEL ZINC PLATING
 TERMINAL SCREW SLOT TYPE: "L"
 WIRE GUARD: PhBz TIN PLATED
 FLANGES SCREW: STEEL M2.5

ENVIRONMENTAL
 OPERATING TEMPERATURE: -40 UP TO 105°C
 COMPLIANCE: LEAD FREE AND ROHS

| | | |
|-----------------------|-------------|---------|
| ELECTRICAL | cULus | VDE |
| CURRENT RATING: | 20 A | 20 A |
| WORKING VOLTAGE: | 300 VAC | 300 VAC |
| WITHSTANDING VOLTAGE: | 1.6 KV | 2.5 KV |
| CONTACT RESISTANCE: | 20 mOhm max | |

STANDARD
 CERTIFIED E315414
 CERTIFIED 40023195

MECHANICAL
 SOLID WIRE: 24-12 AWG / 0.205-3.31 MM²
 STRANDED WIRE: 24-12 AWG / 0.205-3.31 MM²
 TORQUE: 5.0 Lb-In / 0.56 Nm

WIRE STRIPE LENGTH: 7-8 MM
 SCREW: M3.0
 PITCH: 5.08 MM

PACKAGING
 BOX

DIMENSION
 A = (NB. PINS - 1) x PITCH
 B = NB. PINS x PITCH

RoHS Compliant

| | | | | | | | |
|-----|-----------|------------|----|-----------------|---|-------------------------------|---------------|
| G | | | | PROJECTION: | GENERAL TOLERANCE .X = +/- 0.2 .XX = +/- 0.15 | WÜRTH ELEKTRONIK | |
| F | | | | | | | |
| E | | | | | | | |
| D | | | | | | | |
| C | 22-APR-16 | DRAWING | AK | | | | APPROVAL: FBr |
| B | 28-JUL-13 | DWG REVIEW | QL | | SCALE: | WERI PART NO: 691 340 500 0xx | |
| A | 04-NOV-08 | PDF | JP | | SHEET: 1/2 | | |
| REV | DATE | FILE | BY | | DRAW: MARVIN | SIZE A4 | |

1

2

3

4

5

Cautions and Warnings:

This electronic component is designed and developed with the intention for use in general electronics equipments.

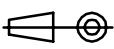

Before incorporating the components into any equipments in the field such as aerospace, aviation, nuclear control, submarine, transportation, (automotive control, train control, ship control), transportation signal, disaster prevention, medical, public information network etc. where higher safety and reliability are especially required or if there is possibility of direct damage or injury to human body, Würth Elektronik must be asked for a written approval.

In addition, even electronic component in general electronic equipments, when used in electrical circuits that require high safety, reliability functions or performance, the sufficient reliability evaluation-check for the safety must be performed before by the user before usage.

A

B

C

| | | | | | | | | |
|----------------|-----------|------|----|--|---|--|-------------------------|-------------------|
| RoHS Compliant | | | | PROJECTION:  | GENERAL TOLERANCE .X = +/- 0.2 .XX = +/- 0.15 |  WÜRTH ELEKTRONIK | DESCRIPTION: DISCLAIMER | SIZE A4 |
| G | | | | | | | | |
| F | | | | | | | | |
| E | | | | | | | | |
| D | | | | | | | | |
| C | | | | APPROVAL: JC | UNIT: MM | WERI PART NO: DISCLAIMER | SIZE A4 | |
| B | | | | | SCALE: | | | |
| A | 10-SEP-14 | PDF | QL | | SHEET: 2/2 | | | |
| REV | DATE | FILE | BY | | DRAW: QL | | | |

D

X-ON Electronics

Largest Supplier of Electrical and Electronic Components

Click to view similar products for [Pluggable Terminal Blocks](#) category:

Click to view products by [Wurth](#) manufacturer:

Other Similar products are found below :

[57.510.0053](#) [MC 1.5/ 6-ST-3.5 GY AU](#) [734-104](#) [734-302](#) [8-141-P](#) [8426620000](#) [860505](#) [860516](#) [860810](#) [GBPACX-12](#) [93.731.4953.0](#) [PV05-5,08-K](#) [PVP02-5,00](#) [PVP03-3,50](#) [PVP04-3,50](#) [PVS02-5,00](#) [1-1986160-3](#) [1377680000](#) [1531000000](#) [1546228-5](#) [ELFH16150](#) [ELFP03110](#) [ELFP10210](#) [ELFT06250](#) [ELVP03100](#) [1700101](#) [1700410](#) [1700425](#) [1702246](#) [1705229](#) [1710175](#) [1714537](#) [1717806](#) [1719600](#) [1728941](#) [1734692](#) [1734795](#) [1736036](#) [1740194](#) [1740291](#) [1740628](#) [1740990](#) [1746952](#) [1750207](#) [1752441](#) [1752865](#) [1754115](#) [1754144](#) [1756913](#) [1760051](#)