

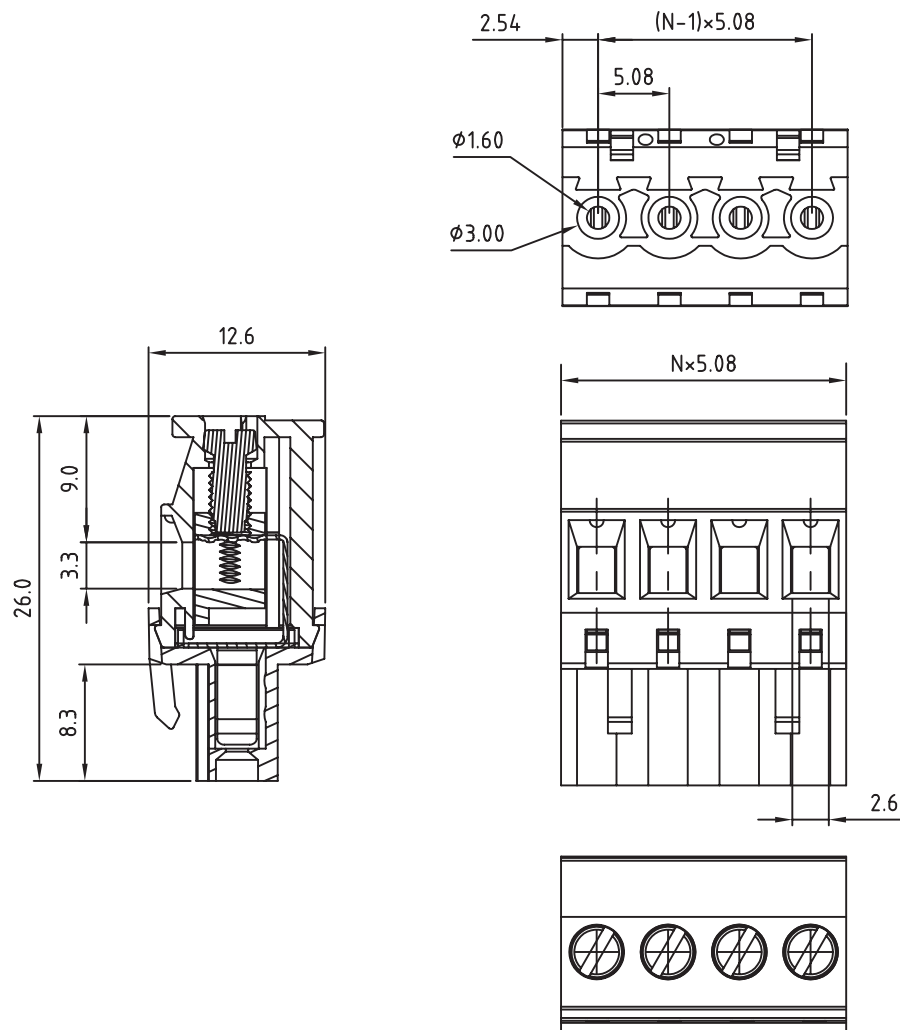
1

2

3

4

5



TECHNICAL CHARACTERISTICS

MATERIAL

INSULATOR: PA 66
 FLAMABILITY RATING: UL94-V0
 COLOR: GREEN
 METAL HOUSING: BRASS (CuZn)
 TERMINAL SCREW: STEEL ZINC PLATING "-" SLOT TYPE
 WIRE GUARD: PhBz TIN PLATED

ENVIRONMENTAL

OPERATING TEMPERATURE: -40 UP TO 105°C
 COMPLIANCE: LEAD FREE AND ROHS

ELECTRICAL

| | cULus | VDE |
|-----------------------|-------------|--------|
| CURRENT RATING: | 15A | 17A |
| WORKING VOLTAGE: | 300VAC | 300VAC |
| WITHSTANDING VOLTAGE: | 1.6KV | 2.5KV |
| CONTACT RESISTANCE: | 20 mOhm MAX | |

STANDARD

CERTIFIED E315414
 CERTIFIED 40023402

MECHANICAL

| | |
|----------------|--|
| SOLID WIRE: | 24-12 AWG / 0.205-3.31 MM ² |
| STRANDED WIRE: | 24-12 AWG / 0.205-3.31 MM ² |
| TORQUE: | 3.5 Lb.In - 0.4 Nm |

WIRE STRIPE LENGTH: 6-7 MM

SCREW: M3
 PITCH: 5.08 MM

PACKAGING
 BOX

RoHS Compliant

| REV | DATE | FILE | BY | APPROVAL: FBr | UNIT: MM | DESCRIPTION: SERIE 352 - 5.08MM HORIZONTAL CABLE ENTRY PLUG WITH HOOK ON WIRE SIDE - WR-TBL | SIZE |
|-----|-----------|------------------|----|---------------|---|---|-----------|
| G | 12-JAN-15 | PROJECTION | QP | | GENERAL TOLERANCE .X = +/- 0.2 .XX = +/- 0.15 | | A4 |
| F | 03-JAN-14 | UL & TEMP UPDATE | QL | | | | |
| E | 20-AUG-13 | DIM UPDATE | QL | | | | |
| D | 07-JUL-10 | NEW MEASURES | GG | | | | |
| C | 29-MAR-10 | PLASTIC HOLDER | JC | | SCALE: | WERI PART NO: 691 352 510 0xx | |
| B | 08-OCT-09 | NEW DRAW | JP | | SHEET: 1/2 | | |
| A | 23-FEB-09 | PDF | JP | | DRAW: | | |

1

2

3

4

5

Cautions and Warnings:

This electronic component is designed and developed with the intention for use in general electronics equipments.

Before incorporating the components into any equipments in the field such as aerospace, aviation, nuclear control, submarine, transportation, (automotive control, train control, ship control), transportation signal, disaster prevention, medical, public information network etc. where higher safety and reliability are especially required or if there is possibility of direct damage or injury to human body, Würth Elektronik must be asked for a written approval.

In addition, even electronic component in general electronic equipments, when used in electrical circuits that require high safety, reliability functions or performance, the sufficient reliability evaluation-check for the safety must be performed before by the user before usage.

A

B

C

RoHS Compliant

| | | | | | | | |
|-----|-----------|------|----|--|---|---|-------------------|
| G | | | | PROJECTION:  | GENERAL TOLERANCE .X = +/- 0.2 .XX = +/- 0.15 |  | |
| F | | | | | | | |
| E | | | | | | | |
| D | | | | | | | |
| C | | | | APPROVAL: JC | UNIT: MM | DESCRIPTION: DISCLAIMER | SIZE A4 |
| B | | | | | SCALE: | | |
| A | 10-SEP-14 | PDF | QL | | SHEET: 2/2 | WERI PART NO: DISCLAIMER | |
| REV | DATE | FILE | BY | | DRAW: QL | | |

D

X-ON Electronics

Largest Supplier of Electrical and Electronic Components

Click to view similar products for [Pluggable Terminal Blocks](#) category:

Click to view products by [Wurth](#) manufacturer:

Other Similar products are found below :

[57.510.0053](#) [MC 1.5/ 6-ST-3.5 GY AU](#) [ET02015000J0G](#) [734-104](#) [734-302](#) [8-141-P](#) [8426620000](#) [860505](#) [860516](#) [860810](#) [GBPACX-12](#)
[93.731.4953.0](#) [PV05-5,08-K](#) [PVP03-3,50](#) [PVP04-3,50](#) [PVS02-5,00](#) [1-1986160-3](#) [1377680000](#) [1531000000](#) [1546228-5](#) [ELFH16150](#)
[ELFP03110](#) [ELFP10210](#) [ELFT06250](#) [ELVP03100](#) [1700101](#) [1700410](#) [1700425](#) [1702246](#) [1705229](#) [1710175](#) [1714537](#) [1717806](#) [1719600](#)
[1728941](#) [1734692](#) [1734795](#) [1736036](#) [1740194](#) [1740628](#) [1740990](#) [1746952](#) [1750207](#) [1752441](#) [1752865](#) [1754115](#) [1754144](#) [1756913](#)
[1760051](#) [1760336](#)