

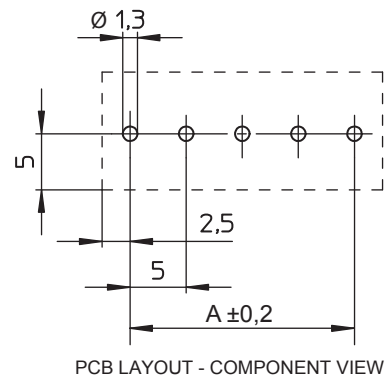
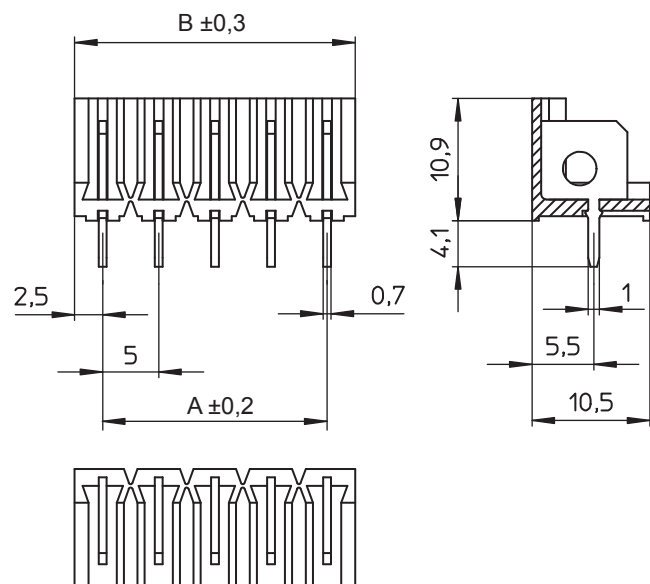
1

2

3

4

5



PCB LAYOUT - COMPONENT VIEW

## TECHNICAL CHARACTERISTICS

MATERIAL  
 INSULATOR: PC  
 FLAMMABILITY RATING: UL94V0  
 COLOR: GREY  
 METAL HOUSING: COPPER ALLOY / Ni+Sn

ENVIRONMENTAL  
 OPERATING TEMPERATURE: -30°C UP TO +120°C  
 COMPLIANCE: LEAD FREE AND ROHS

|                       |           |        |
|-----------------------|-----------|--------|
| ELECTRICAL            | UL        | VDE    |
| CURRENT RATING:       | 14A       | 16A    |
| WORKING VOLTAGE:      | 300VAC    | 250VAC |
| WITHSTANDING VOLTAGE: | 1,6KV     | 2,5KV  |
| CONTACT RESISTANCE:   | 20 mΩ MAX |        |

## STANDARD

CERTIFIED: E150931

CAT. N°: CUM (2)

CERTIFIED: 40026528

TYPE: CUM

PITCH: 5 mm

SOLDERING  
 JEDEC LEAD FREE WAVE SOLDERING

PACKAGING  
 BOX

$$A = (\text{nb. pin}-1) \times \text{pitch}$$

$$B = (\text{nb. pin} \times \text{pitch})$$

RoHS Compliant

|     |           |      |    |                 |                               |   |
|-----|-----------|------|----|-----------------|-------------------------------|---|
| G   |           |      |    | PROJECTION:<br> | GENERAL TOLERANCE<br><br>±0,1 | <br>WÜRTH ELEKTRONIK  |
| F   |           |      |    |                 |                               |   |
| E   |           |      |    |                 |                               |   |
| D   |           |      |    |                 |                               |   |
| C   |           |      |    | APPROVAL: QL    | UNIT: MM                      | DESCRIPTION: SERIE 3867 - 5.00 MM - PCB HEADER (HORIZONTAL / VERTICAL) - GLOW WIRE PLASTIC - WR-TBL |
| B   |           |      |    |                 | SCALE:                        |   |
| A   | 22-AUG-14 | PDF  | AK |                 | SHEET: 1/2                    | WERI PART NO: 691 386 700 0xx   |
| REV | DATE      | FILE | BY |                 | DRAW: AK                      |   |

SIZE

**A4**

1

2

3

4

5

## Cautions and Warnings:

This electronic component is designed and developed with the intention for use in general electronics equipments.

Before incorporating the components into any equipments in the field such as aerospace, aviation, nuclear control, submarine, transportation, (automotive control, train control, ship control), transportation signal, disaster prevention, medical, public information network etc. where higher safety and reliability are especially required or if there is possibility of direct damage or injury to human body, Würth Elektronik must be asked for a written approval.

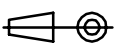

In addition, even electronic component in general electronic equipments, when used in electrical circuits that require high safety, reliability functions or performance, the sufficient reliability evaluation-check for the safety must be performed before by the user before usage.

A

B

C

RoHS Compliant

|     |           |      |    |  |                   |   |                   |
|-----|-----------|------|----|--|-------------------|---|-------------------|
| G   |           |      |    | PROJECTION:<br> | GENERAL TOLERANCE |  |                   |
| F   |           |      |    |  |                   |   |                   |
| E   |           |      |    |  |                   |   |                   |
| D   |           |      |    |  |                   |   |                   |
| C   |           |      |    | APPROVAL: JC   | UNIT: MM          | DESCRIPTION: DISCLAIMER   | SIZE<br><b>A4</b> |
| B   |           |      |    |  | SCALE:            |   |                   |
| A   | 10-SEP-14 | PDF  | QL |  | SHEET: 2/2        | WERI PART NO: DISCLAIMER  |                   |
| REV | DATE      | FILE | BY |  | DRAW: QL          |   |                   |

D

## X-ON Electronics

Largest Supplier of Electrical and Electronic Components

*Click to view similar products for [Pluggable Terminal Blocks](#) category:*

*Click to view products by [Wurth](#) manufacturer:*

Other Similar products are found below :

[57.510.0053](#) [MC 1.5/ 6-ST-3.5 GY AU](#) [ET02015000J0G](#) [734-104](#) [734-302](#) [8-141-P](#) [8426620000](#) [860505](#) [860516](#) [860810](#) [GBPACX-12](#)  
[PV05-5,08-K](#) [PVP02-5,00](#) [PVP03-3,50](#) [PVP04-3,50](#) [PVS02-5,00](#) [1-1986160-3](#) [1377680000](#) [1531000000](#) [1546228-5](#) [ELFH16150](#)  
[ELFP03110](#) [ELFP10210](#) [ELFT06250](#) [ELVP03100](#) [1700101](#) [1700410](#) [1700425](#) [1702246](#) [1705229](#) [1710175](#) [1714537](#) [1717806](#) [1719600](#)  
[1728941](#) [1734692](#) [1734795](#) [1736036](#) [1740194](#) [1740628](#) [1740990](#) [1746952](#) [1750207](#) [1752441](#) [1752865](#) [1754115](#) [1754144](#) [1756913](#)  
[1760051](#) [1760336](#)