

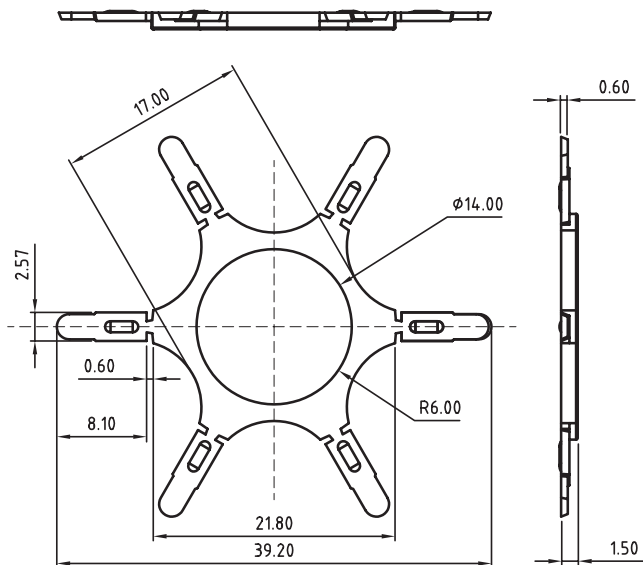
1

2

3

4

5



TECHNICAL CHARACTERISTICS

MATERIAL
 INSULATOR: PA 66
 FLAMABILITY RATING: UL94-V0
 COLOR: RED

ENVIRONMENTAL
 OPERATING TEMPERATURE: -40 UP TO 105°C
 COMPLIANCE: LEAD FREE AND ROHS

MECHANICAL
 APPLICABLE PITCH: 3.50 / 3.81MM

PACKAGING: BOX

INSTRUCTION FOR USE

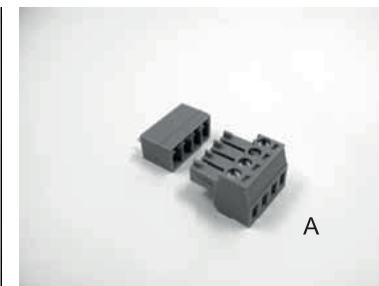
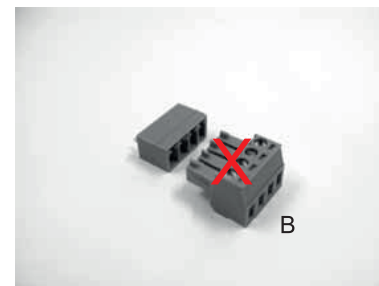
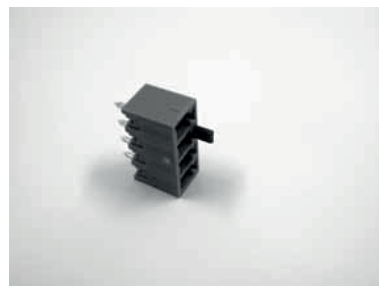
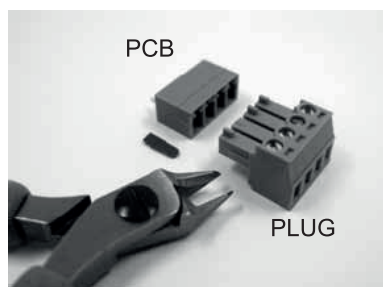
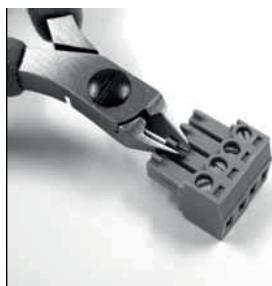
By using a coding key you avoid any risk of mis-plugging

For this you must add/break one part of the 691 399 900 003 in the PCB connector.

To cut the plug's nose on the corresponding pin n° makes the connection possible (see photo A)

Without cutting the plug's nose on the corresponding pin n° the connection becomes impossible (see photo B)

Please use recommended cut plier 600 691 000 001 for an razor cutting



RoHS Compliant

G				PROJECTION: 	GENERAL TOLERANCE .X = ± 0.2 .XX = ± 0.15	
F						
E						
D						
C				APPROVAL: RJ	UNIT: MM	DESCRIPTION: CODING KEY FOR 3.50 & 3.81MM PITCH SERIES WR-TBL
B	18-JUL-13	CODING	QL		SCALE:	
A	05-NOV-08	PDF	JP		SHEET: 1/1	WERI PART NO: 691 399 900 003
REV	DATE	FILE	BY		DRAW: MARVIN	

SIZE

A4

X-ON Electronics

Largest Supplier of Electrical and Electronic Components

Click to view similar products for [Terminal Block Tools & Accessories](#) category:

Click to view products by [Wurth](#) manufacturer:

Other Similar products are found below :

[00171430102](#) [00171420102](#) [600HL](#) [600RJ-07](#) [600RJ-11](#) [600RJ-14](#) [600RJS-10](#) [600RJS-12](#) [600RJS-15](#) [600RJS-21](#) [601RJ-09](#) [602SP](#) [602Z](#)
[604J](#) [CSTSPC1-2](#) [7B941-7](#) [88943-2100](#) [QC102](#) [1437403-6](#) [1437403-9](#) [1437403-8](#) [1453128-1](#) [147832-1](#) [EC0037-000](#) [MT2/H--](#) [MT6/H-N](#)
[MT6/V-GRND](#) [BC2-12](#) [BCC-1-8/10](#) [EP2.5/4UN/BG](#) [1707755](#) [1735590](#) [1755480](#) [1789281](#) [1840227](#) [1840230](#) [2-1437402-1](#) [JA2-03](#) [JB1-](#)
[03/J](#) [JB2-04](#) [JB2-05](#) [JB2-07](#) [JB2-09/J](#) [PARALLELJUMPERLINK](#) [JS601](#) [2204082](#) [2302463](#) [2305949](#) [8PCV-BUSHING](#) [8TK2-24](#)