

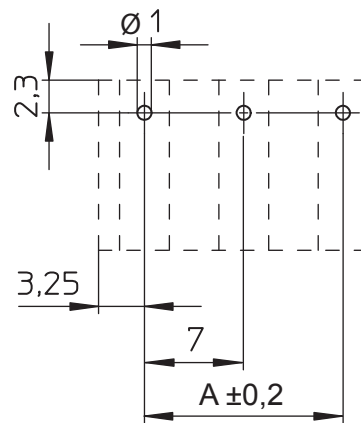
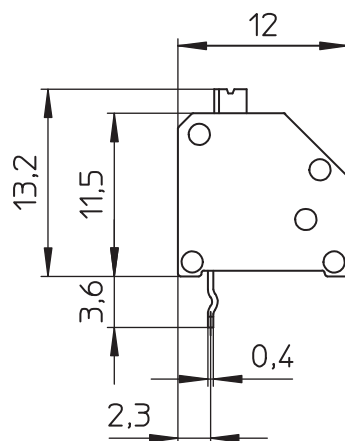
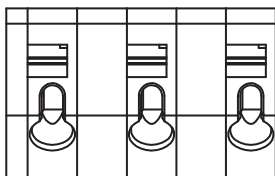
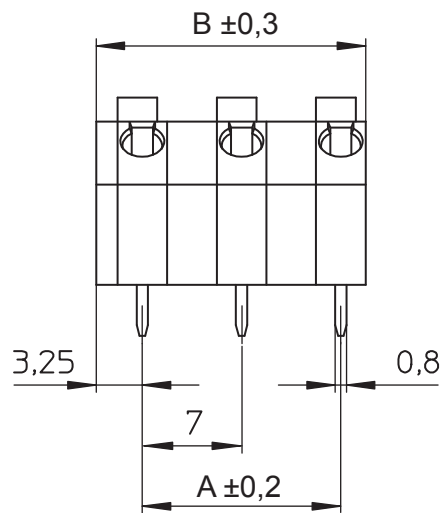
1

2

3

4

5



PCB LAYOUT - COMPONENT VIEW

TECHNICAL CHARACTERISTICS

MATERIAL

INSULATOR: PA6/66

FLAMMABILITY RATING: UL94V0

COLOR: GREY

METAL HOUSING: PHOSPHOR BRONZE / Sn

WIRE GUARD: PHOSPHOR BRONZE / Sn

ENVIRONMENTAL

OPERATING TEMPERATURE: -30°C UP TO +120°C

COMPLIANCE: LEAD FREE AND ROHS

ELECTRICAL

| | UL | VDE |
|-----------------------|-----------|---------|
| CURRENT RATING: | 4 A | 4 A |
| WORKING VOLTAGE: | 300 VAC | 750 VAC |
| WITHSTANDING VOLTAGE: | 1,6 KV | 2,5 KV |
| CONTACT RESISTANCE: | 20 mΩ MAX | |

STANDARD

UL CERTIFIED: E150931

CAT. N°: MRT24 (3)

RoHS CERTIFIED: 40013441

TYPE: MRT24

MECHANICAL

SOLID WIRE: 30-16 AWG / 0,05-1,31 mm²STRANDED WIRE: 30-16 AWG / 0,05-1,31 mm²

WIRE STRIPE LENGTH: 7 mm

PITCH: 7 mm

SOLDERING

JEDEC LEAD FREE WAVE SOLDERING

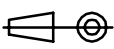

PACKAGING

BOX

A = (nb. pin-1) x pitch

B = (nb. pin x pitch) - 2

RoHS Compliant

| | | | | | | | |
|-----|-----------|------|----|--|-------------------------------|---|-------------------|
| G | | | | PROJECTION:  | GENERAL TOLERANCE ±0,1 |  WÜRTH ELEKTRONIK | |
| F | | | | | | | |
| E | | | | | | | |
| D | | | | | | | |
| C | | | | APPROVAL: FBr | UNIT: MM | DESCRIPTION: SERIE 4172 - 7.00 MM - 45° CABLE ENTRY SCREWLESS - WR-TBL | |
| B | | | | | | | |
| A | 18-FEB-16 | PDF | AK | | | | |
| REV | DATE | FILE | BY | | | | |
| | | | | | SHEET: 1/2 | WERI PART NO: 691 417 220 0xx | SIZE A4 |
| | | | | | DRAW: AK | | |

A

B

C

D

1

2

3

4

5

Cautions and Warnings:

This electronic component is designed and developed with the intention for use in general electronics equipments.

Before incorporating the components into any equipments in the field such as aerospace, aviation, nuclear control, submarine, transportation, (automotive control, train control, ship control), transportation signal, disaster prevention, medical, public information network etc. where higher safety and reliability are especially required or if there is possibility of direct damage or injury to human body, Würth Elektronik must be asked for a written approval.

In addition, even electronic component in general electronic equipments, when used in electrical circuits that require high safety, reliability functions or performance, the sufficient reliability evaluation-check for the safety must be performed before by the user before usage.

A

B

C

RoHS Compliant

| | | | | | | | |
|-----|-----------|------|----|--|-------------------|---|-------------------|
| G | | | | PROJECTION:  | GENERAL TOLERANCE |  | |
| F | | | | | | | |
| E | | | | | | | |
| D | | | | | | | |
| C | | | | APPROVAL: JC | UNIT: MM | DESCRIPTION: DISCLAIMER | SIZE A4 |
| B | | | | | SCALE: | | |
| A | 10-SEP-14 | PDF | QL | | SHEET: 2/2 | WERI PART NO: DISCLAIMER | |
| REV | DATE | FILE | BY | | DRAW: QL | | |

D

X-ON Electronics

Largest Supplier of Electrical and Electronic Components

Click to view similar products for [Fixed Terminal Blocks](#) category:

Click to view products by [Wurth](#) manufacturer:

Other Similar products are found below :

[MBE-1512](#) [MBE-1520](#) [MBE-154](#) [MBE-156](#) [MBES-156](#) [MH-2512](#) [MHE-132](#) [MHE-163](#) [MI-254 \(35\)](#) [MI-272](#) [MPT-275](#) [ELM10110G](#)
[BA311TU](#) [BA411SU](#) [MV-253/NCNOC](#) [MV-254-D](#) [MV-255](#) [MV-493](#) [MVE-252](#) [MVE-253](#) [MVE-273](#) [MVEB-153](#) [1700096](#) [1705142](#)
[1712417](#) [1713088](#) [1745195](#) [1760594](#) [1-796689-8](#) [1-796692-6](#) [1800114](#) [20020314-C121B01LF](#) [20020316-G041B01LF](#) [KP03215000J0G](#)
[KP04215000J0G](#) [S451](#) [29.007](#) [29.116](#) [30.103](#) [30.106](#) [30.503](#) [30.608](#) [30.755](#) [30.853](#) [9872-0-00-15-00-00-33-0](#) [996750](#) [1706303](#) [1710052](#)
[1712418](#) [1733868](#)