

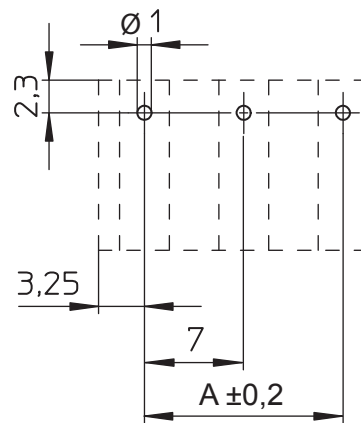
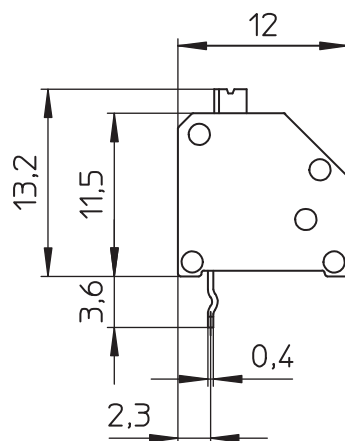
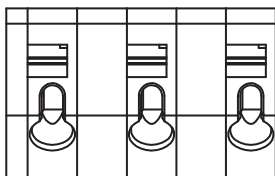
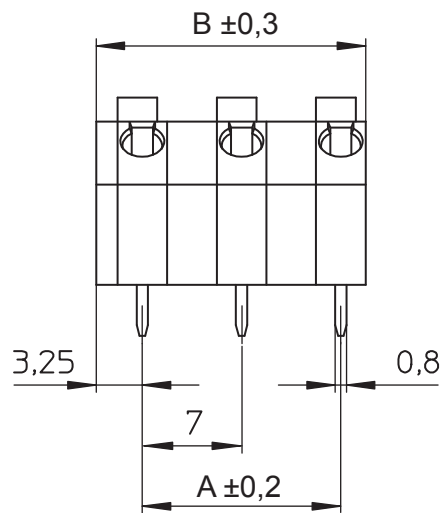
1

2

3

4

5



PCB LAYOUT - COMPONENT VIEW

## TECHNICAL CHARACTERISTICS

## MATERIAL

INSULATOR: PA6/66

FLAMMABILITY RATING: UL94V0

COLOR: GREY

METAL HOUSING: PHOSPHOR BRONZE / Sn

WIRE GUARD: PHOSPHOR BRONZE / Sn

## ENVIRONMENTAL

OPERATING TEMPERATURE: -30°C UP TO +120°C

COMPLIANCE: LEAD FREE AND ROHS

## ELECTRICAL

	UL	VDE
CURRENT RATING:	4 A	4 A
WORKING VOLTAGE:	300 VAC	750 VAC
WITHSTANDING VOLTAGE:	1,6 KV	2,5 KV
CONTACT RESISTANCE:	20 mΩ MAX	

## STANDARD

UL CERTIFIED: E150931

CAT. N°: MRT24 (3)

RoHS CERTIFIED: 40013441

TYPE: MRT24

## MECHANICAL

SOLID WIRE: 30-16 AWG / 0,05-1,31 mm<sup>2</sup>STRANDED WIRE: 30-16 AWG / 0,05-1,31 mm<sup>2</sup>

WIRE STRIPE LENGTH: 7 mm

PITCH: 7 mm

## SOLDERING

JEDEC LEAD FREE WAVE SOLDERING

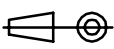

## PACKAGING

BOX

A = (nb. pin-1) x pitch

B = (nb. pin x pitch) - 2

RoHS Compliant

G				PROJECTION: 	GENERAL TOLERANCE  ±0,1	 WÜRTH ELEKTRONIK	
F							
E							
D							
C				APPROVAL: FBr	UNIT: MM	DESCRIPTION: SERIE 4172 - 7.00 MM - 45° CABLE ENTRY SCREWLESS - WR-TBL	
B					SCALE:		
A	18-FEB-16	PDF	AK		SHEET: 1/2	WERI PART NO: 691 417 220 0xx	SIZE <b>A4</b>
REV	DATE	FILE	BY		DRAW: AK		

1

2

3

4

5

## Cautions and Warnings:

This electronic component is designed and developed with the intention for use in general electronics equipments.

Before incorporating the components into any equipments in the field such as aerospace, aviation, nuclear control, submarine, transportation, (automotive control, train control, ship control), transportation signal, disaster prevention, medical, public information network etc. where higher safety and reliability are especially required or if there is possibility of direct damage or injury to human body, Würth Elektronik must be asked for a written approval.

In addition, even electronic component in general electronic equipments, when used in electrical circuits that require high safety, reliability functions or performance, the sufficient reliability evaluation-check for the safety must be performed before by the user before usage.

A

B

C

RoHS Compliant

G				PROJECTION: 	GENERAL TOLERANCE	 WÜRTH ELEKTRONIK	
F							
E							
D							
C				APPROVAL: JC	UNIT: MM	DESCRIPTION: DISCLAIMER	SIZE <b>A4</b>
B					SCALE:		
A	10-SEP-14	PDF	QL		SHEET: 2/2	WERI PART NO: DISCLAIMER	
REV	DATE	FILE	BY		DRAW: QL		

D

## X-ON Electronics

Largest Supplier of Electrical and Electronic Components

*Click to view similar products for [Fixed Terminal Blocks](#) category:*

*Click to view products by [Wurth](#) manufacturer:*

Other Similar products are found below :

[MBE-1512](#) [MBE-1520](#) [MBE-154](#) [MBE-156](#) [MBES-156](#) [MH-2512](#) [MHE-132](#) [MHE-163](#) [MI-254 \(35\)](#) [MI-272](#) [MPT-275](#) [ELM10110G](#)  
[BA311TU](#) [BA411SU](#) [MV-253/NCNOC](#) [MV-254-D](#) [MV-255](#) [MV-493](#) [MVE-252](#) [MVE-253](#) [MVE-273](#) [MVEB-153](#) [1700096](#) [1705142](#)  
[1712417](#) [1713088](#) [1745195](#) [1760594](#) [1-796689-8](#) [1-796692-6](#) [1800114](#) [20020314-C121B01LF](#) [20020316-G041B01LF](#) [KP03215000J0G](#)  
[KP04215000J0G](#) [S451](#) [29.007](#) [29.116](#) [30.103](#) [30.106](#) [30.503](#) [30.608](#) [30.755](#) [30.853](#) [9872-0-00-15-00-00-33-0](#) [996750](#) [1706303](#) [1710052](#)  
[1712418](#) [1733868](#)