

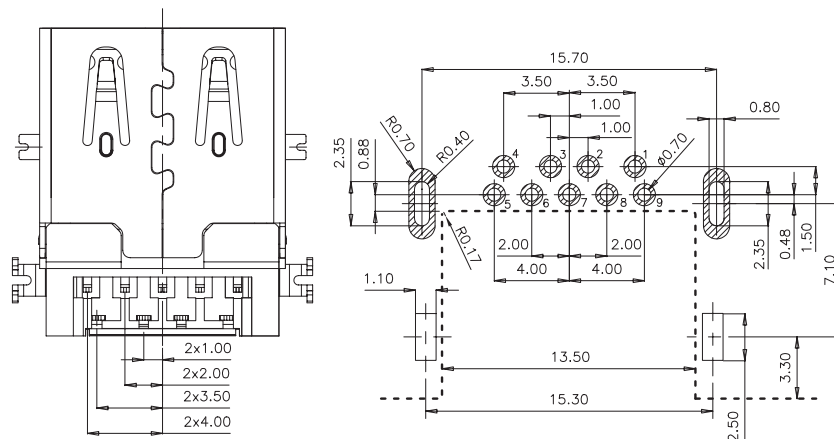
1

2

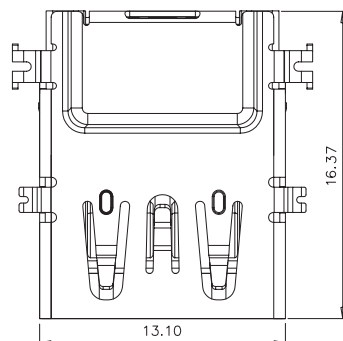
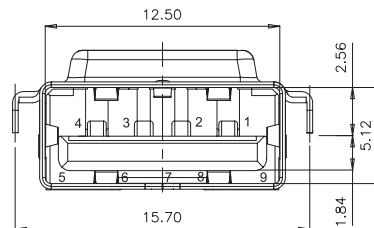
3

4

5



PCB LAYOUT \* - COMPONENT VIEW



## TECHNICAL CHARACTERISTICS

## MATERIAL

INSULATOR: LCP

FLAMABILITY RATING: UL94-V0

COLOR: BLUE

CONTACT MATERIAL: PHOSPHORE BRONZE

CONTACT TYPE: STAMPED

CONTACT PLATING: UNDERPLATE 1.27 to 2.54  $\mu\text{m}$  NiCONTACT AREA 0.76  $\mu\text{m}$  GoldSOLDER TAIL AREA 2.54 to 5.08  $\mu\text{m}$  Matt Tin

SHIELDING: BRASS MATT TIN PLATED

## ENVIRONMENTAL

OPERATING TEMPERATURE: -20 up to +85°C

COMPLIANCE: RoHS &amp; LEAD FREE AS PER DIRECTIVE 2002/95/EC

HALOGEN FREE COMPLIANT AS PER IEC 61249-2-21

## ELECTRICAL

CURRENT RATING:

- PIN 1 &amp; PIN 4 (Vbus &amp; corresponding ground PIN) 1.8A Max

- OTHER PINS 0.25 A Max

WORKING VOLTAGE: 30Vac

DIELECTRIC WITHSTANDING VOLTAGE: 100Vac/min

INSULATION RESISTANCE: > 100M $\Omega$ 

CONTACT RESISTANCE:

- PIN 1 & PIN 4: 30m $\Omega$  Max- OTHER PINS: 50m $\Omega$  Max

## STANDARD

 CERTIFIED: E323964 / MODEL NUMBER 692121330100

## MECHANICAL

INSERTION FORCE: 35.0N Max

EXTRACTION FORCE: 10.0N min

QUALITY CLASS: 5000 MATING CYCLES

## SOLDERING

JEDEC LEAD FREE REFLOW &amp; WAVE SOLDERING

## PACKAGING

TAPE &amp; REEL

\* NOTE: THE RECOMMENDED PCB LAYOUT IS FOR AN OPTIMIZED RETENTION FORCE OF CONNECTOR ON PCB BUT IT IMPLIES INSERTION FORCE THAT A LOT OF PICK AND PLACE MACHINES ARE NOT ABLE TO HANDLE. THEREFORE IT MIGHT BE NECESSARY TO DRILL BIGGER HOLES FOR THE CLIPS. PLEASE CHECK THIS CAREFULLY.

RoHS Compliant

PROJECTION:



GENERAL TOLERANCE

.X =  $\pm$  0.2.XX =  $\pm$  0.15

APPROVAL: NPr

UNIT: MM

SCALE:

SHEET: 1/3

DRAW: JOE

DESCRIPTION: USB 3.0 REVERSE HORIZONTAL TYPE A  
WITH OFFSET 1.75 MM

WERI PART NO: 692 121 330 100

SIZE

A4

H	17-JUL-17	SOLDERING	AK
REV	DATE	FILE	BY

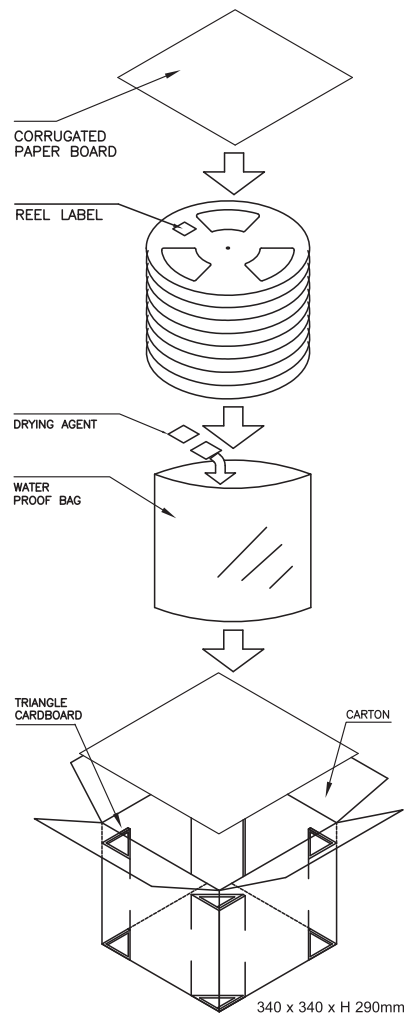
1

2

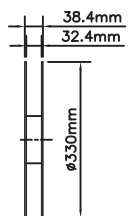
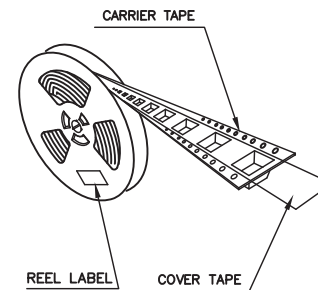
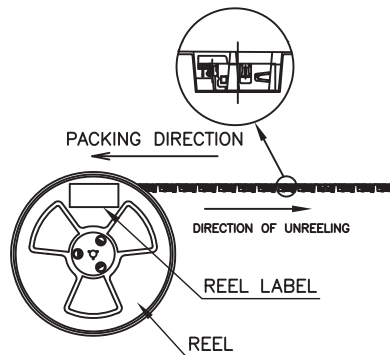
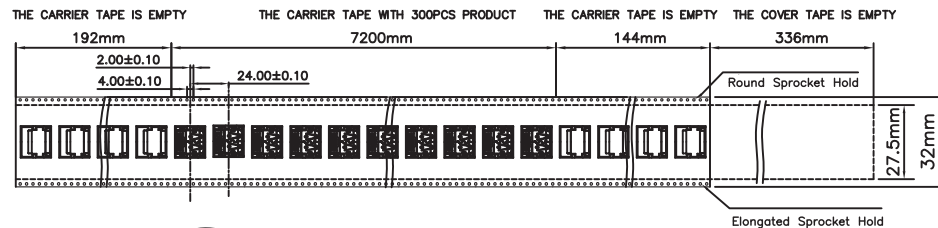
3

4

5



PACKING DIRECTION



## NOTES

1. MATERIALS: PS ANTI STATIC
  2. PACKING: TAPE REEL(300PCS/REEL, 2100PCS/CAR)
- All Material in According With The RoHS Environ Related Substances List Controlled.

RoHS Compliant

PROJECTION:



GENERAL TOLERANCE

.X =  $\pm 0.2$ .XX =  $\pm 0.15$ 

APPROVAL: RJ

UNIT: MM

SCALE:

SHEET: 2/3

DRAW: JOE

DESCRIPTION: USB 3.0 REVERSE HORIZONTAL TYPE A WITH OFFSET 1.75 MM

WERI PART NO: 692 121 330 100

SIZE

A4

G			
F			
E			
D			
C			
B			
A			
REV	DATE	FILE	BY

1

2

3

4

5

## Cautions and Warnings:

This electronic component is designed and developed with the intention for use in general electronics equipments.

Before incorporating the components into any equipments in the field such as aerospace, aviation, nuclear control, submarine, transportation, (automotive control, train control, ship control), transportation signal, disaster prevention, medical, public information network etc. where higher safety and reliability are especially required or if there is possibility of direct damage or injury to human body, Würth Elektronik must be asked for a written approval.

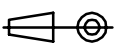

In addition, even electronic component in general electronic equipments, when used in electrical circuits that require high safety, reliability functions or performance, the sufficient reliability evaluation-check for the safety must be performed before by the user before usage.

A

B

C

RoHS Compliant

G				PROJECTION: 	GENERAL TOLERANCE .X = +/- 0.2 .XX = +/- 0.15		
F							
E							
D							
C				APPROVAL: JC	UNIT: MM	DESCRIPTION: DISCLAIMER	SIZE <b>A4</b>
B					SCALE:		
A	10-SEP-14	PDF	QL		SHEET: 3/3	WERI PART NO: DISCLAIMER	
REV	DATE	FILE	BY		DRAW: QL		

D

## X-ON Electronics

Largest Supplier of Electrical and Electronic Components

*Click to view similar products for [USB Connectors](#) category:*

*Click to view products by [Würth](#) manufacturer:*

Other Similar products are found below :

[65-647-8-BK-BU](#) [950](#) [952](#) [E8144-B01021-L](#) [A-USB B-TOP-C](#) [MUSBA511N5](#) [MUSBD11135](#) [217450-1](#) [KMBVX-TH-5S-B30](#) [896-30-004-00-000000](#) [KUSBVX-BS1N-W30](#) [KUSBX-AP-KIT-SCBLK](#) [KUSBX-AS2N-W](#) [KUSBX-SMT2AP1S-W](#) [KUSBX-SMT2AP1S-W30](#) [935](#) [957](#) [30-498-6](#) [SK-60A-2](#) [17-210051](#) [1734082-1](#) [30-1574](#) [30-470](#) [30-489](#) [30-541](#) [30-572-3](#) [A-USB A-2P-C](#) [MIKROE-1451](#) [USBFTV2PEM2G](#) [USBFTVC6ZN](#) [KUSBX-AS2N-W30](#) [KUSBX-SLAS1N-W](#) [KUSBX-SMT-AS1N-W30](#) [4689-1](#) [1-1734084-2](#) [E8110-001-01](#) [33UBARS1-04SW11](#) [33UBAR-04SW11](#) [USBF21ZNSCC](#) [USBBFTV6ZC](#) [10135326-001LF](#) [USB-A-S-F-B-VT](#) [925](#) [4198](#) [690-024-633-031](#) [KUSBEX-BSFS1N-W](#) [USBFTVC6MRG](#) [UA-20BMFA-SL8001](#) [17-250101](#) [USBFTVC7ZC](#)