

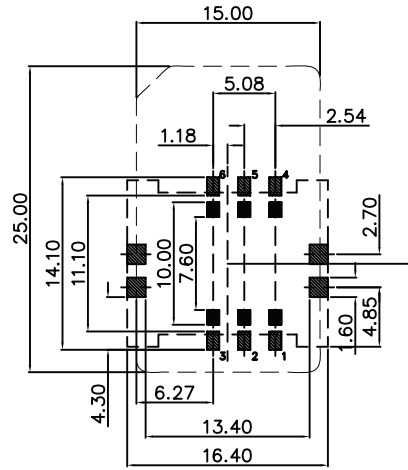


1 2 3 4 5

PIN No	NAME	DESCRIPTION
1	Voc	+5 VDC
2	RESET	RESET
3	CLOCK	Clocking or timing Signal
4	GND	REFERENCE
5	Vpp	Programming Voltage
6	1.0	Serial Data

 SOLDER PAD  
 THESE AREA SHOULD BE FREE OF ANY CONDUCTIVE TRACES



TECHNICAL CHARACTERISTICS

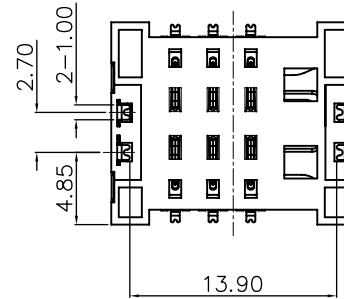
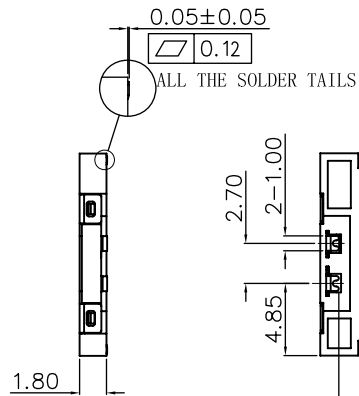
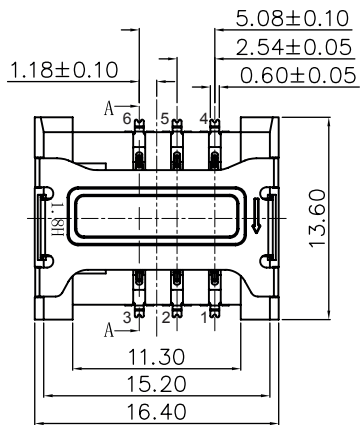
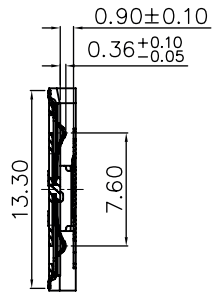
MATERIAL  
 INSULATOR: LCP  
 FLAMABILITY RATING: UL94-V0  
 COLOR: BLACK  
 CONTACT MATERIAL: COPPER ALLOY  
 CONTACT TYPE: STAMPED  
 CONTACT PLATING: SELECTIVE GOLD  
 SHIELDING: STAINLESS STEEL  
 QUALITY CLASS: 5000 MATING CYCLES

ENVIRONMENTAL  
 OPERATING TEMPERATURE: -25 UP TO 85°C  
 COMPLIANCE: LEAD FREE AND ROHS

ELECTRICAL  
 CURRENT RATING: 0.5 A  
 WORKING VOLTAGE: 50 VAC  
 INSULATOR RESISTANCE: >500 MΩ  
 WITHSTANDING VOLTAGE: 500 VAC/MIN  
 CONTACT RESISTANCE: 50 mΩ MAX

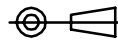
SOLDERING  
 JEDEC LEAD FREE REFLOW SOLDERING PROCESS

PACKAGING  
 TAPE & REEL



RoHS Compliant

PROJECTION:



GENERAL TOLERANCE

.X = +/- 0.2  
 .XX = +/- 0.15



APPROVAL: RJ

UNIT: MM

SCALE:

SHEET: 1/2

DRAW: VICKY

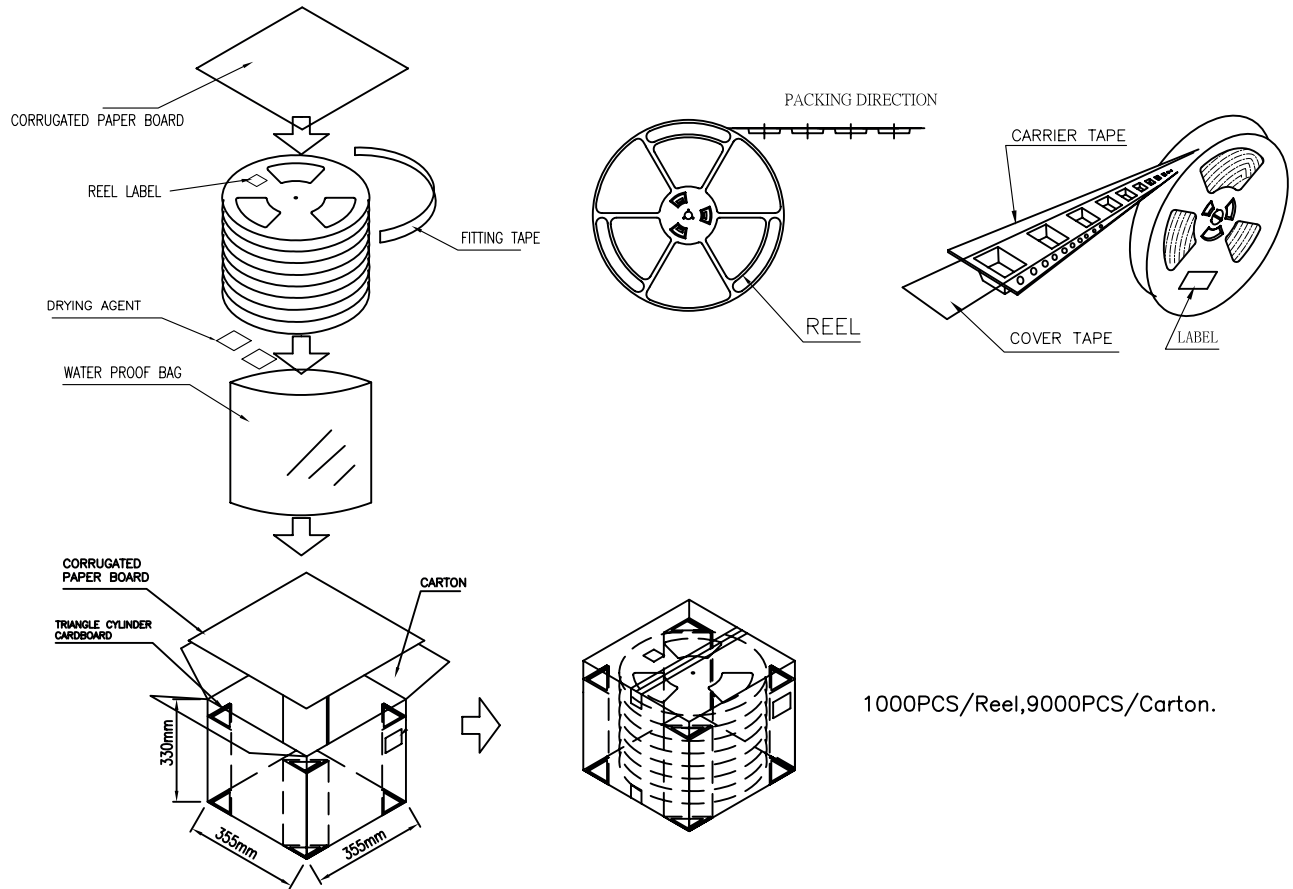
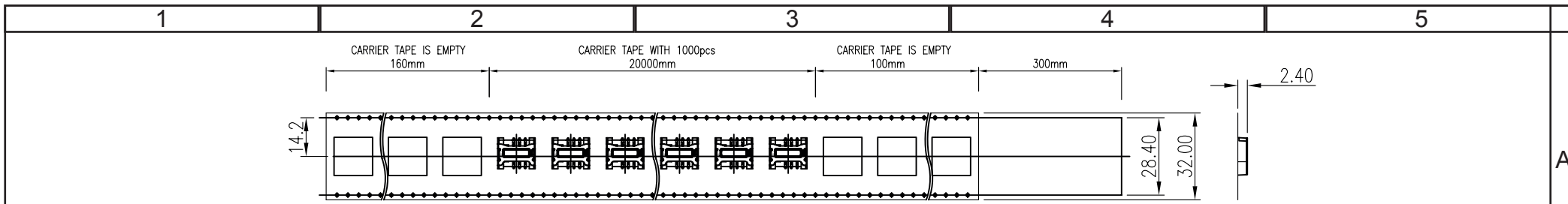
DESCRIPTION: SIM Card Connector - Header Shielded - W/O card stop - 6 pins

WERI PART NO: 693 010 030 601

SIZE

**A4**

REV	DATE	FILE	BY
E	22-AUG-14	LAYOUT DIM	AS
D	12-MAY-14	PINNING	QL
C	25-MAR-14	LAYOUT UPDATE	QL
B	10-JAN-12	DRAWING & TKP	GG
A	11-AUG-31	PDF	GG



1000PCS/Reel,9000PCS/Carton.

RoHS Compliant				PROJECTION: 	GENERAL TOLERANCE .X = +/- 0.2 .XX = +/- 0.15	 <b>DESCRIPTION: SIM Card Connector - Header Shielded - W/O card stop - 6 pins</b>	SIZE
APPROVAL: RJ	UNIT: MM		SCALE:	DESCRIPTION: SIM Card Connector - Header Shielded - W/O card stop - 6 pins	SIZE		
REV	DATE	FILE	BY	SHEET: 2/2	WERI PART NO: 693 010 030 601	<b>A4</b>	
				DRAW: VICKY			

## X-ON Electronics

Largest Supplier of Electrical and Electronic Components

*Click to view similar products for [Memory Card Connectors](#) category:*

*Click to view products by [Würth](#) manufacturer:*

Other Similar products are found below :

[M21-033321-005](#) [6407-249V-25273P](#) [6407-249V-25343P](#) [6426-201-21343](#) [69.920.0553.0](#) [FCN-568P068-G/07-4V](#) [809180410000000](#)  
[HMCAP001](#) [252-0144-000](#) [2041353-2](#) [33CFAE-DN](#) [502431-1011](#) [NX1-32T-KT3K\(05\)](#) [95622-003LF](#) [N7E50-U516RB-50-SIN0005](#) [95079-00CALF](#) [33DVIR-29S12R](#) [125A-78C00](#) [MI20A-50PD-SF-EJL\(71\)](#) [KP10S-SF-PEJ\(812\)](#) [504536-0691](#) [504580-0691](#) [CCM03-3109 B LFT](#)  
[MI21-50PD-SF\(91\)](#) [2309923-1](#) [61126-050CAHLF](#) [IC1GA-68PD-1.27DS-EJ\(72\)](#) [GTFP08432B1HR](#) [G85DT17001P1EU](#)  
[G85B21611142HHR](#) [GSD090144HR](#) [G85D1140022P1HR](#) [GMCB05801124EU](#) [G85C11101152HHR](#) [G85B231021B1HR](#)  
[G85D1160022HHR](#) [112K-TAA0-RA1](#) [115S-ACA2](#) [115S-ACA3](#) [115S-BS00](#) [115S-BT00](#) [115V-AD00](#) [503960-0695](#) [101B-TAA0-R](#) [101D-TAAA-R01](#) [101D-TAAB-R01](#) [104D-TCA0-R06](#) [104B-TAA0-R](#) [112C-TBAR-R02](#) [114B-40B00-R02](#)