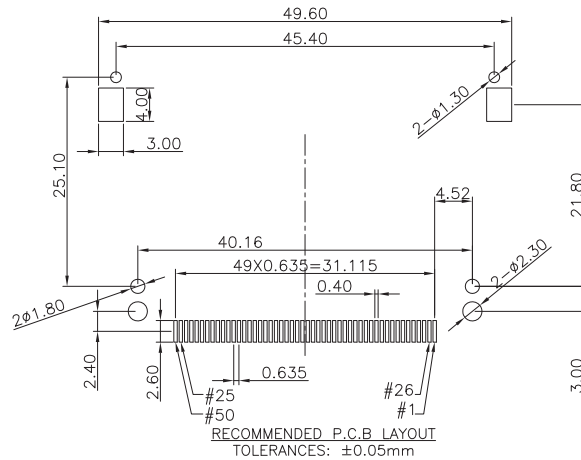
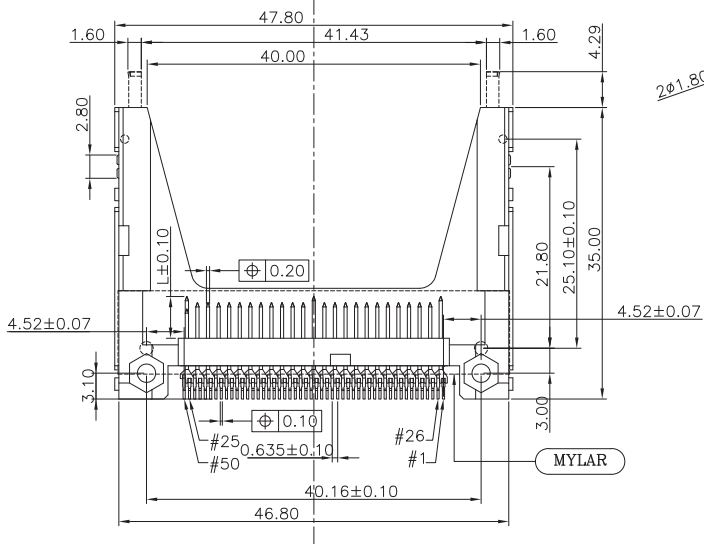
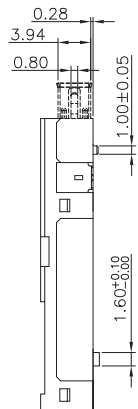
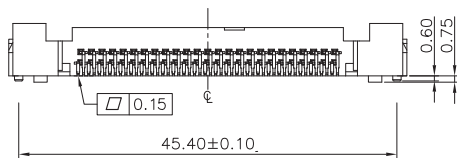
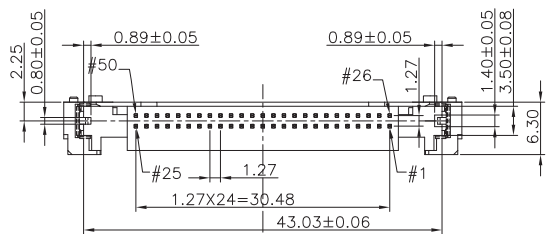




SOLDER POSITION



RECOMMENDED P.C.B LAYOUT
TOLERANCES: ±0.05mm



Pin type	Interface Dim. L	Pin No.
POWER	5.00mm	1,13,38,50
GENERAL	4.25mm	all other pins
DETECT	3.50mm	25,26

TECHNICAL CHARACTERISTICS

MATERIAL
INSULATOR: LCP
FLAMMABILITY RATING: UL94-V0
COLOR: WHITE
CONTACT MATERIAL: COPPER ALLOY
CONTACT TYPE: STAMPED
CONTACT PLATING: GOLD
QUALITY CLASS: 5000 MATING CYCLES

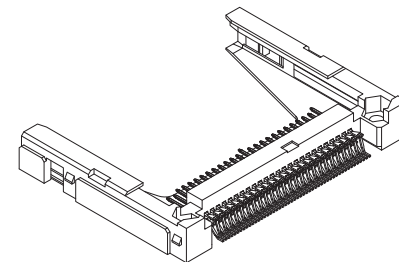
ENVIRONMENTAL
OPERATING TEMPERATURE: -25°C u p to +85°C
COMPLIANCE: LEAD FREE AND ROHS

ELECTRICAL
CURRENT RATING: 0.5A
WORKING VOLTAGE: 50 VAC
INSULATOR RESISTANCE: >500 MΩ
DIELECTRIC WITHSTANDING VOLTAGE: 500 VAC/MIN
CONTACT RESISTANCE: 50 mΩ MAX

STANDARD
CERTIFIED: E323964

SOLDERING
JEDEC LEAD FREE REFLOW SOLDERING

PACKAGING
TAPE & REEL



RoHS Compliant			
G			
F			
E			
D	24-NOV-15	UL CERTIFICATION	AK
C	05-NOV-14	COLOR + DISCLAIM.	AS
B	17-FEB-12	TKP	GG
A	31-AUG-11	PDF	GG
REV	DATE	FILE	BY

PROJECTION:



APPROVAL: NPR

GENERAL TOLERANCE

.X = ± 0.2
.XX = ± 0.15



UNIT: MM

SCALE:

SHEET: 1/3

DRAW: AS

DESCRIPTION: Compact Flash Card Connector - Header - 50 pins - WR-CRD

WERI PART NO: 693 120 015 011

SIZE

A4

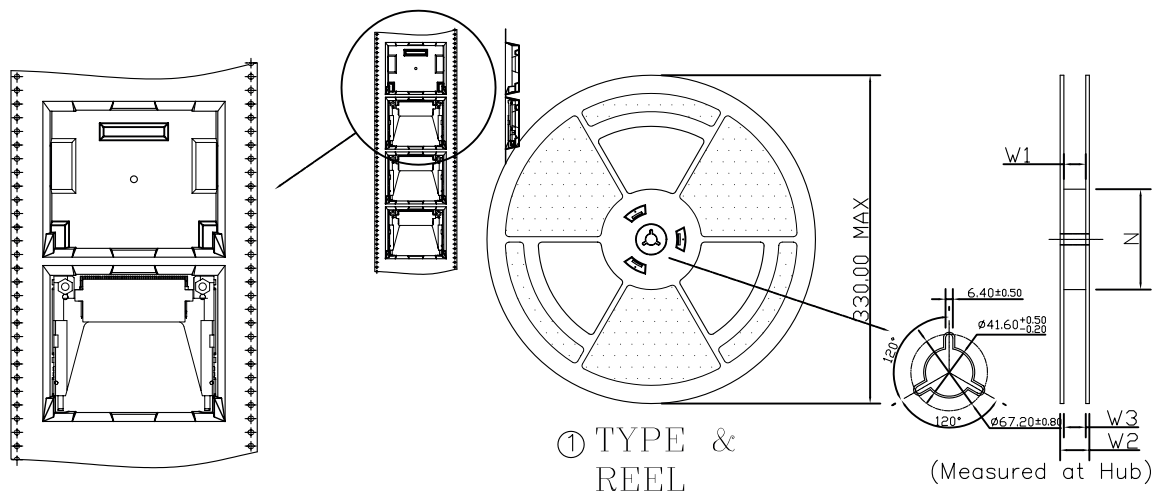
1

2

3

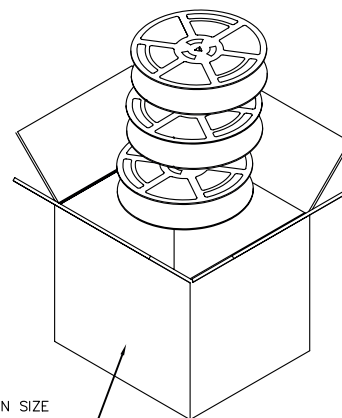
4

5

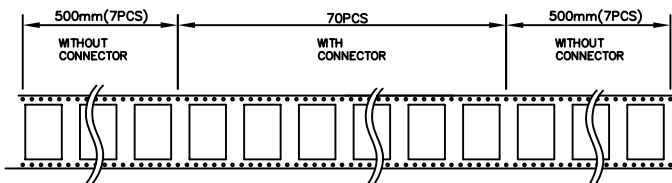


NOTES
 1. MATERIALS: PS (BLUE)
 2. PACKING: 70PCS/TYPE & REEL
 (210PCS/CARTON)

Tape Size	N (Min)	W1 ^{+2.00} / ₋₀	W2(Max)	W3(Max)
72	100	72.4	78.4	75.4



CARTON SIZE
 355(L)X355(W)X330(H)



RoHS Compliant

PROJECTION:



GENERAL TOLERANCE

.X = ^{+/-} 0.2

.XX = ^{+/-} 0.15



APPROVAL: NPr

UNIT: MM

SCALE:

SHEET: 2/3

DRAW: AS

DESCRIPTION: Compact Flash Card Connector - Header - 50 pins - WR-CRD

WERI PART NO: 693 120 015 011

SIZE

A4

REV	DATE	FILE	BY

1

2

3

4

5

Cautions and Warnings:

This electronic component is designed and developed with the intention for use in general electronics equipments.

Before incorporating the components into any equipments in the field such as aerospace, aviation, nuclear control, submarine, transportation, (automotive control, train control, ship control), transportation signal, disaster prevention, medical, public information network etc. where higher safety and reliability are especially required or if there is possibility of direct damage or injury to human body, Würth Elektronik must be asked for a written approval.

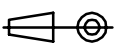

In addition, even electronic component in general electronic equipments, when used in electrical circuits that require high safety, reliability functions or performance, the sufficient reliability evaluation-check for the safety must be performed before by the user before usage.

A

B

C

RoHS Compliant

G				PROJECTION: 	GENERAL TOLERANCE .X = +/- 0.2 .XX = +/- 0.15		
F							
E							
D							
C				APPROVAL: JC	UNIT: MM	DESCRIPTION: DISCLAIMER	SIZE A4
B					SCALE:		
A	10-SEP-14	PDF	QL		SHEET: 3/3	WERI PART NO: DISCLAIMER	
REV	DATE	FILE	BY		DRAW: QL		

D

X-ON Electronics

Largest Supplier of Electrical and Electronic Components

Click to view similar products for [Memory Card Connectors](#) category:

Click to view products by [Wurth](#) manufacturer:

Other Similar products are found below :

[M21-033321-005](#) [6407-249V-25273P](#) [6407-249V-25343P](#) [6426-201-21343](#) [69.920.0553.0](#) [FCN-568P068-G/07-4V](#) [809180410000000](#)
[HMCAP001](#) [252-0144-000](#) [2041353-2](#) [33CFAE-DN](#) [502431-1011](#) [617230001](#) [NX1-32T-KT3K\(05\)](#) [95622-003LF](#) [N7E50-U516RB-50-](#)
[SIN0005](#) [95079-00CALF](#) [33DVIR-29S12R](#) [125A-78C00](#) [MI20A-50PD-SF-EJL\(71\)](#) [KP10S-SF-PEJ\(812\)](#) [504536-0691](#) [504580-0691](#)
[CCM03-3109 B LFT](#) [MI21-50PD-SF\(91\)](#) [2309923-1](#) [61126-050CAHLF](#) [IC1GA-68PD-1.27DS-EJ\(72\)](#) [GTFP08432B1HR](#)
[G85DT17001P1EU](#) [G85B21611142HHR](#) [GSD090144HR](#) [G85D1140022P1HR](#) [GMCB05801124EU](#) [G85C11101152HHR](#)
[G85B231021B1HR](#) [G85D1160022HHR](#) [123A-21M00](#) [123A-30B00](#) [123A-30A00](#) [123A-21A00](#) [123A-21B00](#) [123A-21E00](#) [123A-30E00](#)
[123A-30M00](#) [123A-40A00](#) [123A-40E00](#) [123A-40M00](#) [123A-58B01](#) [123A-85BA0](#)