

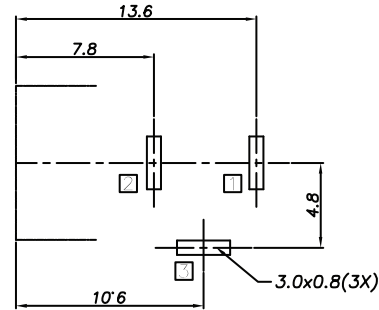
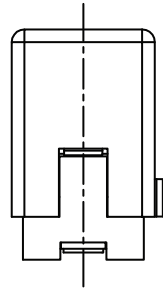
1

2

3

4

5



PCB LAYOUT - COMPONENT VIEW  
TOLERANCE  $\pm 0.05$

#### TECHNICAL CHARACTERISTICS

##### MATERIAL

INSULATOR: PA 66  
 FLAMMABILITY RATING: UL94-V0  
 COLOR: BLACK  
 CONTACT MATERIAL: COPPER ALLOY  
 CONTACT TYPE: STAMPED  
 PLATING:  
 - CENTER PIN: GOLD  
 - CENTER PIN TERMINAL: TIN  
 - SHUNT TERMINAL: TIN  
 - TIP SPRING: TIN  
 QUALITY CLASS: 5000 MATING CYLCES

##### ENVIRONMENTAL

OPERATING TEMPERATURE:  $-40^{\circ}\text{C}$  UP TO  $+85^{\circ}\text{C}$   
 COMPLIANCE: LEAD FREE AND ROHS

##### ELECTRICAL

CURRENT RATING: 5A  
 WORKING VOLTAGE: 30 VDC  
 INSULATION RESISTANCE:  $>100\ \text{M}\Omega$   
 DIELECTRIC WITHSTANDING VOLTAGE: 500 VAC/MIN  
 CONTACT RESISTANCE: 50 m $\Omega$  max

##### STANDARD

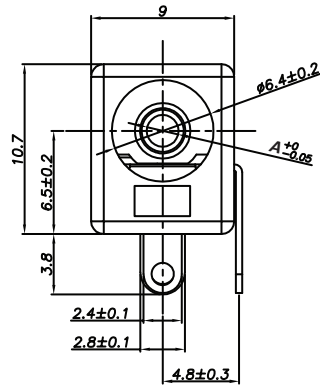
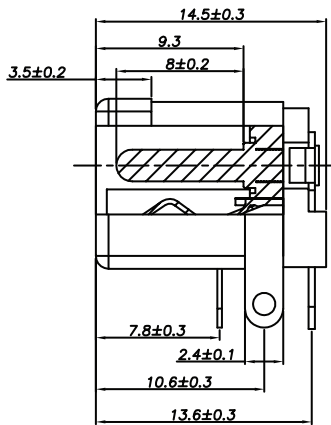
UL US CERTIFIED: E323964

##### SOLDERING

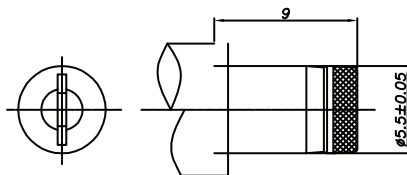
JEDEC LEAD FREE WAVE SOLDERING PROCESS

##### PACKAGING

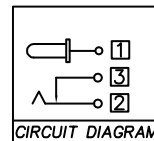
BAG



Ø A	2.0	2.5
XX	06	08
PLUG INNER Ø	2.05 <sup>+0.10</sup> <sub>-0.00</sub>	2.55 <sup>+0.10</sup> <sub>-0.00</sub>
PLUG OUTER Ø	5.5±0.05	5.5±0.05



DC MATE PLUG



CIRCUIT DIAGRAM

□ : TERMINAL NO.

RoHS Compliant

PROJECTION:



GENERAL TOLERANCE

X =  $\pm 0.50$

.X =  $\pm 0.30$

.XX =  $\pm 0.20$



APPROVAL: JTs

UNIT: MM

SCALE:

SHEET: 1/3

DRAW: AS

DESCRIPTION: DC POWER JACK - RIGHT ANGLED - THT - Ø 2.0 & 2.5 -WR-DC

WERI PART NO: 694 1xx 301 002

SIZE

**A4**

G			
F			
E			
D			
C			
B	02-NOV-15	VOLTAGE / CERTIF	AK
A	06-NOV-14	PDF	AS
REV	DATE	FILE	BY

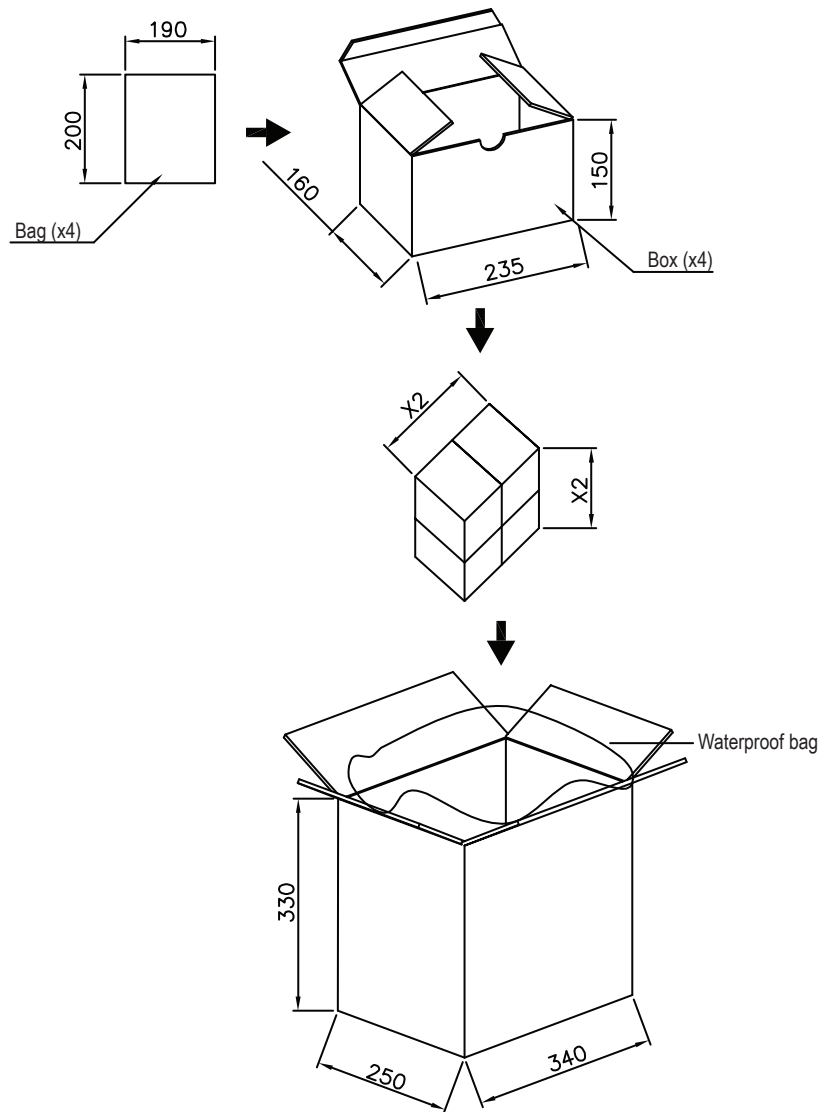
1

2

3

4

5



500 pcs/bag

4 bags/box  
2000 pcs/box4 boxes/carton  
8000 pcs/carton

RoHS Compliant

PROJECTION:



GENERAL TOLERANCE

.X =  $\pm$  0.2.XX =  $\pm$  0.15

APPROVAL: JTs

UNIT: MM

SCALE:

SHEET: 2/3

DRAW: AS

DESCRIPTION: DC POWER JACK - RIGHT ANGLED - THT - Ø 2.0 &amp; 2.5 - WR-DC

SIZE

WERI PART NO: 694 1xx 301 002

**A4**

G			
F			
E			
D			
C			
B			
A	29-OCT-14	PDF	AS
REV	DATE	FILE	BY

1

2

3

4

5

## Cautions and Warnings:

This electronic component is designed and developed with the intention for use in general electronics equipments.

Before incorporating the components into any equipments in the field such as aerospace, aviation, nuclear control, submarine, transportation, (automotive control, train control, ship control), transportation signal, disaster prevention, medical, public information network etc. where higher safety and reliability are especially required or if there is possibility of direct damage or injury to human body, Würth Elektronik must be asked for a written approval.

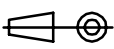

In addition, even electronic component in general electronic equipments, when used in electrical circuits that require high safety, reliability functions or performance, the sufficient reliability evaluation-check for the safety must be performed before by the user before usage.

A

B

C

RoHS Compliant

G				PROJECTION: 	GENERAL TOLERANCE .X = +/- 0.2 .XX = +/- 0.15	 <b>WÜRTH ELEKTRONIK</b>	
F							
E							
D							
C				APPROVAL: JC	UNIT: MM	DESCRIPTION: DISCLAIMER	SIZE <b>A4</b>
B					SCALE:		
A	10-SEP-14	PDF	QL		SHEET: 3/3	WERI PART NO: DISCLAIMER	
REV	DATE	FILE	BY		DRAW: QL		

D

## X-ON Electronics

Largest Supplier of Electrical and Electronic Components

*Click to view similar products for [DC Power Connectors](#) category:*

*Click to view products by [Wurth](#) manufacturer:*

Other Similar products are found below :

[RAPC3FG](#) [B04P-VL-VN-1.8](#) [1600206-1](#) [163-0302](#) [163-0310-EX](#) [163-4024](#) [163-4117-EX](#) [163-5005-E](#) [163-7421](#) [171-0721-EX](#) [171-3118-EX](#) [173-23507-ST-EX](#) [KLDVX-SMT-02-ATR](#) [KLDX-SMT-0202-BP](#) [KLDX-SMT-0202-BPTR](#) [163-0179-EX](#) [163-0307-E](#) [163-4119-E](#) [171-0722-E](#) [171-3218-EX](#) [171-7391](#) [173-3413-ST-EX](#) [RAPCBRK](#) [K596](#) [KLD-0201-BC](#) [KLDVX-SMT-02-BTR](#) [KPPX-D](#) [RAPC3MHG](#) [RASM752TRX](#) [163-4800-E](#) [4C6831AX](#) [ACJS-HHDR-AU](#) [TS3PNJ](#) [DC-025LM-5A-2.5](#) [CL14218R](#) [AS250F RED](#) [DC-105-4A-1.6](#) [09441](#) [AS120-F](#) [09442](#) [AS120-M](#) [CP30240](#) [TAMIYA-M](#) [TAMIYA-MT1](#) [TAMIYA-MT2](#) [4840.1200](#) [4840.2202](#) [C5080HI-04P-18 + C5080HI-C](#) [JC-138](#) [JPO-25 \(FC6814\)](#) [JYO-26 \(FC6811\)](#) [JYO-29 \(FC68102\)](#)