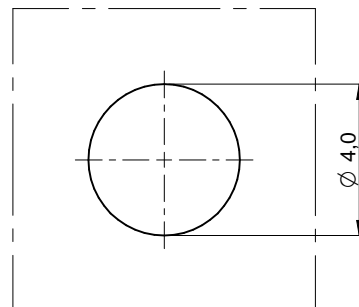
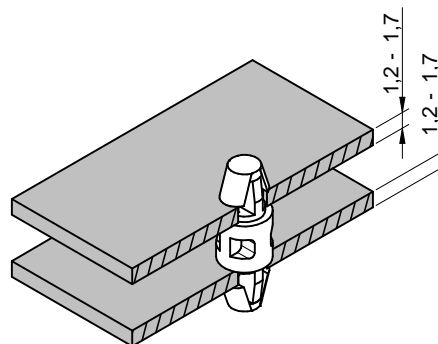


### Hole Pattern



### Panel Thickness



Order Code	L (mm)
709620200	3,0 ±0.2
709620400	3,5 ±0.2
709620600	4,0 ±0.2
709620800	5,0 ±0.3
709621000	6,0 ±0.3
709621200	6,4 ±0.3
709621400	8,0 ±0.3
709621600	10,0 ±0.3
709621800	10,5 ±0.3
709622000	11,5 ±0.3
709622200	12,0 ±0.3
709622400	12,7 ±0.3
709622600	14,0 ±0.3
709622800	15,9 ±0.3
709623000	18,0 ±0.3
709623200	19,0 ±0.3
709623400	20,0 ±0.4
709623600	25,0 ±0.4
709623800	27,0 ±0.4
709624000	30,0 ±0.4
709624200	34,0 ±0.4
709624400	69,0 ±0.8
709624600	71,2 ±0.8
709624800	72,0 ±0.8
709625000	74,2 ±0.8
709625200	80,0 ±0.8

Operating Temperature: -30°C up to +85°C  
 Flammability according to: UL94 V-2

				Würth Elektronik eiSos GmbH & Co. KG EMC & Inductive Solutions	CREATED DaF	CHECKED SKI	GENERAL TOLERANCE DIN ISO 2768-1m	PROJECTION METHOD		SIZE A4
				Max-Eyth-Str. 1 74638 Waldenburg Germany com. +49 79 42 945 - 0	DESCRIPTION <b>AsSNSN Snap-on spacer, arresting on both sides</b>			TECHNICAL REFERENCE	MATERIAL Nylon 66, natural	
				www.we-online.de eiSos@we-online.de	SIZE xxx xxx xxx	WEIGHT	STATUS Released	DATE 2017-03-21	BUSINESS UNIT eiCan	PAGE 1 / 1
REV.	FILE	DATE	BY		ORDER CODE 70962xxxx					



## **X-ON Electronics**

Largest Supplier of Electrical and Electronic Components

*Click to view similar products for [Wurth manufacturer](#):*

Other Similar products are found below :

[742700](#) [74270062](#) [7446222002](#) [750314624](#) [750341638](#) [30405S](#) [31402](#) [7446321027](#) [744732100](#) [744741471](#) [744772681](#) [744777](#)  
[890334025009](#) [178050601](#) [61308021121](#) [615008138221](#) [744999](#) [7446823003](#) [744028](#) [66201621822](#) [691301710003](#) [7446221012](#) [744720](#)  
[760390015](#) [760895431](#) [662006236022](#) [64900621822](#) [74436410330](#) [78438357100](#) [890334026014](#) [744839208072](#) [744762A/RFI](#) [7449984](#)  
[750310346](#) [861011384014](#) [750817018](#) [7449982](#) [3021717](#) [3020903](#) [885342](#) [2603019321001](#) [2603019021001](#) [2606039021001](#)  
[2608019324001](#) [2607019213001](#) [2605039241001](#) [2605049281001](#) [2607029291011](#) [709620200](#) [709951000](#)