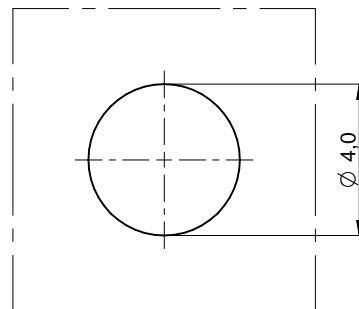
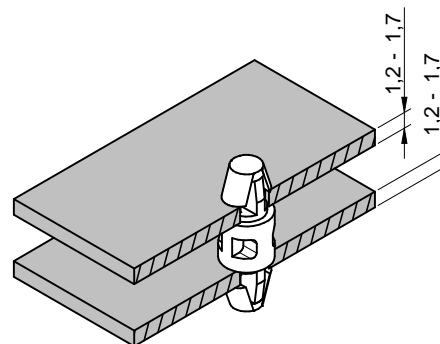


Hole Pattern



Panel Thickness



| Order Code | L (mm) |
|------------|-----------|
| 709620200 | 3,0 ±0.2 |
| 709620400 | 3,5 ±0.2 |
| 709620600 | 4,0 ±0.2 |
| 709620800 | 5,0 ±0.3 |
| 709621000 | 6,0 ±0.3 |
| 709621200 | 6,4 ±0.3 |
| 709621400 | 8,0 ±0.3 |
| 709621600 | 10,0 ±0.3 |
| 709621800 | 10,5 ±0.3 |
| 709622000 | 11,5 ±0.3 |
| 709622200 | 12,0 ±0.3 |
| 709622400 | 12,7 ±0.3 |
| 709622600 | 14,0 ±0.3 |
| 709622800 | 15,9 ±0.3 |
| 709623000 | 18,0 ±0.3 |
| 709623200 | 19,0 ±0.3 |
| 709623400 | 20,0 ±0.4 |
| 709623600 | 25,0 ±0.4 |
| 709623800 | 27,0 ±0.4 |
| 709624000 | 30,0 ±0.4 |
| 709624200 | 34,0 ±0.4 |
| 709624400 | 69,0 ±0.8 |
| 709624600 | 71,2 ±0.8 |
| 709624800 | 72,0 ±0.8 |
| 709625000 | 74,2 ±0.8 |
| 709625200 | 80,0 ±0.8 |

Operating Temperature: -30°C up to +85°C
 Flammability according to: UL94 V-2

| | | | | | | | | | |
|------|------|------|----|--|--|----------------|--------------------------------------|------------------------------|----------------------------------|
| | | | | Würth Elektronik eiSos GmbH & Co. KG EMC & Inductive Solutions | CREATED DaF | CHECKED SKI | GENERAL TOLERANCE DIN ISO 2768-1m | PROJECTION METHOD | SIZE A4 |
| | | | | Max-Eyth-Str. 1 74638 Waldenburg Germany com. +49 79 42 945 - 0 | DESCRIPTION AsSNSN Snap-on spacer, arresting on both sides | | | TECHNICAL REFERENCE _____ | MATERIAL Nylon 66, natural |
| | | | | www.we-online.de eiSos@we-online.de | SIZE xxx xxx xxx | WEIGHT | STATUS Released | DATE 2017-03-21 | BUSINESS UNIT eiCan |
| REV. | FILE | DATE | BY | | ORDER CODE 70962xxxx | | | | PAGE 1 / 1 |



X-ON Electronics

Largest Supplier of Electrical and Electronic Components

Click to view similar products for [Wurth manufacturer](#):

Other Similar products are found below :

[742700](#) [74270062](#) [7446222002](#) [750314624](#) [750341638](#) [30405S](#) [31402](#) [7446321027](#) [744732100](#) [744741471](#) [744772681](#) [744777](#)
[890334025009](#) [178050601](#) [61308021121](#) [615008138221](#) [744999](#) [7446823003](#) [744028](#) [66201621822](#) [691301710003](#) [7446221012](#) [744720](#)
[760390015](#) [760895431](#) [662006236022](#) [64900621822](#) [74436410330](#) [78438357100](#) [890334026014](#) [744839208072](#) [744762A/RFI](#) [7449984](#)
[750310346](#) [861011384014](#) [750817018](#) [7449982](#) [3021717](#) [3020903](#) [885342](#) [2603019321001](#) [2603019021001](#) [2606039021001](#)
[2608019324001](#) [2607019213001](#) [2605039241001](#) [2605049281001](#) [2607029291011](#) [709620200](#) [709951000](#)