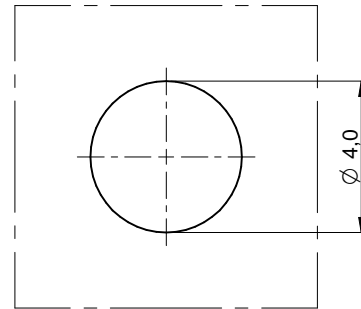
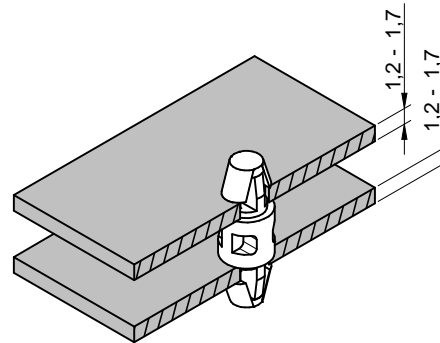


### Hole Pattern



### Panel Thickness



Order Code	L (mm)
709620200	3,0 ±0.2
709620400	3,5 ±0.2
709620600	4,0 ±0.2
709620800	5,0 ±0.3
709621000	6,0 ±0.3
709621200	6,4 ±0.3
709621400	8,0 ±0.3
709621600	10,0 ±0.3
709621800	10,5 ±0.3
709622000	11,5 ±0.3
709622200	12,0 ±0.3
709622400	12,7 ±0.3
709622600	14,0 ±0.3
709622800	15,9 ±0.3
709623000	18,0 ±0.3
709623200	19,0 ±0.3
709623400	20,0 ±0.4
709623600	25,0 ±0.4
709623800	27,0 ±0.4
709624000	30,0 ±0.4
709624200	34,0 ±0.4
709624400	69,0 ±0.8
709624600	71,2 ±0.8
709624800	72,0 ±0.8
709625000	74,2 ±0.8
709625200	80,0 ±0.8

Operating Temperature: -30°C up to +85°C  
 Flammability according to: UL94 V-2

				Würth Elektronik eiSos GmbH & Co. KG EMC & Inductive Solutions	CREATED DaF	CHECKED SKI	GENERAL TOLERANCE DIN ISO 2768-1m	PROJECTION METHOD 	SIZE A4
				Max-Eyth-Str. 1 74638 Waldenburg Germany com. +49 79 42 945 - 0	DESCRIPTION <b>AsSNSN Snap-on spacer, arresting on both sides</b>			TECHNICAL REFERENCE _____	MATERIAL Nylon 66, natural
				www.we-online.de eiSos@we-online.de	SIZE xxx xxx xxx	WEIGHT	STATUS Released	DATE 2017-03-21	BUSINESS UNIT eiCan
REV.	FILE	DATE	BY		ORDER CODE 70962xxxx				PAGE 1 / 1



This electronic component has been designed and developed for usage in general electronic equipment only. This product is not authorized for use in equipment where a higher safety standard and reliability standard is especially required or where a failure of the product is reasonably expected to cause severe personal injury or death, unless the parties have executed an agreement specifically governing such use. Moreover Würth Elektronik eiSos GmbH & Co KG products are neither designed nor intended for use in areas such as military, aerospace, aviation, nuclear control, submarine, transportation (automotive control, train control, ship control), transportation signal, disaster prevention, medical, public information network etc.. Würth Elektronik eiSos GmbH & Co KG must be informed about the intent of such usage before the design-in stage. In addition, sufficient reliability evaluation checks for safety must be performed on every electronic component which is used in electrical circuits that require high safety and reliability functions or performance.

## **X-ON Electronics**

Largest Supplier of Electrical and Electronic Components

*Click to view similar products for [Wurth manufacturer](#):*

Other Similar products are found below :

[742700](#) [74270062](#) [7446222002](#) [750314624](#) [750341638](#) [30405S](#) [31402](#) [7446321027](#) [744732100](#) [744741471](#) [744772681](#) [744777](#)  
[890334025009](#) [178050601](#) [61308021121](#) [615008138221](#) [744999](#) [7446823003](#) [744028](#) [66201621822](#) [691301710003](#) [7446221012](#) [744720](#)  
[760390015](#) [760895431](#) [662006236022](#) [64900621822](#) [74436410330](#) [78438357100](#) [890334026014](#) [744839208072](#) [744762A/RFI](#) [7449984](#)  
[750310346](#) [861011384014](#) [750817018](#) [7449982](#) [3021717](#) [3020903](#) [885342](#) [2603019321001](#) [2603019021001](#) [2606039021001](#)  
[2608019324001](#) [2607019213001](#) [2605039241001](#) [2605049281001](#) [2607029291011](#) [709620200](#) [709951000](#)