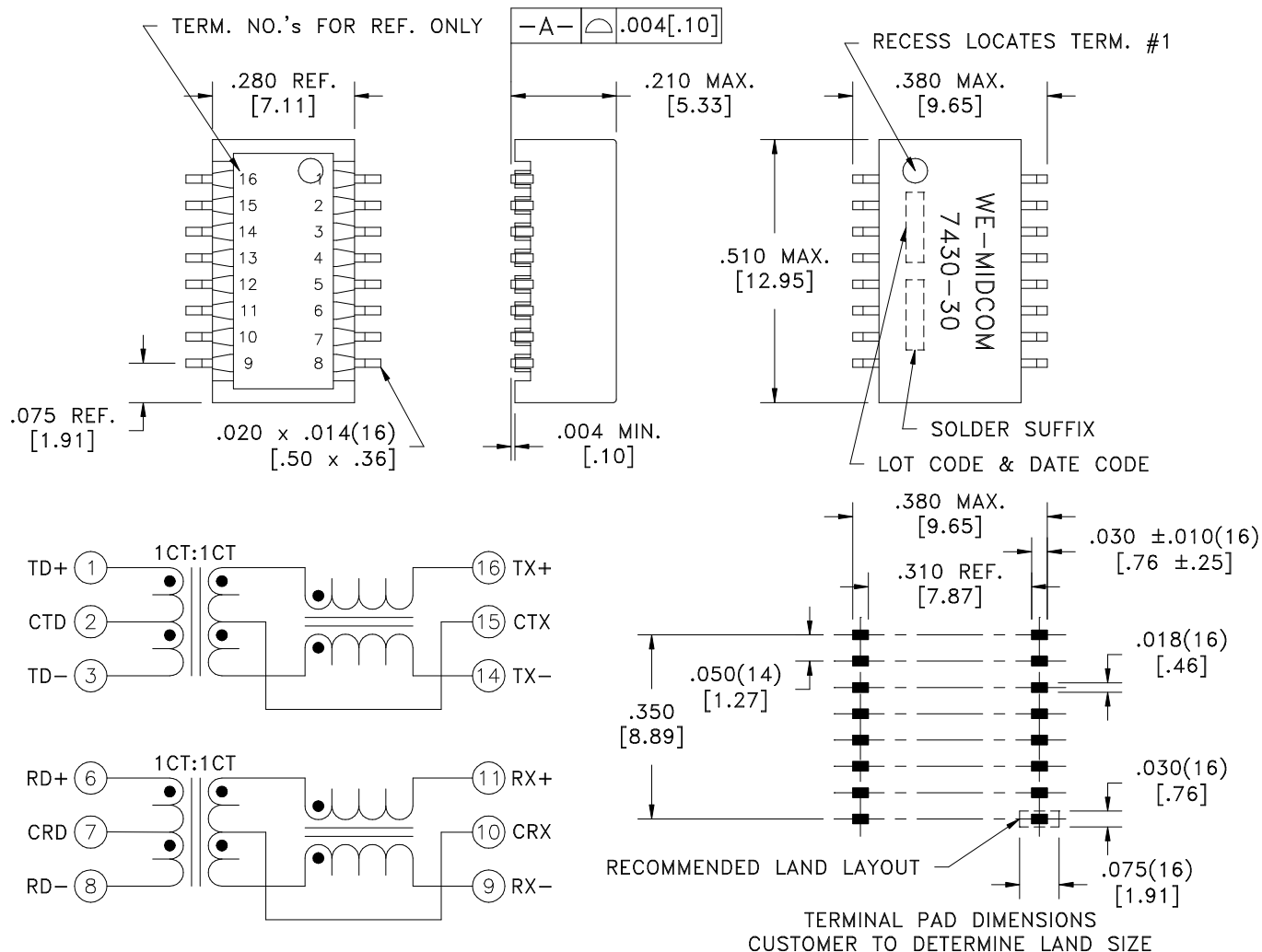



SOLDER SUFFIX	CUSTOMER TERMINAL	RoHS	LEAD(Pb)-FREE
LF1	Sn96%, Ag4%	Yes	Yes



ELECTRICAL SPECIFICATIONS @ 25°C unless otherwise noted:

- INDUCTANCE: 350uH min., 100kHz, 100mV, 8mADC, 16-14; 11-9, Lp.
- DIELECTRIC RATING: 1500Vrms, 1 minute tested by applying 1800Vrms for 1 second between 1-16(tie 1+6, 16+11).
- URNS RATIO & POLARITY: (1-3):(16-14) = 1:1, ±2%. (6-8):(11-9) = 1:1, ±2%.
- INSERTION LOSS: -1.1dB max., 500k - 100MHz.
- RETURN LOSS: -18dB min., 500k - 30MHz. -16dB min., 30M - 45MHz. -14dB min., 45M - 60MHz. -12dB min., 60M - 80MHz.
- CROSSTALK: -35dB min., 1M - 100MHz.
- DCMR: -30dB min., 500k - 100MHz.
- CMRR: -30dB min., 500k - 100MHz.
- OPERATING TEMPERATURE RANGE: -25°C to +105°C.
- COPLANARITY: All 16 terminals must lie on a plane within .004 [.10] of Surface A after lead tinning.

Unless otherwise specified: Tolerances: Angles: ±1° Fractions: ±1/64 Decimals: ±.005[.13]	DRAWING TITLE <h2 style="text-align: center;">TRANSFORMER</h2> <h3 style="text-align: center;">EDSO-G16</h3> eiSos p/n: 7490100111	 www.midcom-inc.com	PART # 000-7430-30R-LF1
	This drawing is dual dimensioned. Dimensions in brackets are in millimeters.	SEE REVISION SHEET FOR REVISION LEVEL	

X-ON Electronics

Largest Supplier of Electrical and Electronic Components

Click to view similar products for [Audio Transformers](#) / [Signal Transformers](#) category:

Click to view products by [Würth](#) manufacturer:

Other Similar products are found below :

[CX2041NLT](#) [MGPWT-00449-P](#) [PE-64961](#) [H1302FNLT](#) [H5008FNL](#) [H5012FNL](#) [H5020FNLT](#) [H5077NLT](#) [H5079NLT](#) [H5084FNLT](#)
[B78476A9558A003](#) [1812WBT2-4](#) [1879479-1](#) [HX2260FNL](#) [HX5014FNL](#) [EX2024FNL](#) [FL1066](#) [T1137NLT](#) [T3012NL](#) [PE-65812FNL](#) [PE-65848FNLT](#) [H1174FNL](#) [H1302FNL](#) [H5015FNL](#) [H5019EFNL](#) [H5062FNLT](#) [CX2047LNL](#) [MGPWT-00059-P](#) [MGPWT-00266-P](#) [MGPWT-00278-P](#) [MGPWT-00431-P](#) [TTC-100](#) [TTC-143-H](#) [TTC-5032-1](#) [BX1194WNLT](#) [HX1234NLT](#) [HX5008FNLT](#) [HX5019FNL](#) [HX5084NL](#) [3-1879385-5](#) [TX1263NLT](#) [4-1879391-0](#) [T1142NL](#) [HX6101FNL](#) [HX5084FNL](#) [HX1148NL](#) [HX5020FNLT](#) [HX5014FNLT](#) [T1124NL](#)
[1879732-1](#)