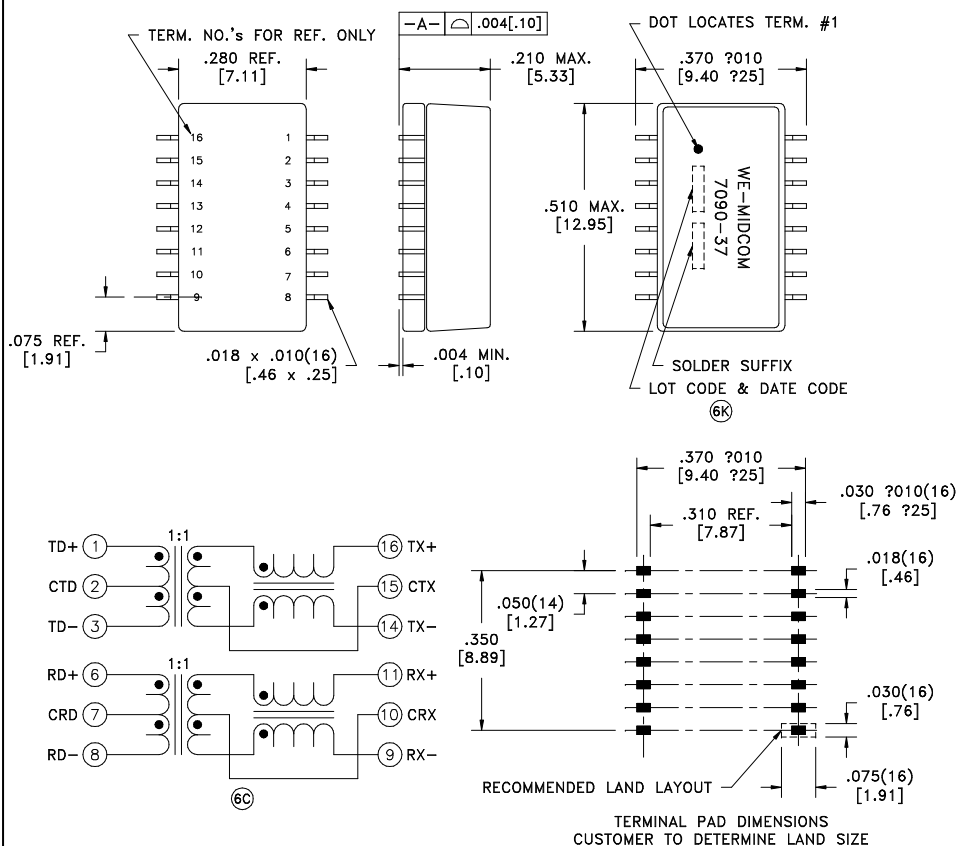


CUSTOMER TERMINAL	RoHS	LEAD(Pb)-FREE	6K
Sn96%, Ag4%	Yes	No	



ELECTRICAL SPECIFICATIONS @ 25°C unless otherwise noted:

- ⑥C INSERTION LOSS: -1.1dB max., 500k - 100MHz.
- ⑥P⑥C DIELECTRIC RATING: 1500Vrms, 1 minute tested by applying 1800Vrms for 1 second between 1-16(tie 1+2+3+6+7+8, 9+10+11+14+15+16).
- ⑥C INDUCTANCE: 350uH min., 100kHz, 100mV, 8mADC, 16-14; 11-9 Lp.
- RETURN LOSS: -18dB min., 500k - 30MHz.
-16dB min., 30M - 45MHz.
-14dB min., 45M - 60MHz.
-12dB min., 60M - 80MHz.
- URNS RATIO & POLARITY: (1-3):(16-14) = 1:1, ?%.
(6-8):(11-9) = 1:1, ?%.
- CROSSTALK: -35dB min., 1M - 100MHz.
- ⑥C DCMR: -30dB min., 500k - 100MHz.
- ⑥P⑥C CMRR: -60dB typ., 500k - 30MHz.
-30dB min., 30M - 100MHz.

OPERATING TEMPERATURE RANGE: -40°C to +85°C.

COPLANARITY: All 16 terminals must lie on a plane within .004 [.10] of Surface A after lead tinning.

6M

REV.	DATE
6P	1/09
6N	8/08
6M	9/07
6L	6/05
6K	4/05

DETAILS SUBJECT TO CHANGE

Packaging Specifications
Method: Tape & Reel
PKG-0339
www.midcom-inc.com

Tolerances unless otherwise specified:
Angles: ±1° Decimals: ±.005 [.13]
Fractions: ±1/64 Footprint: ±.005 [.13]

This drawing is dual dimensioned. Dimensions in brackets are in millimeters.

DRAWING TITLE

TRANSFORMER
PDSO-G16

eiSos p/n: 749010013



PART NO.

000-7090-37R-LF1

6K

6F

AGENCY NUMBER	
UL60950	E205930
CSA60950 (Via CUL)	E205930

X-ON Electronics

Largest Supplier of Electrical and Electronic Components

Click to view similar products for [Audio Transformers](#) / [Signal Transformers](#) category:

Click to view products by [Wurth](#) manufacturer:

Other Similar products are found below :

[CX2041NLT](#) [MGPWT-00449-P](#) [PE-64961](#) [H1302FNLT](#) [H5008FNL](#) [H5012FNL](#) [H5020FNLT](#) [H5077NLT](#) [H5079NLT](#) [H5084FNLT](#)
[B78476A9558A003](#) [1812WBT2-4](#) [1879479-1](#) [HX2260FNL](#) [HX5014FNL](#) [EX2024FNL](#) [FL1066](#) [T1137NLT](#) [T3012NL](#) [PE-65812FNL](#) [PE-65848FNLT](#) [H1174FNL](#) [H1302FNL](#) [H5015FNL](#) [H5019EFNL](#) [H5062FNLT](#) [CX2047LNL](#) [MGPWT-00059-P](#) [MGPWT-00266-P](#) [MGPWT-00278-P](#) [MGPWT-00431-P](#) [TTC-100](#) [TTC-143-H](#) [TTC-5032-1](#) [BX1194WNLT](#) [HX1234NLT](#) [HX5008FNLT](#) [HX5019FNL](#) [HX5084NL](#) [3-1879385-5](#) [TX1263NLT](#) [4-1879391-0](#) [T1142NL](#) [HX6101FNL](#) [HX5084FNL](#) [HX1148NL](#) [HX5020FNLT](#) [HX5014FNLT](#) [T1124NL](#)
[1879732-1](#)