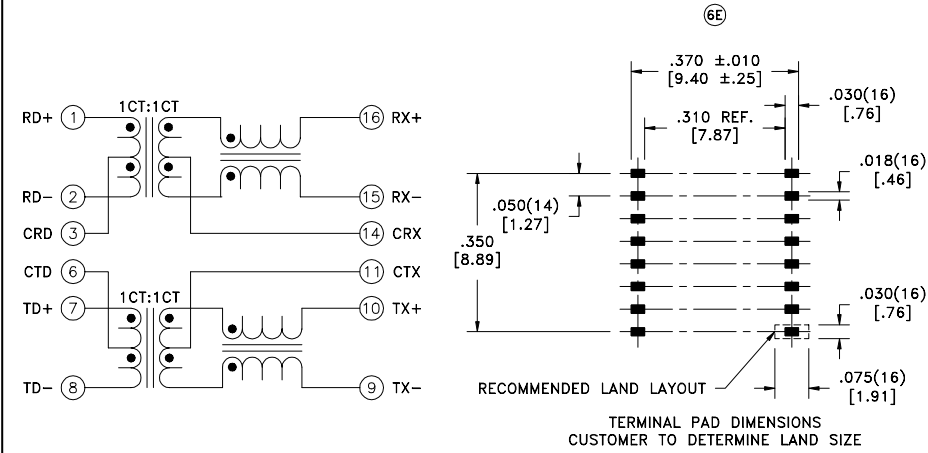
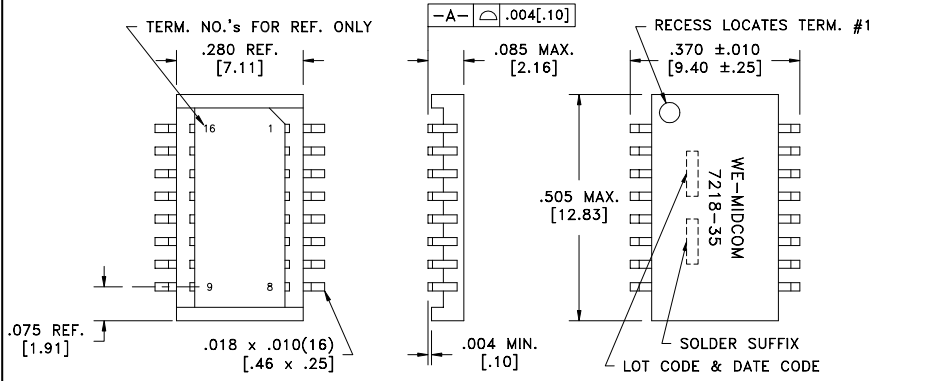


SOLDER SUFFIX	CUSTOMER TERMINAL	RoHS	LEAD(Pb)-FREE	ⓂE
	Sn63%, Pb37%	No	No	
LF1	Sn96%, Ag4%	Yes	No	



ELECTRICAL SPECIFICATIONS @ 25°C unless otherwise noted:

INSERTION LOSS:	-1.0dB max., 1M - 125MHz.
DIELECTRIC RATING:	1500Vrms, 1 minute tested by applying 1800Vrms for 1 second between 1-16(tie 1+8, 9+16).
INDUCTANCE:	350uH min., 100kHz, 100mVAC, 8mADC, 16-15; 11-9, Lp.
TURNS RATIO/POLARITY:	Per Schematic.
RETURN LOSS:	-18dB min., 30MHz. -14dB min., 60MHz. -12dB min., 80MHz.
CROSSTALK:	-35dB min., 1M - 150MHz.
CMDR:	-40dB min., 30MHz. -40dB min., 50MHz. -30dB min., 100MHz. -20dB min., 150MHz.

OPERATING TEMPERATURE RANGE: 0°C to +70°C.
 COPLANARITY: All 16 terminals must lie on a plane within .004 [.10] of Surface A after lead tinning.
 Midcom p/n 000-7218-35R-LF1 is eiSos p/n: 749010110.

REV.	DATE
6F	6/07
6E	2/07
6D	5/06
6C	1/04
6B	7/03

ⓂB	
AGENCY NUMBER	
UL60950	E205930
CSA60950 (Via CUL)	E205930

Packaging Specifications
 Method: Tape & Reel
 PKG-0362
 www.midcom-inc.com

Unless otherwise specified:
 Tolerances: Fractions: ±1/64
 Angles: ±1° Decimals: ±.005[.127]
 This drawing is dual dimensioned. Dimensions in brackets are in millimeters.

DRAWING TITLE
TRANSFORMER ⓂF
 AEDFP-G16
 eiSos p/n: 749010110

Midcom WE
 www.midcom-inc.com

DRAWING NO.
000-7218-35R/-LF1 ⓂE
 REVISIONS: SEE SHEET 1
 SCALE --- SHEET 2 OF 8

X-ON Electronics

Largest Supplier of Electrical and Electronic Components

Click to view similar products for [Audio Transformers](#) / [Signal Transformers](#) category:

Click to view products by [Würth](#) manufacturer:

Other Similar products are found below :

[CX2041NLT](#) [MGPWT-00449-P](#) [PE-64961](#) [H1302FNLT](#) [H5008FNL](#) [H5012FNL](#) [H5020FNLT](#) [H5077NLT](#) [H5079NLT](#) [H5084FNLT](#)
[B78476A9558A003](#) [1812WBT2-4](#) [1879479-1](#) [HX2260FNL](#) [HX5014FNL](#) [EX2024FNL](#) [FL1066](#) [T1137NLT](#) [T3012NL](#) [PE-65812FNL](#) [PE-65848FNLT](#) [H1174FNL](#) [H1302FNL](#) [H5015FNL](#) [H5019EFNL](#) [H5062FNLT](#) [CX2047LNL](#) [MGPWT-00059-P](#) [MGPWT-00266-P](#) [MGPWT-00278-P](#) [MGPWT-00431-P](#) [TTC-100](#) [TTC-143-H](#) [TTC-5032-1](#) [BX1194WNLT](#) [HX1234NLT](#) [HX5008FNLT](#) [HX5019FNL](#) [HX5084NL](#) [3-1879385-5](#) [TX1263NLT](#) [4-1879391-0](#) [T1142NL](#) [HX6101FNL](#) [HX5084FNL](#) [HX1148NL](#) [HX5020FNLT](#) [HX5014FNLT](#) [T1124NL](#)
[1879732-1](#)