

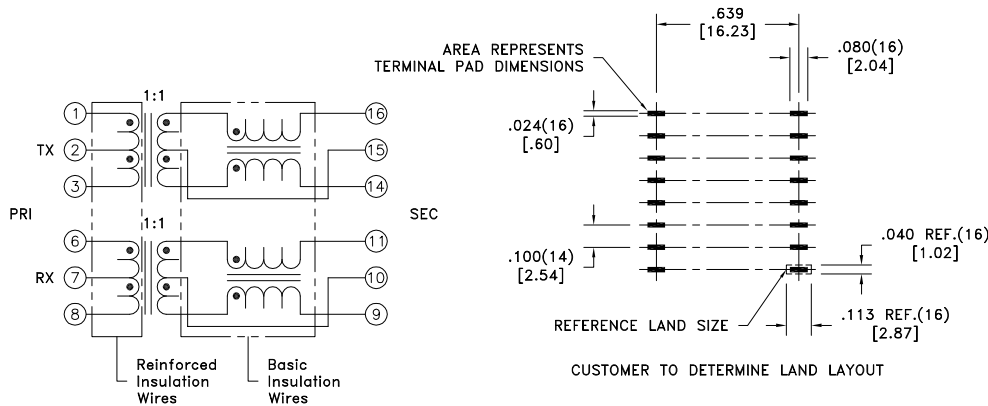
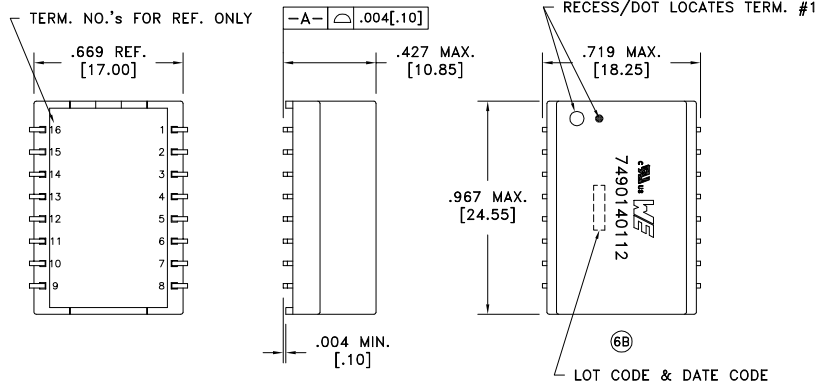
CUSTOMER TERMINAL	RoHS	LEAD(Pb)-FREE
Sn100%	Yes	Yes

more than you expect



ELECTRICAL SPECIFICATIONS @ 25°C unless otherwise noted:

PARAMETER	TEST CONDITIONS	VALUE
INDUCTANCE	16-14 100kHz, 100mVAC, 8mADC, Lp	350uH min.
INDUCTANCE	11-9 100kHz, 100mVAC, 8mADC, Lp	350uH min.
DIELECTRIC	tie(1 thru 8, 9 thru 16), 7200Vrms, 1 second	6000Vrms, 1 minute
URNS RATIO	(1-3):(16-14)	1:1, ±2%
URNS RATIO	(6-8):(11-9)	1:1, ±2%
INSERTION LOSS	100k - 100MHz	-1.5dB max.
CROSSTALK	1M - 100MHz	-40dB min.



Design using reinforced insulation wire on PRI side, and using basic insulation wire on SEC side.

6B GENERAL SPECIFICATIONS:

OPERATING TEMPERATURE RANGE: -40°C to +85°C.

COPLANARITY: All 16 terminals must lie on a plane within .004 [.10] of Surface A after lead tinning.

6B Designed to comply with the following requirements as defined by IEC60950-1, EN60950-1, UL60950-1/CSA60950-1 and AS/NZS60950.1:

- Reinforced insulation for a primary circuit at a working voltage of 250Vrms.

6B Designed to comply with 10mm min. creepage and 7mm min. clearance as defined by IEC60601-1; 2006.

- Provide two means of patient protection up to a working voltage of 250Vrms.

6B

AGENCY NUMBER	
UL60950-1	E205930
CSA60950-1 (Via CUL)	E205930

REV.	DATE	Packaging Specifications Method: Tape & Reel PKG-0670 www.we-online.com/midcom	CONVENTION PLACEMENT
6B	9/15		
6A	11/11	SEE REVISION SHEET FOR REVISION LEVEL	

Tolerances unless otherwise specified:
 Angles: ±1° Decimals: ±.005 [.13]
 Fractions: ±1/64 Footprint: ±.005 [.13]

This drawing is dual dimensioned. Dimensions in brackets are in millimeters.

DRAWING TITLE
TRANSFORMER
 EDFP-J16
 eiSos p/n: 7490140112

PART NO.
7490140112
 SPECIFICATION SHEET 1 OF 1

X-ON Electronics

Largest Supplier of Electrical and Electronic Components

Click to view similar products for [Audio Transformers](#) / [Signal Transformers](#) category:

Click to view products by [Wurth](#) manufacturer:

Other Similar products are found below :

[CX2041NLT](#) [MGPWT-00449-P](#) [PE-64961](#) [H1302FNLT](#) [H5008FNL](#) [H5012FNL](#) [H5020FNLT](#) [H5077NLT](#) [H5079NLT](#) [H5084FNLT](#)
[B78476A9558A003](#) [1812WBT2-4](#) [1879479-1](#) [HX2260FNL](#) [HX5014FNL](#) [EX2024FNL](#) [FL1066](#) [T1137NLT](#) [T3012NL](#) [PE-65812FNL](#) [PE-65848FNLT](#) [H1174FNL](#) [H1302FNL](#) [H5015FNL](#) [H5019EFNL](#) [H5062FNLT](#) [CX2047LNL](#) [MGPWT-00059-P](#) [MGPWT-00266-P](#) [MGPWT-00278-P](#) [MGPWT-00431-P](#) [TTC-100](#) [TTC-143-H](#) [TTC-5032-1](#) [BX1194WNLT](#) [HX1234NLT](#) [HX5008FNLT](#) [HX5019FNL](#) [HX5084NL](#) [3-1879385-5](#) [TX1263NLT](#) [4-1879391-0](#) [T1142NL](#) [HX6101FNL](#) [HX5084FNL](#) [HX1148NL](#) [HX5020FNLT](#) [HX5014FNLT](#) [T1124NL](#)
[1879732-1](#)