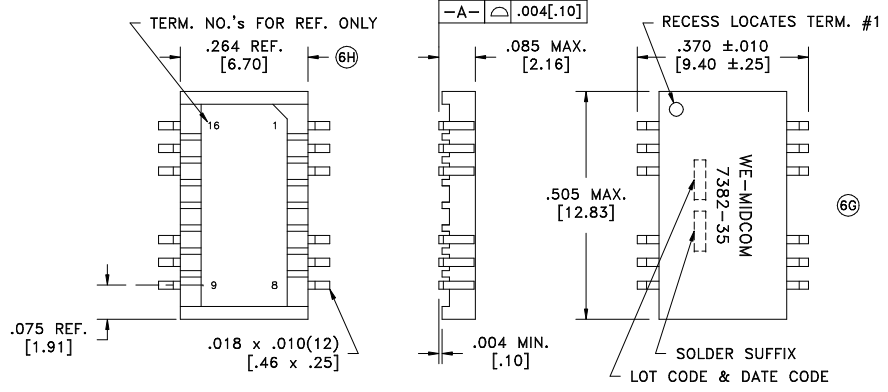


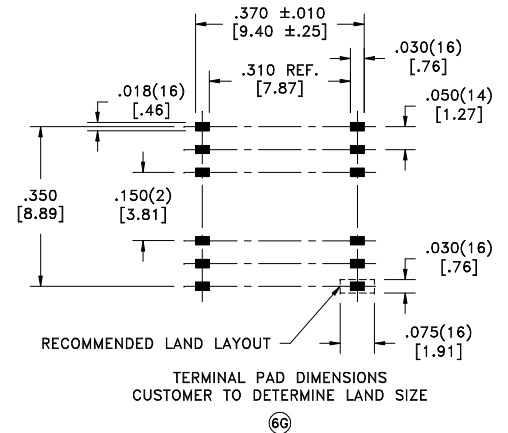
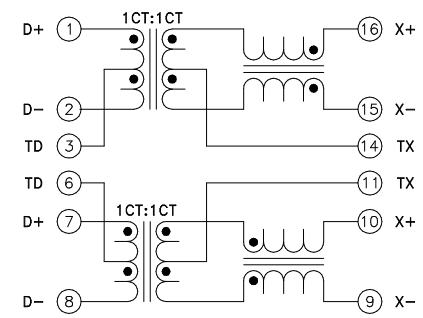
SOLDER SUFFIX	CUSTOMER TERMINAL	RoHS	LEAD(Pb)-FREE
	Sn63%, Pb37%	No	No
LF1	Sn96%, Ag4%	Yes	Yes

more than you expect



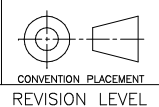
ELECTRICAL SPECIFICATIONS @ 25°C unless otherwise noted:

- INDUCTANCE: 350uH min., 100kHz, 100mV, 8mADC, 16-15; 10-9, Lp.
- DIELECTRIC RATING: 1500Vrms, 1 minute tested by applying 1800Vrms for 1 second between 1-16(tie 1+8, 9+16).
- URNS RATIO & POLARITY: Per schematic.
- INSERTION LOSS: -1.0dB max., 300k - 125MHz.
- RETURN LOSS: -18dB min., 1M - 40MHz.
-15dB min., 40M - 60MHz.
-12dB min., 60M - 80MHz.
-10dB min., 80M - 100MHz.
- CROSSTALK: -35dB min., 1M - 150MHz.
- COMMON MODE REJECTION: -42dB min., 1M - 32MHz.
-33dB min., 32M - 150MHz.



OPERATING TEMPERATURE RANGE: 0°C to +70°C.
 COPLANARITY: All 12 terminals must lie on a plane within .004 [.10] of Surface A after lead tinning.
 Midcom p/n 000-7382-35R-LF1 is eiSos p/n: 749020100.

REV.	DATE	Packaging Specifications
6H	5/11	Method: Tape & Reel
6G	2/10	PKG-0362
6F	8/08	www.we-online.com/midcom
6E	6/08	SEE REVISION SHEET FOR REVISION LEVEL



Tolerances unless otherwise specified:
 Angles: ±1° Decimals: ±.005 [.13]
 Fractions: ±1/64 Footprint: ±.005 [.13]

This drawing is dual dimensioned. Dimensions in brackets are in millimeters. (6B)

DRAWING TITLE
TRANSFORMER
 AEDFP-G12

eiSos p/n: 749020100

PART NO.
000-7382-35R/-LF1

compliant RoHS

SPECIFICATION SHEET 1 OF 1

(6D)

X-ON Electronics

Largest Supplier of Electrical and Electronic Components

Click to view similar products for [Audio Transformers](#) / [Signal Transformers](#) category:

Click to view products by [Würth](#) manufacturer:

Other Similar products are found below :

[CX2041NLT](#) [MGPWT-00449-P](#) [PE-64961](#) [H1302FNLT](#) [H5008FNL](#) [H5012FNL](#) [H5020FNLT](#) [H5077NLT](#) [H5079NLT](#) [H5084FNLT](#)
[B78476A9558A003](#) [1812WBT2-4](#) [1879479-1](#) [HX2260FNL](#) [HX5014FNL](#) [EX2024FNL](#) [FL1066](#) [T1137NLT](#) [T3012NL](#) [PE-65812FNL](#) [PE-65848FNLT](#) [H1174FNL](#) [H1302FNL](#) [H5015FNL](#) [H5019EFNL](#) [H5062FNLT](#) [CX2047LNL](#) [MGPWT-00059-P](#) [MGPWT-00266-P](#) [MGPWT-00278-P](#) [MGPWT-00431-P](#) [TTC-100](#) [TTC-143-H](#) [TTC-5032-1](#) [BX1194WNLT](#) [HX1234NLT](#) [HX5008FNLT](#) [HX5019FNL](#) [HX5084NL](#) [3-1879385-5](#) [TX1263NLT](#) [4-1879391-0](#) [T1142NL](#) [HX6101FNL](#) [HX5084FNL](#) [HX1148NL](#) [HX5020FNLT](#) [HX5014FNLT](#) [T1124NL](#)
[1879732-1](#)