

Spezifikation für Freigabe / specification for release

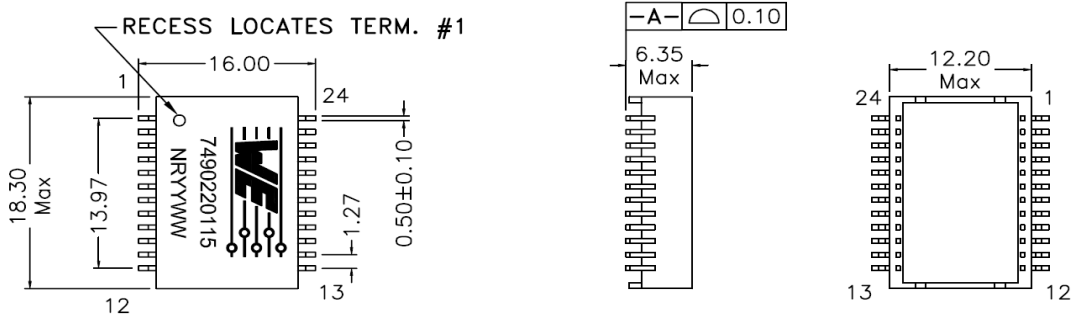
Kunde / customer :
 Artikelnummer / part number : **7490220115**
 Bezeichnung : **LAN-Übertrager WE-LAN**
 description : **LAN-Transformer WE-LAN**



DATUM / DATE : 2016-08-09

A Mechanische Abmessungen / dimensions :

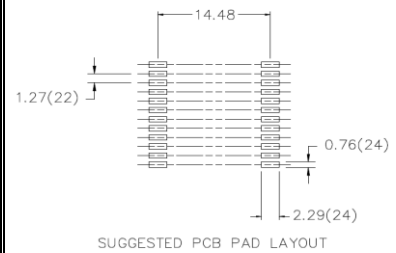
1000 BaseT PoE+



B Elektrische Eigenschaften / electrical properties :

| Eigenschaften / properties | Testbedingungen / test conditions | | Wert / value | Einheit / unit | tol. |
|--------------------------------------|-----------------------------------|---------|--------------|----------------|-------------|
| Induktivität / Inductance | 100kHz / 100mV @ 18mA DC-Bias | OCL | 350 | µH | min. |
| Übersetzungsverhältnis / Turns ratio | 100kHz / 100mV | 1CT:1CT | 1 : 1 | Tx | ±2% |
| Insertion Loss | 0,1 - 100 MHz | IL | -1,2 | dB | max. |
| | 125 MHz | | -2,0 | | |
| Return Loss | 30 MHz | RL | -16 | dB | min. |
| | 60-80 MHz | | -10 | | |
| | 100 MHz | | -8 | | |
| Crosstalk | 30 MHz | CT | -35 | dB | min. |
| | 60 MHz | | -30 | | |
| | 100 MHz | | -25 | | |

C Lötpad / soldering spec. :



D Prüfgeräte / test equipment :

HP4395A

E Testbedingungen / test conditions :

Luftfeuchtigkeit / humidity: 33%
 Umgebungstemperatur / temperature: +25°C

F Werkstoffe & Zulassungen / material & approvals :

Basismaterial / base material: Ferrit/ ferrite
 Draht / wire: OUEW/Y 180
 Kontaktmaterial/ contact plating: Cu-Ni-Sn
 Gehäuse / case: DAP Black per UL 94V-0

G Eigenschaften / general specifications :

Betriebstemp. / operating temperature: -40°C - + 85°C
 Hochspannungsprüfung / Hipot test: 1500Vrms 1min.
 Geeignet für 1000BaseT-Anwendungen gemäß IEEE 802.3at /
 Compliant with IEEE 802.3at for PoE+
 Geeignet für Power over Ethernet-Anwendungen (800 mA) /
 Suitable for Power over Ethernet applications (800 mA)

| Freigabe erteilt / general release: | | Kunde / customer | |
|-------------------------------------|--------------------------|------------------|--------------------------------------|
| | | | |
| Datum / date | Unterschrift / signature | JaB | Version 05 2016-08-09 |
| | | JaB | Version 04 2016-07-26 |
| | | JaB | Version 03 2015-05-22 |
| | | RKoe | Version 02 2014-11-21 |
| | | RKoe | Version 01 2014-10-16 |
| Geprüft / checked | Kontrolliert / approved | Name | Änderung / modification Datum / date |

Würth Elektronik eiSos GmbH & Co.KG

D-74638 Waldenburg · Max-Eyth-Straße 1 - 3 · Germany · Telefon (+49) (0) 7942 - 945 - 0 · Telefax (+49) (0) 7942 - 945 - 400
<http://www.we-online.com>

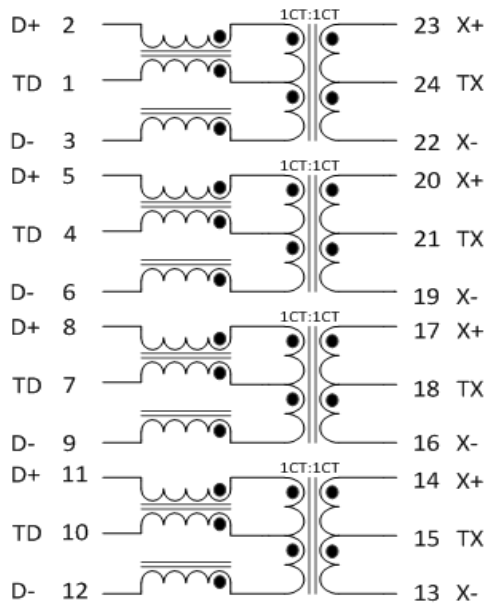
Spezifikation für Freigabe / specification for release

Kunde / customer :
 Artikelnummer / part number : **7490220115**
 Bezeichnung : **LAN-Übertrager WE-LAN**
 description : **LAN-Transformer WE-LAN**



DATUM / DATE : 2016-08-09

H Schaltbild / Schematics :



| | | | | |
|-------------------------------------|--------------------------|------|-------------------------|--------------|
| Freigabe erteilt / general release: | Kunde / customer | | | |
| Datum / date | Unterschrift / signature | JaB | Version 05 | 2016-08-09 |
| Geprüft / checked | Würth Elektronik | JaB | Version 04 | 2016-07-26 |
| | Kontrolliert / approved | RKoe | Version 03 | 2015-05-22 |
| | | RKoe | Version 02 | 2014-11-21 |
| | | RKoe | Version 01 | 2014-10-16 |
| | | Name | Änderung / modification | Datum / date |

Würth Elektronik eiSos GmbH & Co.KG

D-74638 Waldenburg · Max-Eyth-Straße 1 - 3 · Germany · Telefon (+49) (0) 7942 - 945 - 0 · Telefax (+49) (0) 7942 - 945 - 400
<http://www.we-online.com>

Spezifikation für Freigabe / specification for release

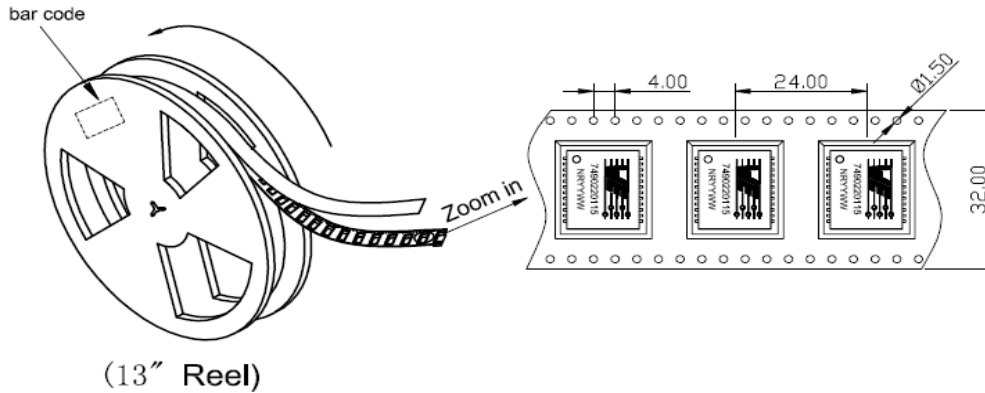
Kunde / customer :
 Artikelnummer / part number : **7490220115**
 Bezeichnung : **LAN-Übertrager WE-LAN**
 description : **LAN-Transformer WE-LAN**



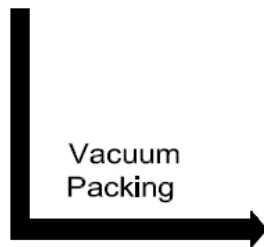
DATUM / DATE : 2016-08-09

I Rollenspezifikation / tape and reel specification :

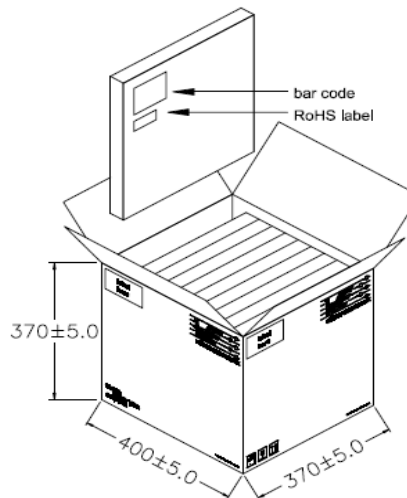
PACKAGING(Tape & Reel)



(13" Reel)



Outside Carton



PACKING QUANTITY:

400pcs Finished Goods / Reel

8 Reels (3200pcs Finished Goods) / Carton

| | | | | |
|-------------------------------------|--------------------------|------|-------------------------|--------------|
| Freigabe erteilt / general release: | Kunde / customer | | | |
| | | | | |
| Datum / date | Unterschrift / signature | JaB | Version 05 | 2016-08-09 |
| | | JaB | Version 04 | 2016-07-26 |
| | Würth Elektronik | JaB | Version 03 | 2015-05-22 |
| | | RKoe | Version 02 | 2014-11-21 |
| Geprüft / checked | Kontrolliert / approved | RKoe | Version 01 | 2014-10-16 |
| | | Name | Änderung / modification | Datum / date |

This electronic component has been designed and developed for usage in general electronic equipment. Before incorporating this component into any equipment where higher safety and reliability is especially required or if there is the possibility of direct damage or injury to human body, for example in the range of aerospace, aviation, nuclear control, submarine, transportation, (automotive control, train control, ship control), transportation signal, disaster prevention, medical, public information network etc, Würth Elektronik eiSos GmbH must be informed before the design-in stage. In addition, sufficient reliability evaluation checks for safety must be performed on every electronic component which is used in electrical circuits that require high safety and reliability functions or performance.

Würth Elektronik eiSos GmbH & Co.KG

D-74638 Waldenburg · Max-Eyth-Straße 1 - 3 · Germany · Telefon (+49) (0) 7942 - 945 - 0 · Telefax (+49) (0) 7942 - 945 - 400
<http://www.we-online.com>

X-ON Electronics

Largest Supplier of Electrical and Electronic Components

Click to view similar products for [Pulse Transformers](#) category:

Click to view products by [Würth](#) manufacturer:

Other Similar products are found below :

[E4001NLT](#) [1879401-1](#) [IF-18-0269-N](#) [T1042NLT](#) [T1049NL](#) [PE-68023NL](#) [PH0905NL](#) [PT4163S](#) [PT5010](#) [PA0173NLT](#) [CTX02-14608](#) [PE-65457NLT](#) [T60403-D4721-X088](#) [H1183NLT](#) [CTX33-18971-R](#) [HM2108NLT](#) [HM0068ANLT](#) [PG1427.001NLT](#) [750031353](#) [PH9400.566NLT](#) [PH9400.655ANLT](#) [PH9400.655NLT](#) [PH9385.013NLT](#) [B78307X0001](#) [B78307A2276A003](#) [HX6096FNL](#) [HX6106NLT](#) [P0926NL](#) [HX6096NL](#) [PA3493NLT](#) [P0585ANL](#) [HU4102NL](#) [PH9385.012NLT](#) [PH9400.111NLT](#) [PH9400.211NLT](#) [PH9400.233ANLT](#) [SMQC1553-6](#) [78615/9JC-R](#) [SMQ1553-45](#) [Q1553-45](#) [Q1553-22](#) [Q1553-21](#) [PH9400.211ANLT](#) [TGM-050P3RL](#) [TGRAD-560V8LF](#) [TGMR-360V6LF](#) [P0544](#) [PA0264NLT](#) [T60403-D4215-X014](#) [T60403-F4185-X035](#)