

# Spezifikation für Freigabe / specification for release

Kunde / customer :

Artikelnummer / part number :

**749052012**

Bezeichnung :

**LAN-Übertrager WE-LAN 10G**

description :

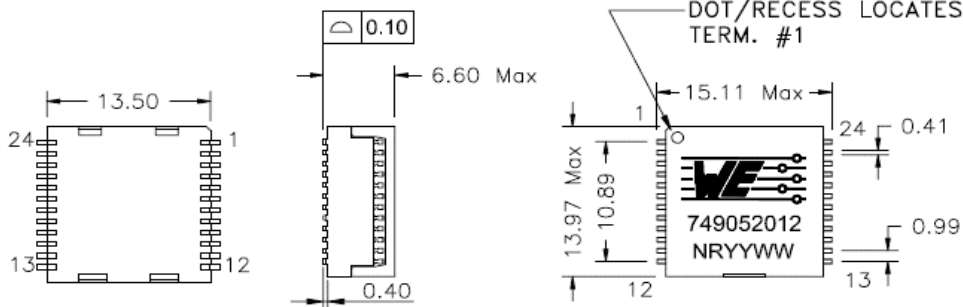
**LAN-Transformer WE-LAN 10G**



DATUM / DATE : 2017-10-13

**A Mechanische Abmessungen / dimensions :**

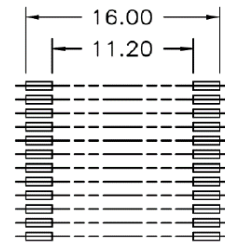
**10G BaseT 4PPoE**



**B Elektrische Eigenschaften / electrical properties :**

Eigenschaften / properties	Testbedingungen / test conditions		Wert / value	Einheit / unit	tol.
Induktivität / Inductance	100kHz / 100mV @ 15mA DC-Bias	OCL	120	µH	min.
Übersetzungsverhältnis / Turns ratio	100kHz / 100mV	TR	1:1		±2%
Insertion Loss	100KHz-1MHz	IL	-3,0	dB	max.
	1MHz-250MHz		-1,00		
	250MHz-500MHz		-3,0		
Return Loss	1-40MHz	RL	-20,0	dB	min.
	100MHz		-16,0		
	200MHz		-13,0		
	250MHz		-11,2		
	400MHz		-10,0		
Common to Differential Mode Rejection	1MHz-100MHz	CDMR	-35,0	dB	min.
	100MHz-300MHz		-30,0		
	300MHz-500MHz		-25,0		
Common to Common Mode Rejection	1MHz-100MHz	CMRR	-35,0	dB	min.
	100MHz-250MHz		-30,0		
	250MHz-500MHz		-25,0		
Crosstalk	1MHz-100MHz	CT	-40,0	dB	min.
	100MHz-500MHz		-30,0		

**C Lötpad / soldering spec. :**



(SUGGESTED PCB PAD LAYOUT)

**D Prüfgeräte / test equipment :**

Agilent E5071C

**E Testbedingungen / test conditions :**

Luftfeuchtigkeit / Humidity: 33%  
Umgebungstemperatur / Temperature: +25°C

**F Werkstoffe & Zulassungen / material & approvals :**

Basismaterial / Base material: Ferrit / Ferrite  
Draht / Wire: 0UEW/Y 180  
Kontaktmaterial / Contact plating: Cu-Ni-Sn  
Gehäuse / Case: UL94V-0  
Verguss / Potting: UL94V-0

**G Eigenschaften / general specifications :**

Betriebstemp. / Operating temperature: 0°C - +70°C  
Hochspannungsprüfung / Hipot test: 1500Vrms 1min.  
Feuchteempfindlichkeit: MSL 1 / Humidity class: MSL 1

Freigabe erteilt / general release:

**Kunde / customer**

Datum / date

Unterschrift / signature

**Würth Elektronik**

Geprüft / checked

Kontrolliert / approved

Name	Änderung / modification	Datum / date
JaB	Version 04	2017-10-13
JaB	Version 03	2016-08-09
JLiu	Version 02	2015-05-21
JLiu	Version 01	2015-04-27
JLiu	Version 00	2015-04-13

**Würth Elektronik eiSos GmbH & Co.KG**

D-74638 Waldenburg · Max-Eyth-Straße 1 - 3 · Germany · Telefon (+49) (0) 7942 - 945 - 0 · Telefax (+49) (0) 7942 - 945 - 400  
http://www.we-online.com

# Spezifikation für Freigabe / specification for release

Kunde / customer :  
 Artikelnummer / part number : **749052012**  
 Bezeichnung : **LAN-Übertrager WE-LAN 10G**  
 description : **LAN-Transformer WE-LAN 10G**



DATUM / DATE : 2017-10-13

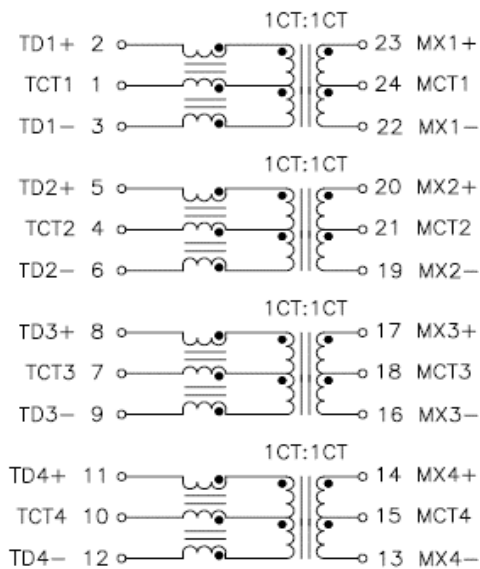
## H PoE Eigenschaften :

Designed für Applikationen bis 30W @57VDC  
 wenn zwei Kanäle bestromt  
 Designed für Applikationen bis 60W @57VDC  
 wenn alle vier Kanäle bestromt

## H PoE Specifications :

Designed to support applications up to 30W @57VDC  
 when using two channels  
 Designed to support applications up to 60W @57VDC  
 when using four channels

## I Schaltbild / Schematics :



Freigabe erteilt / general release:	<b>Kunde / customer</b>			
Datum / date	Unterschrift / signature	JaB	Version 04	2017-10-13
	<b>Würth Elektronik</b>	JaB	Version 03	2016-08-09
		JLiu	Version 02	2015-05-21
		JLiu	Version 01	2015-04-27
Geprüft / checked	Kontrolliert / approved	JLiu	Version 00	2015-04-13
		Name	<b>Änderung / modification</b>	Datum / date

This electronic component has been designed and developed for usage in general electronic equipment. Before incorporating this component into any equipment where higher safety and reliability is especially required or if there is the possibility of direct damage or injury to human body, for example in the range of aerospace, aviation, nuclear control, submarine, transportation, (automotive control, train control, ship control), transportation signal, disaster prevention, medical, public information network etc, Würth Elektronik eiSos GmbH must be informed before the design-in stage. In addition, sufficient reliability evaluation checks for safety must be performed on every electronic component which is used in electrical circuits that require high safety and reliability functions or performance.

### Würth Elektronik eiSos GmbH & Co.KG

D-74638 Waldenburg · Max-Eyth-Straße 1 - 3 · Germany · Telefon (+49) (0) 7942 - 945 - 0 · Telefax (+49) (0) 7942 - 945 - 400  
<http://www.we-online.com>

# Spezifikation für Freigabe / specification for release

Kunde / customer :  
 Artikelnummer / part number : **749052012**  
 Bezeichnung : **LAN-Übertrager WE-LAN 10G**  
 description : **LAN-Transformer WE-LAN 10G**

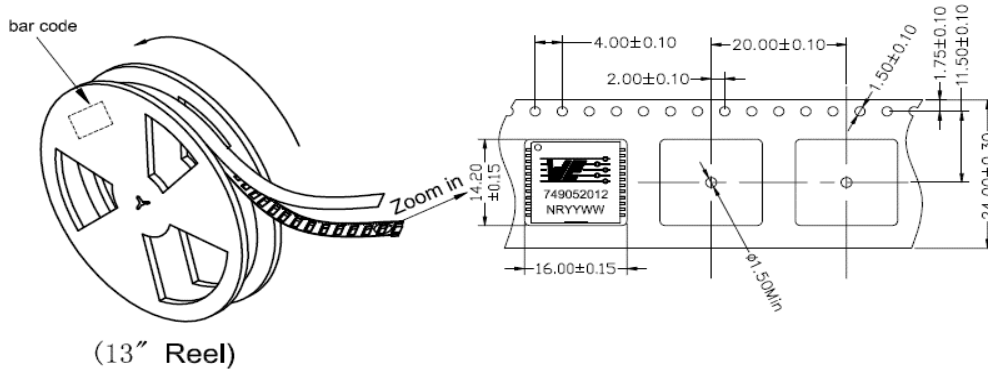


DATUM / DATE : 2017-10-13

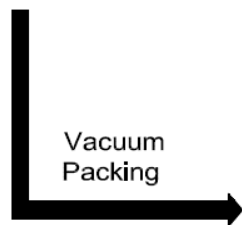
**J Rollenspezifikation / tape and reel specification :**

Gurtspezifikation / Tape specification:

**PACKAGING(Tape & Reel)**

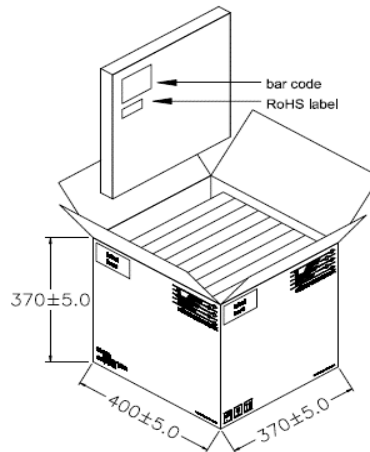


(13" Reel)



Vacuum Packing

**Outside Carton**



PACKING QUANTITY:

450pcs Finished Goods / Reel

10 Reel (4500pcs Finished Goods) / Carton

Freigabe erteilt / general release:	<b>Kunde / customer</b>			
.....	.....	JaB	Version 04	2017-10-13
Datum / date	Unterschrift / signature	JaB	Version 03	2016-08-09
.....	<b>Würth Elektronik</b>	JLiu	Version 02	2015-05-21
.....	.....	JLiu	Version 01	2015-04-27
Geprüft / checked	Kontrolliert / approved	JLiu	Version 00	2015-04-13
		Name	<b>Änderung / modification</b>	Datum / date

This electronic component has been designed and developed for usage in general electronic equipment. Before incorporating this component into any equipment where higher safety and reliability is especially required or if there is the possibility of direct damage or injury to human body, for example in the range of aerospace, aviation, nuclear control, submarine, transportation, (automotive control, train control, ship control), transportation signal, disaster prevention, medical, public information network etc. Würth Elektronik eiSos GmbH must be informed before the design-in stage. In addition, sufficient reliability evaluation checks for safety must be performed on every electronic component which is used in electrical circuits that require high safety and reliability functions or performance.

**Würth Elektronik eiSos GmbH & Co.KG**

D-74638 Waldenburg · Max-Eyth-Straße 1 - 3 · Germany · Telefon (+49) (0) 7942 - 945 - 0 · Telefax (+49) (0) 7942 - 945 - 400  
<http://www.we-online.com>

## X-ON Electronics

Largest Supplier of Electrical and Electronic Components

*Click to view similar products for [Audio Transformers](#) / [Signal Transformers](#) category:*

*Click to view products by [Wurth](#) manufacturer:*

Other Similar products are found below :

[CX2041NLT](#) [MGPWT-00449-P](#) [PE-64961](#) [H1302FNLT](#) [H5008FNL](#) [H5012FNL](#) [H5020FNLT](#) [H5077NLT](#) [H5079NLT](#) [H5084FNLT](#)  
[B78476A9558A003](#) [1812WBT2-4](#) [1879479-1](#) [HX2260FNL](#) [HX5014FNL](#) [EX2024FNL](#) [FL1066](#) [T1137NLT](#) [T3012NL](#) [PE-65812FNL](#) [PE-65848FNLT](#) [H1174FNL](#) [H1302FNL](#) [H5015FNL](#) [H5019EFNL](#) [H5062FNLT](#) [CX2047LNL](#) [MGPWT-00059-P](#) [MGPWT-00266-P](#) [MGPWT-00278-P](#) [MGPWT-00431-P](#) [TTC-100](#) [TTC-143-H](#) [TTC-5032-1](#) [BX1194WNLT](#) [HX1234NLT](#) [HX5008FNLT](#) [HX5019FNL](#) [HX5084NL](#) [3-1879385-5](#) [TX1263NLT](#) [4-1879391-0](#) [T1142NL](#) [HX6101FNL](#) [HX5084FNL](#) [HX1148NL](#) [HX5020FNLT](#) [HX5014FNLT](#) [T1124NL](#)  
[1879732-1](#)