

Spezifikation für Freigabe / specification for release

Kunde / customer :

Artikelnummer / part number :

7499010122

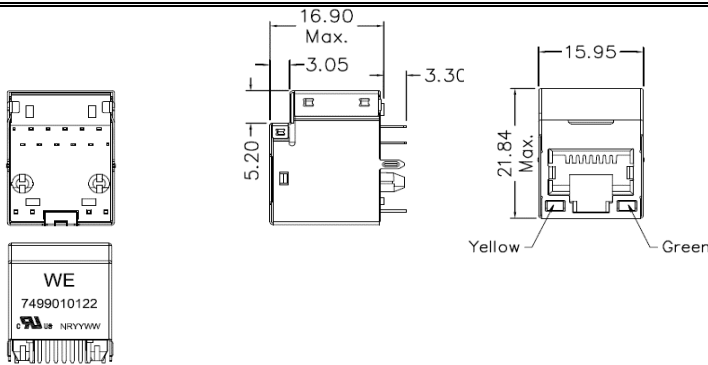


Bezeichnung : LAN-Übertrager WE-RJ45LAN 10/100 Base-T

description : LAN-Transformer WE-RJ45LAN 10/100 Base-T

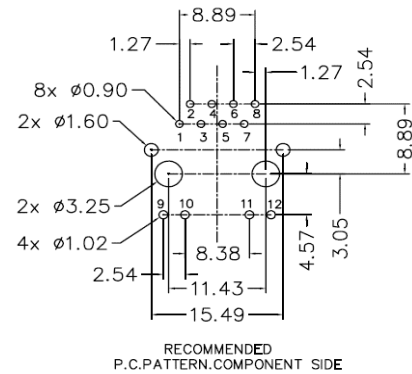
DATUM / DATE : 2019-04-26

A Mechanische Abmessungen / dimensions :



unless otherwise specified, tolerance: 0.25 mm

B Lötpad / soldering spec. :



C Elektrische Eigenschaften / electrical properties :

| Eigenschaften / properties | Testbedingungen / test conditions | | Wert / value | Einheit / unit | tol. |
|--------------------------------------|-----------------------------------|-----|--------------|----------------|------|
| Induktivität / Inductance | 100kHz / 100mV @ 8mA DC-Bias | OCL | 350 | µH | min. |
| Übersetzungsverhältnis / Turns ratio | 100kHz / 100mV | TR | 1 : 1 | Tx | 2% |
| | | | 1 : 1 | Rx | |
| Insertion Loss | 1-65MHz | IL | -1.0 | dB | max. |
| Return Loss | 1-30MHz | RL | -18 | dB | min. |
| | 30-45 MHz | | -16 | | |
| | 45-60MHz | | -14 | | |
| | 60-80MHz | | -12 | | |
| Common Mode Rejection | 1-100MHz | CMR | -35 | dB | min. |
| Crosstalk | 1-100MHz | CT | -35 | dB | min. |

D Prüfgeräte / test equipment :

Agilent 4395A Network Analyzer

E Testbedingungen / test conditions :

Luftfeuchtigkeit / humidity: 33%
Umgebungstemperatur / temperature: +25°C

F Werkstoffe & Zulassungen / material & approvals :

Basismaterial / base material: Ferrit/ ferrite
Draht / wire: QPN 180
Kontaktmaterial/ contact plating: 100% tin w. nickel underplating
30µ"gold plating on contact area
Gehäuse / housing: Thermoplastic UL 94V-0
LED: 1,8-2,5V / 20mA
Shield: 50µ" nickel over 0.008" cooper alloy

G Eigenschaften / general specifications :

Betriebstemp. / operating temperature: 0°C - + 70°C
Hochspannungsprüfung / Hipot test: 2250Vdc 1min.
Geeignet für 10/100Base-TX gemäß IEEE 802.3u / Compliant with IEEE 802.3u for 10/100Base-TX-Applications
Auto MDIX fähig / Auto MDIX capable
UL File: E331896

| | | | |
|-------------------------------------|---------------------------------|------|--------------------------------------|
| Freigabe erteilt / general release: | Kunde / customer | | |
| | | | |
| Datum / date | Unterschrift / signature | | |
| | Würth Elektronik | Mle | Revision 02 2019-04-26 |
| | | Mle | Revision 01 2016-06-03 |
| | | MMai | Revision 00 2016-02-24 |
| Geprüft / checked | Kontrolliert / approved | Name | Änderung / modification Datum / date |

Würth Elektronik eiSos GmbH & Co.KG

D-74638 Waldenburg · Max-Eyth-Straße 1 · 3 · Germany · Telefon (+49) (0) 7942 - 945 - 0 · Telefax (+49) (0) 7942 - 945 - 400
http://www.we-online.com

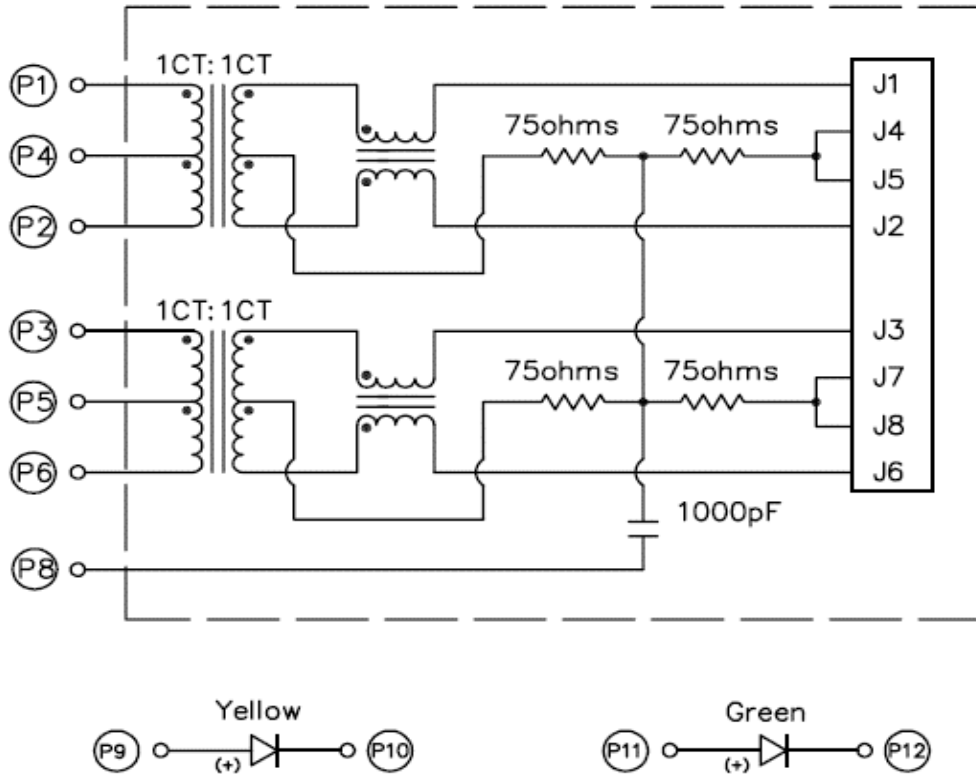
Spezifikation für Freigabe / specification for release

Kunde / customer :
 Artikelnummer / part number : **7499010122**
 Bezeichnung : LAN-Übertrager WE-RJ45LAN 10/100 Base-T
 description : LAN-Transformer WE-RJ45LAN 10/100 Base-T



DATUM / DATE : 2019-04-26

H Schaltbild / Schematics :



| | | | | |
|-------------------------------------|--------------------------|------|-------------------------|--------------|
| Freigabe erteilt / general release: | Kunde / customer | | | |
| | | | | |
| Datum / date | Unterschrift / signature | | | |
| | Würth Elektronik | Mle | Revision 02 | 2019-04-26 |
| | | Mle | Revision 01 | 2016-06-03 |
| | | MMai | Revision 00 | 2016-02-24 |
| Geprüft / checked | Kontrolliert / approved | Name | Änderung / modification | Datum / date |

Würth Elektronik eiSos GmbH & Co.KG

D-74638 Waldenburg · Max-Eyth-Straße 1 - 3 · Germany · Telefon (+49) (0) 7942 - 945 - 0 · Telefax (+49) (0) 7942 - 945 - 400
<http://www.we-online.com>

Spezifikation für Freigabe / specification for release

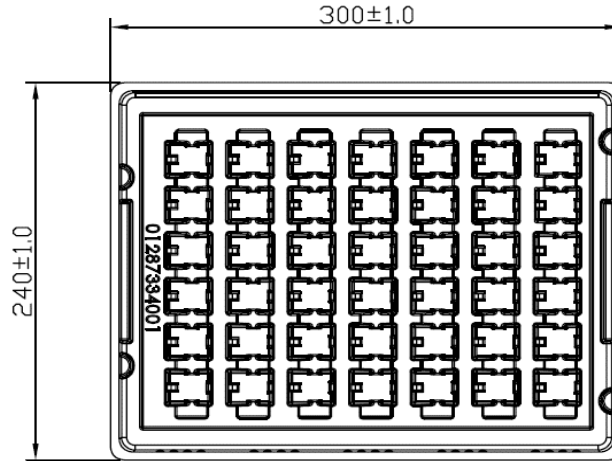
Kunde / customer :
 Artikelnummer / part number : **7499010122**
 Bezeichnung : LAN-Übertrager WE-RJ45LAN 10/100 Base-T
 description : LAN-Transformer WE-RJ45LAN 10/100 Base-T



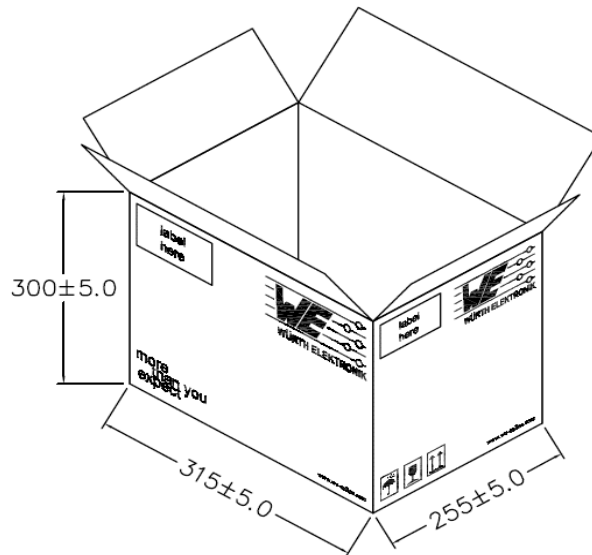
DATUM / DATE : 2019-04-26

I Verpackungsspezifikation / package specification :

Tray:



Carton:



Packing Quantity:

tray = 42 pcs
 carton = 504 pcs

dimensions in mm

| | | | | |
|-------------------------------------|--------------------------|------|-------------------------|--------------|
| Freigabe erteilt / general release: | Kunde / customer | | | |
| | | | | |
| Datum / date | Unterschrift / signature | | | |
| | Würth Elektronik | Mle | Revision 02 | 2019-04-26 |
| | | Mle | Revision 01 | 2016-06-03 |
| | | MMai | Revision 00 | 2016-02-24 |
| Geprüft / checked | Kontrolliert / approved | Name | Änderung / modification | Datum / date |

This electronic component has been designed and developed for usage in general electronic equipment. Before incorporating this component into any equipment where higher safety and reliability is especially required or if there is the possibility of direct damage or injury to human body, for example in the range of aerospace, aviation, nuclear control, submarine, transportation, (automotive control, train control, ship control), transportation signal, disaster prevention, medical, public information network etc. Würth Elektronik eiSos GmbH must be informed before the design-in stage. In addition, sufficient reliability evaluation checks for safety must be performed on every electronic component which is used in electrical circuits that require high safety and reliability functions or performance.

Würth Elektronik eiSos GmbH & Co.KG

D-74638 Waldenburg · Max-Eyth-Straße 1 · 3 · Germany · Telefon (+49) (0) 7942 - 945 - 0 · Telefax (+49) (0) 7942 - 945 - 400
<http://www.we-online.com>

X-ON Electronics

Largest Supplier of Electrical and Electronic Components

Click to view similar products for [Modular Connectors](#) / [Ethernet Connectors](#) category:

Click to view products by [Würth](#) manufacturer:

Other Similar products are found below :

[8949-H88/06BLKA/SN](#) [74441-0010/BKN](#) [MP1010RX-1000](#) [MP44RX-1000](#) [PHJ-4P4C-1-V-4](#) [PHP-6P6C-5](#) [GAX-3-66](#) [GAX-8-62](#) [GDCX-PA-66-50](#) [GDCX-PN-64](#) [GDCX-PN-66](#) [GDCX-PN-66-50](#) [GDLX-A-66](#) [GDLX-N-66](#) [GDLX-S-66](#) [GDLX-S-88K](#) [GDLX-SMT-S-88](#) [GDTX-S-88-50](#) [GDX-PA-1010](#) [GLX-N-1010M-BLK](#) [GLX-S-88M-BLK](#) [GMX-N-1010](#) [GMX-S-1010](#) [GMX-S-66](#) [GMX-SMT4-N-88](#) [GPX-2-64](#) [GSGX-N-2-88](#) [GSGX-N-4-88](#) [GSX-NS2-88-3.05](#) [GSX-NS2-88-3.05-50](#) [GSX-NS-88-3.05-50](#) [PT-108A-8C-UL](#) [PT-J951-8C](#) [PTS-J531-8CS-50UL](#) [1-1775629-2](#) [A-2014-0-4](#) [GWLX-S-88-GR](#) [GWLX-S9-88-YG](#) [DC-1021-8-WH-6](#) [1300530003](#) [1324640-4](#) [RJ11FTVC2G](#) [RJ11FTVC2N](#) [RJFTVX2SA1G](#) [132764-001](#) [1413235](#) [MP88X-1000](#) [MPS88RX-5000](#) [E5288-S000K3-L](#) [E5908-15A242-L](#)