



**Integrated 10/100 Base-T RJ45  
Through Hole MIC26 Series**

LANDatacom

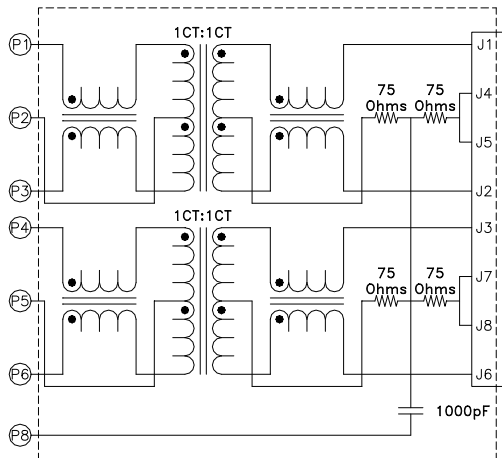
**Electrical Characteristics**

|                       |             |                         |
|-----------------------|-------------|-------------------------|
| Inductance            | 350uH Min.  | 0.1Vrms, 100kHz, 8mA DC |
| Dielectric Rating     | 1500VAC     | for 1 minute            |
| Turns Ratio           | 1CT:1CT     | ±2%                     |
| Insertion Loss        | -1.0dB max. | 1MHz-100MHz             |
| Return Loss           | -18dB min.  | 1MHz-30MHz              |
|                       | -16dB min.  | 30MHz-45MHz             |
|                       | -14dB min.  | 45MHz-60MHz             |
|                       | -12dB min.  | 60MHz-80MHz             |
| Cross Talk            | -35dB min.  | 1MHz-100MHz             |
| Common Mode Rejection | -35dB min.  | 1MHz-100MHz             |

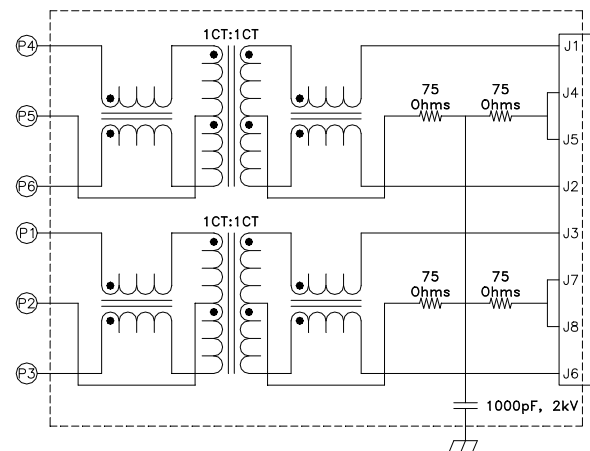
**Features**

- Optional pin-outs and LEDs
- Industry standard connector footprint
- Optimum performance
- Cost effective
- RoHS compliant

| Part Number   | LED (left-right) | Tab Direction | EMI Tabs | Schematic | Mechanical |
|---------------|------------------|---------------|----------|-----------|------------|
| MIC26010-5101 | None             | Down          | Yes      | 1         | 1          |
| MIC26112-0226 | Green-Green      | Up            | Yes      | 2         | 2          |
| 74990111215   | Yellow-Green     | Down          | Yes      | 1         | 1          |
| 74990110013   | None             | Down          | Yes      | 1         | 3          |



**Schematic 1**



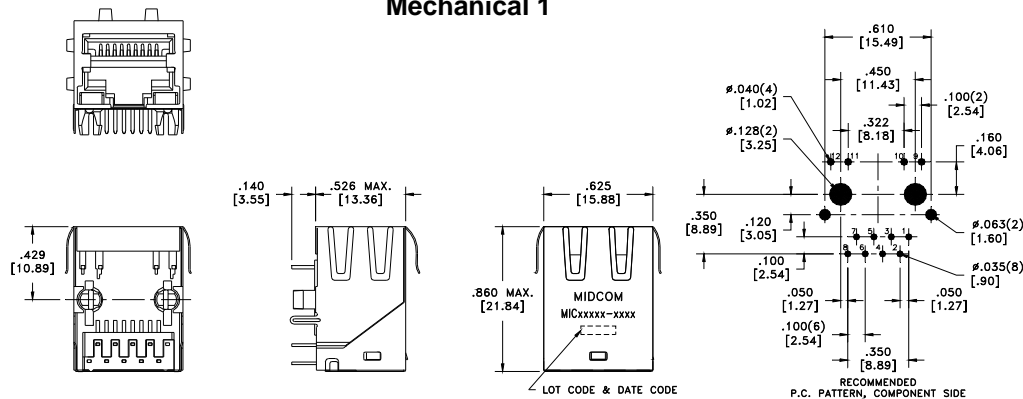
**Schematic 2**



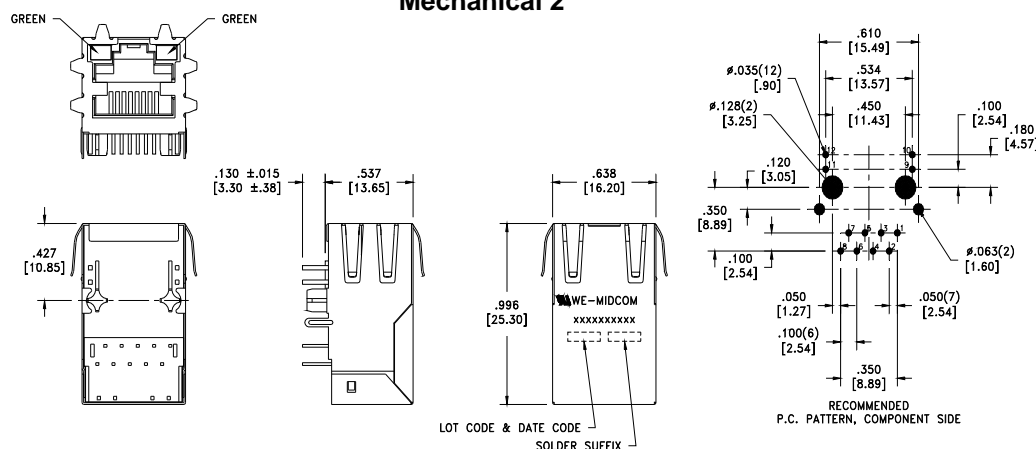
# Integrated 10/100 Base-T RJ45 Through Hole MIC26 Series

LANDatacom

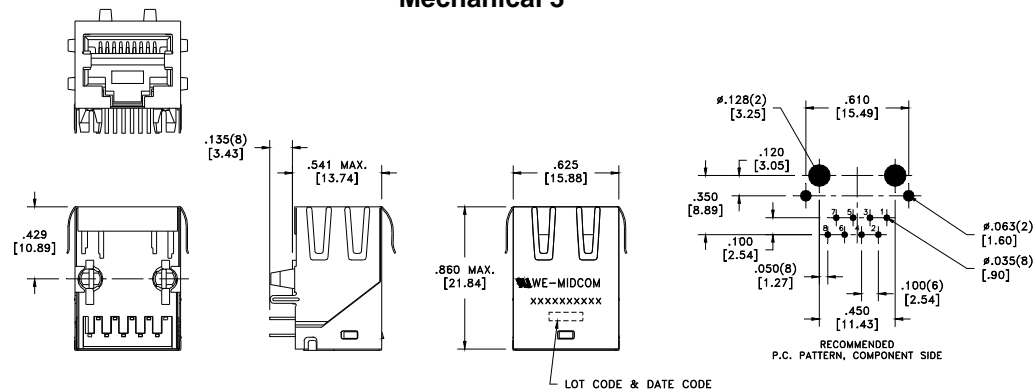
## Mechanical 1



## Mechanical 2



## Mechanical 3



## X-ON Electronics

Largest Supplier of Electrical and Electronic Components

*Click to view similar products for [Modular Connectors / Ethernet Connectors](#) category:*

*Click to view products by [Würth](#) manufacturer:*

Other Similar products are found below :

[8949-H88/06BLKA/SN](#) [74441-0010/BKN](#) [MP1010RX-1000](#) [MP44RX-1000](#) [PHJ-4P4C-1-V-4](#) [PHP-6P6C-5](#) [GAX-3-66](#) [GAX-8-62](#) [GDCX-PA-66-50](#) [GDCX-PN-64](#) [GDCX-PN-66](#) [GDCX-PN-66-50](#) [GDLX-A-66](#) [GDLX-N-66](#) [GDLX-S-66](#) [GDLX-S-88K](#) [GDLX-SMT-S-88](#) [GDTX-S-88-50](#) [GDX-PA-1010](#) [GLX-N-1010M-BLK](#) [GLX-S-88M-BLK](#) [GMX-N-1010](#) [GMX-S-1010](#) [GMX-S-66](#) [GMX-SMT4-N-88](#) [GPX-2-64](#) [GSGX-N-2-88](#) [GSGX-N-4-88](#) [GSX-NS2-88-3.05](#) [GSX-NS2-88-3.05-50](#) [GSX-NS-88-3.05-50](#) [PT-108A-8C-UL](#) [PT-J951-8C](#) [PTS-J531-8CS-50UL](#) [1-1775629-2](#) [A-2014-0-4](#) [GWLX-S-88-GR](#) [GWLX-S9-88-YG](#) [DC-1021-8-WH-6](#) [1300530003](#) [1324640-4](#) [RJ11FTVC2G](#) [RJ11FTVC2N](#) [RJFTVX2SA1G](#) [132764-001](#) [1413235](#) [MP88X-1000](#) [MPS88RX-5000](#) [E5288-S000K3-L](#) [E5908-15A242-L](#)